



A TEREX BRAND

Parts Manual

Serial Number Range

Z-45/25 IC

from SN Z452507A-34011 to
Z452513A-47000

Z-45/25J IC

from SN Z452507B-101 to
Z452513B-3300

Part No. 147545

Rev C3

November 2018

Technical Publications

Genie has endeavored to deliver the highest degree of accuracy possible. However, continuous improvement of our products is a Genie policy. Therefore, product specifications are subject to change without notice.

Readers are encouraged to notify Genie of errors and send in suggestions for improvement. All communications will be carefully considered for future printings of this and all other manuals.

Contact Us:

Internet: www.genielift.com
e-mail: awp.techpub@terex.com

Find a Manual for this Model

Go to <http://www.genielift.com>

Use the links to locate Operator's, Parts, Maintenance, and Service and Repair Manuals.

Copyright © 2009 by Genie Industries

147545 Rev C March 2018
Fifth Edition, Third Printing

"Genie" and "Z" are registered trademarks of Genie Industries in the USA and many other countries.



Printed on recycled paper

Table of Contents

This manual is updated frequently. If you have a printed manual, you can keep it up to date by downloading new figures from the Genie website at www.genielift.com. For the most up-to-date parts information, visit the Parts Lookup System on the Genie website at www.genielift.com.

How to Read Your Serial Number.....	3
Parts Stocking List.....	7
How to Order Parts.....	8
Service Parts Fax Order Form.....	9

Electronic Version

Click on any page number to view the figure.

100 Decals

101.1 Decals with Words.....	10
102.1 Decals with Symbols.....	14

200 Chassis Components

201.1 Steer-End Wheels and Hubs, 4WD Models (to SN Z452512A-43220 and Z452512B-1986).....	16
201.2 Steer-End Wheels and Hubs, 4WD Models (from SN Z452512A-43221 and Z452512B-1987).....	20
202.1 Steer-End Wheels and Hubs, 2WD Models.....	24
203.1 Steer Axle Linkage.....	26
204.1 Steer Axle, Narrow Models.....	28
205.1 Non-steer End Wheels and Hubs (to SN Z452512A-43220 and Z452512B-1986).....	30
205.2 Non-steer End Wheels and Hubs (from SN Z452512A-43221 and Z452512B-1987).....	34
206.1 Non-steer Axle.....	38
207.1 Oscillate Valve (to SN Z452511A-40627 and Z452512B-2296).....	40
207.2 Oscillate Valve (from SN Z452511A-40628 and Z452512B-2297).....	42
208.1 Drive Chassis Counterweight - Narrow Models.....	44

300 Turntable Components

301.1 Turntable Rotator.....	46
302.1 Fuel and Hydraulic Tanks.....	50
303.1 Function Manifold and Ground Control Box Placement.....	52
304.1 Ground Control Box - View 1.....	54
305.1 Ground Control Box - View 2.....	58
306.1 Turntable Covers, Engine Side.....	60
307.1 Turntable Covers, Tank Side.....	62

308.1 Wire Harness Diagram.....	64
---------------------------------	----

400 Engine Components

401.1 Deutz F3L 2011/ D2011L03i Engine - View 1.....	66
402.1 Deutz F3L 2011/ D2011L03i Engine - View 2.....	68
403.1 Perkins 404-22 Engine - View 1.....	72
404.1 Perkins 404-22 Engine - View 2.....	74
405.1 Ford DSG-423 Engine - View 1.....	78
406.1 Ford DSG-423 Engine - View 2.....	80
407.1 Ford DSG-423 Engine - View 3.....	82
408.1 Ford DSG-423 Engine - View 4.....	84
409.1 Engine Tray and Battery.....	86

500 Boom Components

501.1 Boom Pins and Bearings.....	88
502.1 Boom Linkage.....	90
503.1 Upper Pivot Components.....	92
504.1 Primary and Extension Booms (to SN Z452508A-37889 and Z452511B-1718).....	94
504.2 Primary and Extension Booms (from SN Z452508A-37890 and Z452511B-1719).....	96
505.1 Cable Track (to SN Z452508A-37889 and Z452511B-1718).....	98
505.2 Cable Track (from SN Z452508A-37890 and Z452511B-1719).....	100
506.1 Non-Jib Platform Leveling and Rotation, Z-45/25.....	102
507.1 Jib Boom and Platform Leveling (to SN Z452508A-35743 and Z452508B-1360).....	104
507.2 Jib Detail, Z-45/25J (to SN Z452508A-35743 and Z452508B-1360).....	106
507.3 Jib Boom and Platform Leveling (from SN Z452508A-35744 and Z452508B-1361).....	108
508.1 Platform Rotation and Support, Z-45/25J.....	110

600 Platforms

601.1 Platform Configuration.....	112
602.1 Platform Components.....	114
603.1 Platform Control Box - View 1.....	116
604.1 Platform Control Box - View 2.....	120
605.1 Joysticks.....	122

700 Manifolds and Pumps

701.1 2WD Traction Manifold.....	124
702.1 4WD Traction Manifold.....	126
703.1 Function Manifold.....	132
704.1 Jib and Platform Rotate Manifolds.....	136
705.1 Pumps.....	138

800 Hydraulic Hoses and Fittings

801.1 2WD Drive and Steer.....	140
--------------------------------	-----

802.1 2WD Drive and Steer - Narrow Models.....	142
803.1 4WD Drive and Steer System.....	144
804.1 Oscillate System.....	146
805.1 Turntable Components.....	148
806.1 Boom Components, Z-45/25.....	150
807.1 Boom Components, Z-45/25J.....	152

900 Accessories

901.1 Alarm and Beacon Package.....	154
902.1 Platform Options.....	156
904.1 Air Line to Platform.....	158
905.1 Platform Overload Option.....	160
906.1 Hydraulic Generator Option - Gas/LPG Models.....	162
907.1 Hydraulic Hoses and Fittings - Generator Option.....	164
908.1 Belt Driven Generator - Diesel Models.....	166
909.1 Hostile Environment Package - View 1.....	168
910.1 Hostile Environment Package - View 2 (to SN Z452510A-39368).....	170
910.2 Hostile Environment Package - View 2 (from SN Z452510A-39369).....	172
911.1 Hostile Environment Package - Engine Air Pre-cleaners (Deutz).....	174
912.1 Hostile Environment Package - Engine Air Pre-cleaners (Ford).....	176
913.1 Hostile Environment Package - Engine Air Pre-cleaners (Perkins).....	178
914.1 Aircraft Protection Package, Standard (from SN Z452508A-37297).....	180
915.1 Aircraft Protection Package, Deluxe (from SN Z452508A-37297).....	182
916.1 Drive Lights.....	184
917.1 Pipe Cradle.....	186
918.1 Fall Arrest Bar.....	188
919.1 Gauge Option.....	190
920.1 Panel Cradle Option.....	192

Indices

Part Number Index.....	194
Part Description Index.....	200

Cross References

Fittings Cross Reference.....	210
-------------------------------	-----

Required Parts

The following parts are required to perform maintenance procedures as outlined in the Genie Z-45/25 and Z-45/25J Service Manual.

All Models:

Description	Part No.
Plug and Cap Kit (for ORFS Fittings).....	49613
Hydraulic Tank Filter Element Kit.....	77353
High and Medium Pressure Filter Element.....	60857
Wheel Lug Nuts	54627
Lithium Based Grease.....(source locally)	
Dielectric Grease.....	66399
Drive Hub Oil (refer to service manual) ...(source locally)	

Perkins 404-22 Models:

Description	Part No.
Air Filter Element.....	62420
Fuel/water Separator Element.....	62433
Engine Oil Filter	94762
V-belt	89765
Fuel Filter.....	72346

Deutz F3L-2011 Models:

Description	Part No.
Air Filter	27916
Fuel/water Separator Element.....	29560
Engine Oil Filter	49924
V-belt	32698

Ford DSG-423 EFI Models:

Description	Part No.
Fuel Pre-Filter	119984
Fuel Sensor Assembly.....	119491
Engine Oil Filter	119139
Air Filter Element.....	77295
Serpentine Belt	119138
PCV Valve.....	119474
Spark Plug	119495

Recommended Parts

Description	Part No.
Genie Blue Paint, 1 Gallon	32150
Genie Blue Paint, 12 Ounce Aerosol.....	1484
Genie Gray Paint, 1 Gallon.....	32151
Genie Gray Paint, 12 Ounce Aerosol	1268
Plug and Cap Kit (for ORFS fittings).....	49613

Manuals

Genie Industries offers the following support documents for these models:

Title	Part No.
EMI Safety Manual	27581
Manual of Responsibilities ANSI A92.5.....	31779

How To Order Parts

How to Order Parts

Please be prepared with the following information when ordering replacement parts for your Terex or Genie product.

- Machine model number
- Machine serial number
- Part number
- Part description and quantity
- Purchase order number
- "Ship to" address
- Desired method of shipment
- Name and telephone number of the authorized distributor in your area.

Use the Service Parts Fax Order Form on the next page and fax your order to our Parts Department.

If you don't know the name of your authorized distributor, or if your area is not currently serviced by an authorized distributor, please call Terex or Genie Industries.

Machine Information

Model

Serial Number

Date of Purchase

Authorized Genie Distributor

Phone Number

North America

Telephone (425)881-1800
 Toll Free (800)536-1800 in US and Canada
 Fax (425)556-8659
 Toll Free fax (888)274-6192
 Email AWP.PartsSalesPO@terex.com
<http://genielift.com/en>

EMEAR (Europe, Middle East, Africa and Russia)

Telephone (31)(165)519 313
 Fax (31)(165)511 148
<http://genielift.co.uk>

Asia Pacific (Genie Singapore)

Telephone +65 6692 7777
 Fax +65 6261 8893
<http://genielift.com.sg/>

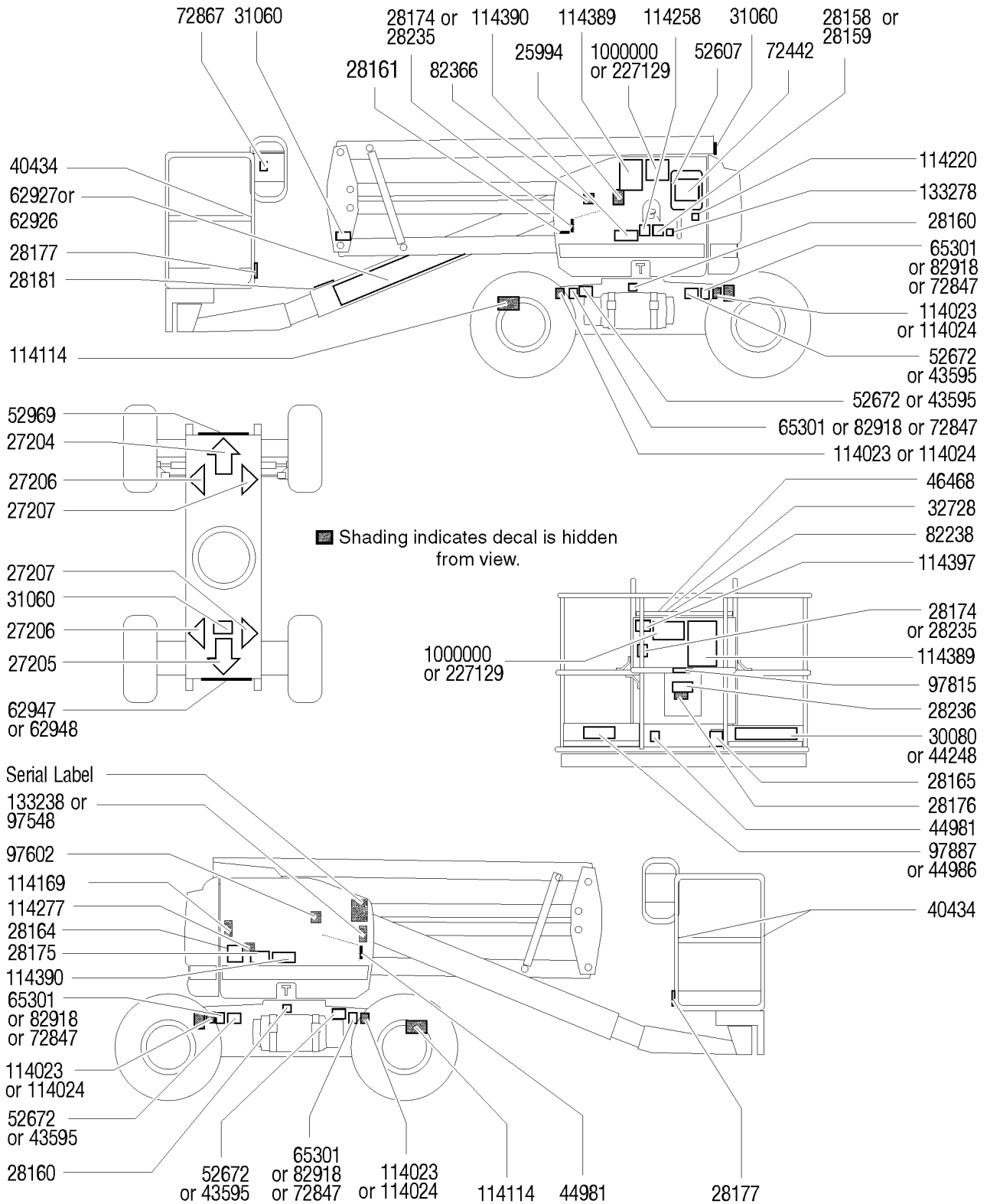
Australia

Telephone (61)(7)3456 4444
 Fax (61)(7)3456 4466
<http://genielift.com.au>

South America

Telephone (55)(11)4082 5600
 Fax (55)(11)4082 5630

101.1 Decals with Words



101.1 Decals with Words

Item	Part No.	Description	Qty.	Item	Part No.	Description	Qty.
A	162235GT	DECAL KIT,Z45IC PLAT,WORD,ANSI from SN Z452507-33971 to Z452513A-47000, from Z452507B-101 to Z452513B-3300, from Z452513D-101		11	28165GT	DECAL,INSTRUCT,FOOTSWITCH OPER.....	1
B	162236GT	DECAL KIT,Z45IC COMP,WORD,ANSI from SN Z452507-33971 to Z452513A-47000, from Z452507B-101 to Z452513B-3300, from Z452513D-101		12	28174GT	DECAL, POWER TO PLATFORM 230V**.....	2
C	162315GT	DECAL KIT,Z45JIC COMP,WRD,ANSI from SN Z452507-33971 to Z452513A-47000, from Z452507B-101 to Z452513B-3300, from Z452513D-101		13	28175GT	DECAL,WARNING-COMPART ACCESS.....	1
D	162343GT	DECAL KIT,Z45IC PLAT,WRD,AUST from SN Z452507-33971 to Z452511A-40559, from Z452507B-101 to Z452511B-1725		14	28176GT	DECAL,LABEL,MANUAL NOT HERE.....	1
E	162314GT	DECAL KIT,Z45JIC PLAT,WRD,ANSI from SN Z452507-33971 to Z452513A-47000, from Z452507B-101 to Z452513B-3300, from Z452513D-101		15	28177GT	DECAL,WARN,CRUSH HAZARD PLAT.....	2
F	162344GT	DECAL KIT,Z45IC COMP,WRD,AUST from SN Z452507-33971 to Z452511A-40559, from Z452507B-101 to Z452511B-1725		16	28181GT	DECAL,WARN,FALL HAZARD.....	1
G	162348GT	DECAL KIT,Z45JIC COMP,WRD,AUST from SN Z452507-33971 to Z452511A-40559, from Z452507B-101 to Z452511B-1725		17	28235GT	DECAL,POWER TO PLATFORM 115V...2	
H	162237GT	DECAL KIT,Z45IC PLAT,WORD,AUST from SN Z452511A-40560 to Z452513A-47000, from Z452511B-1726 to Z452513B-3300, from Z452513D-101		18	28236GT	DECAL,WARN,IMPROPER OPERATION.....	1
J	162238GT	DECAL KIT,Z45IC COMP,WORD,AUST from SN Z452511A-40560 to Z452513A-47000, from Z452511B-1726 to Z452513B-3300, from Z452513D-101		19	30080GT	DECAL,NOTICE,MAX LOAD 500 LBS....1	
K	162317GT	DECAL KIT,Z45JIC COMP,WRD,AUST from SN Z452507-33971 to Z452513A-47000, from Z452507B-101 to Z452513B-3300, from Z452513D-101		20	31060GT	DECAL,DANGER DO NOT ALTER SWTC.....	3
1	25994GT	DECAL,NOTICE,SHUTOFF VALVES.....	1	21	32728GT	DECAL,OPTION GENERATOR***.....	1
2	27204GT	DECAL,ARROW BLUE.....	1	22	40434GT	DECAL,LANYARD ANCHORAGE POINT.....	8
3	27205GT	DECAL,ARROW YELLOW LRG 9".....	1	23	43595GT	DECAL,DANGER,TIP-OVER, TIRES***...4	
4	27206GT	DECAL,TRIANGLE,BLUE.....	2	24	44248GT	DECAL,NOTICE,MAX CAP 440 LBS	
5	27207GT	DECAL,TRIANGLE,YELLOW.....	2	25	44981GT	DECAL,LABEL, AIR LINE 110 PSI.....	2
6	28158GT	DECAL,LABEL,UNLEADED GAS ONLY.....	1	26	44986GT	DECAL,INSTR,SIDE FRC/WIND,AUS.....	1
7	28159GT	DECAL,DIESEL.....	1	27	46468GT	DECAL,FUNCTION OVERRIDE.....	1
8	28160GT	DECAL,LABEL,LIQUID PROPANE.....	2	28	52607GT	DECAL,LABEL,TEST***.....	1
9	28161GT	DECAL,WARN,CRUSH HAZARD HAND.....	3	29	52672GT	DECAL,DANGER,TIPOVER HAZARD***.....	4
10	28164GT	DECAL,NOTICE,HAZARDOUS MAT'LS*.....	1	30	52969GT	DECAL,COSMETIC,GENIE BOOM,HORZ.....	1
				31A	62927GT	DECAL,COSMETIC,GENIE Z-45/25.....	1
				31B	62926GT	DECAL,COSMETIC,GENIE Z-45/25J.....	1
				32	62947GT	DECAL,COSMETIC,IC POWER 4 X 2.....	1
				33	62948GT	DECAL,COSMETIC,IC POWER 4 X 4.....	1
				34	65301GT	DECAL,NOTICE,FOAM-FILLED TIRES.....	4
				35	72442GT	DECAL, GROUND CONTROL PANEL....	1
				36	72847GT	DECAL,NOTICE,HI FLOAT TIRES	
				37	72867GT	DECAL,LABEL,LIGHTS***.....	1
						option	
				38	82238GT	DECAL,PLATFORM CONTROL PANEL.....	1
				39	82366GT	DECAL,CHEVRON RANDO HD.....	1
				40	82918GT	DECAL,NOTICE, TIRE SPECS.....	4
				41	97548GT	DECAL,ENGINE SPEC,DEUTZ 2011.....	1
						Deutz models only	
				42	97602GT	DECAL,EXPLOSION HAZARD.....	1
				43	97815GT	DECAL,LABEL,LOWER MIDRAIL	

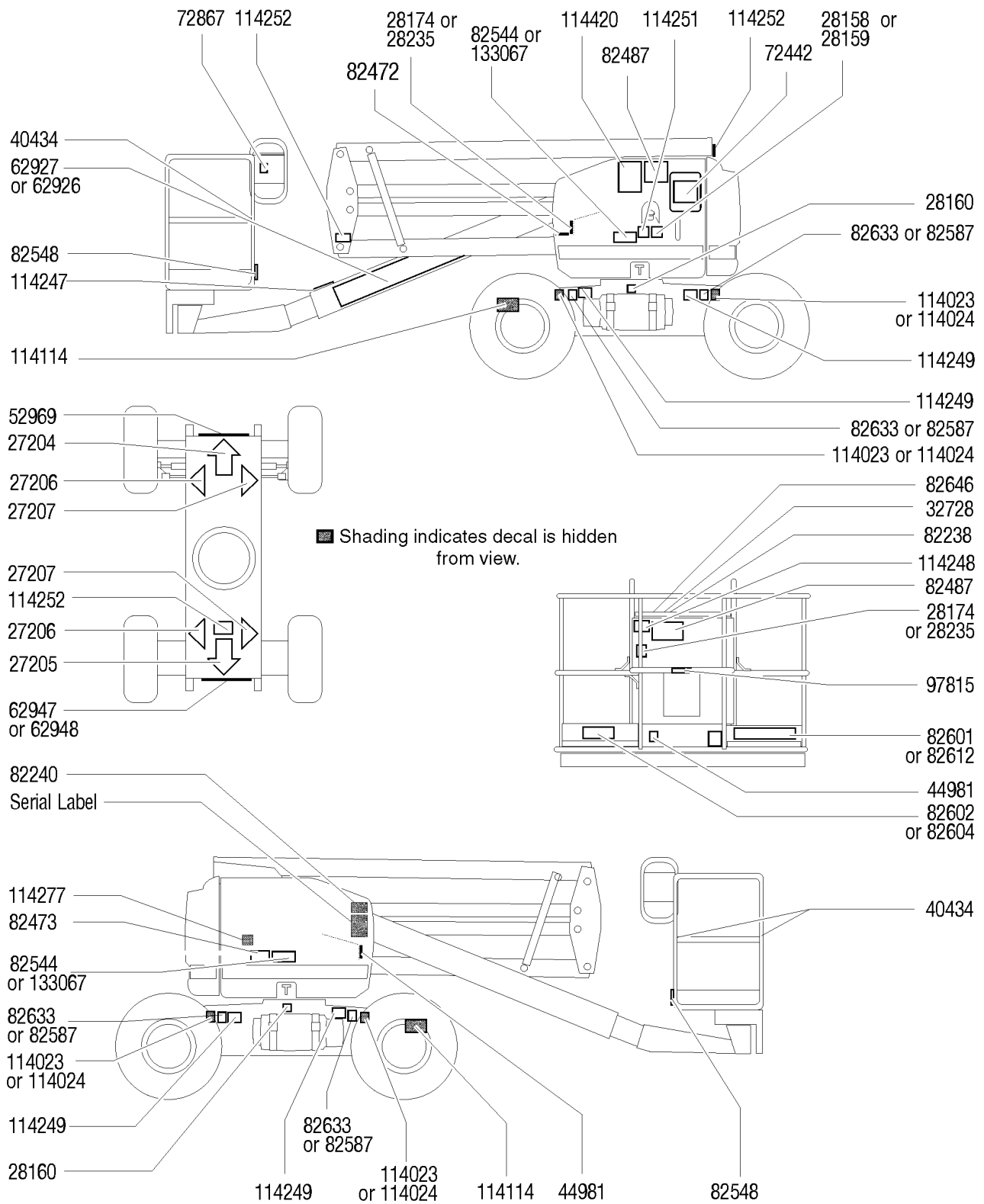


101.1 Decals with Words (continued)

Item	Part No.	Description	Qty.
44	97887GT	DECAL, INSTR, MAX SIDE FRC, ANSI.....1	
45	114389GT	DECAL, DANGER, GENERAL SAFETY....2	
46A	114023GT	DECAL, LABEL, WHEEL LOAD Z4525....4	
46B	114024GT	DECAL, LABEL, WHEEL LOAD Z4525J...4	
47	114114GT	DECAL, LABEL, TRANSPORT.....2	
48	114169GT	DECAL, FORD ENGINE SPEC DSG423.....1 <i>Ford models only</i>	
49	114220GT	DECAL, LABEL, RELAYS, Z45IC, Z51.....1	
50	114258GT	DECAL, DANGER, NO SMOKING.....1	
51	114390GT	DECAL, DANGER, ELECT HAZARD***....2	
53	114397GT	DECAL, DANGER, TILT ALARM.....1	
54	114277GT	DECAL, LABEL, BELT ROUTING DSG....1 <i>Ford models only</i>	
55	133238GT	DECAL, ENGINE SPEC, PERKINS***1 <i>Perkins models only</i>	
56	133278GT	DECAL, LOW/ULTRA LOW SULFR FUEL.....1	
57	1000000GT	DECAL, NOTICE, OPER INST. IXC.....2 <i>for ANSI Models</i>	
58A	1000000GT	DECAL, NOTICE, OPER INST. IXC.....2 <i>for Australia models to SN Z452511A-40559 and to Z452511B-1725</i>	
58B	227129GT	DECAL, OPER INST, Z45/Z51 IC AUS <i>for Australia models from SN Z452511A-40560 and from Z452511B-1726</i>	

This Page Intentionally Left Blank

102.1 Decals with Symbols

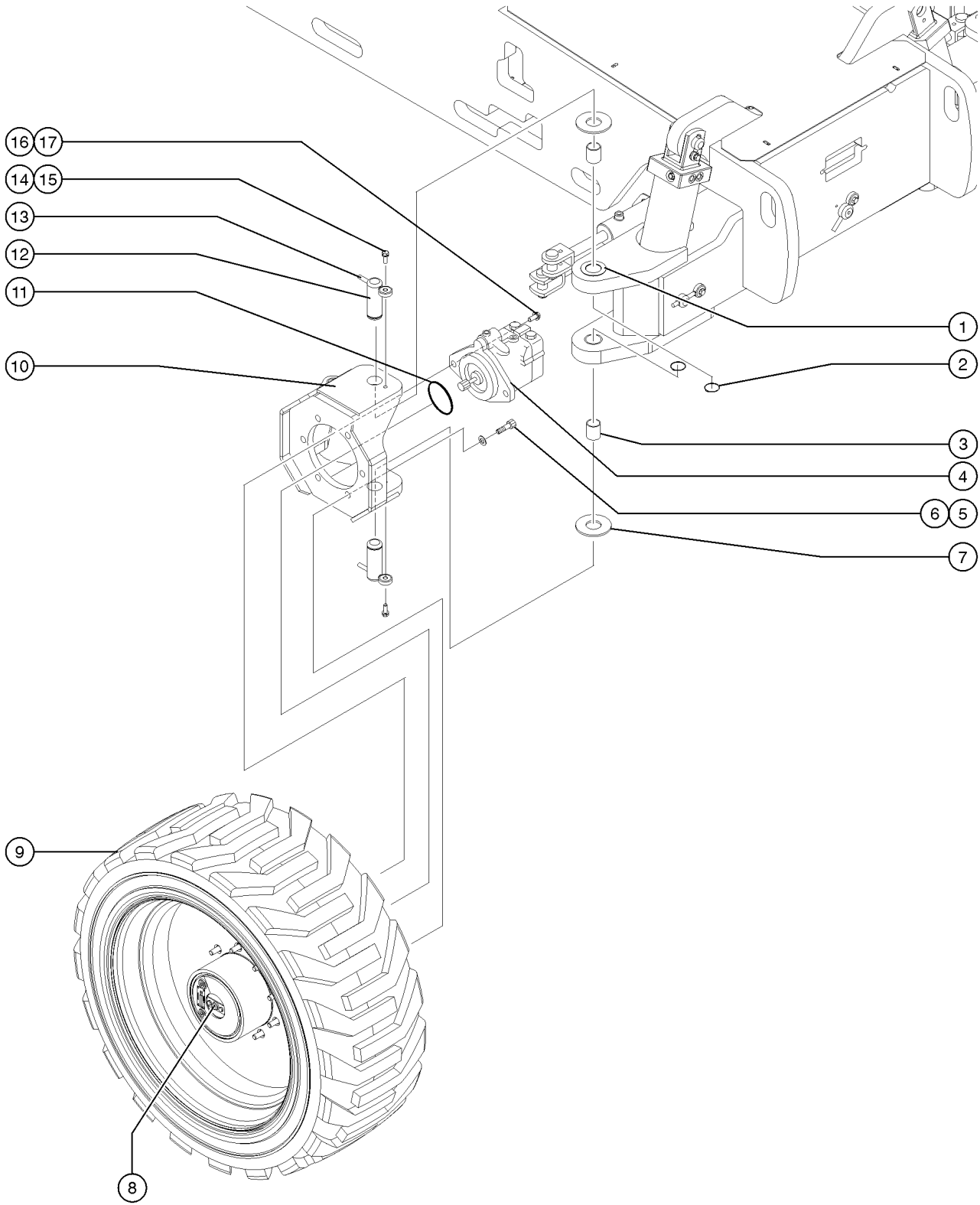


102.1 Decals with Symbols

Item	Part No.	Description	Qty.	Item	Part No.	Description	Qty.
A	162241GT	DECAL KIT,Z45IC PLAT,SYM,ANSI from SN Z452507-33971 to Z452513A-47000 and from Z452507B-101 to Z452513B-3300 and from Z452513D-101		19	82238GT	DECAL,PLATFORM CONTROL PANEL.....	1
B	162442GT	DECAL KIT,Z51JIC COMP,WRD,AUST from SN Z452507-33971 to Z452513A-47000 and from Z452507B-101 to Z452513B-3300 and from Z452513D-101		20	82240GT	DECAL,LABEL,105 DB.....	1
C	162319GT	DECAL KIT,Z45JIC COMP,SYM,ANSI from SN Z452507-33971 to Z452513A-47000 and from Z452507B-101 to Z452513B-3300 and from Z452513D-101		21	82472GT	DECAL,WARNING,CRUSHING HAZARD.....	3
D	162254GT	DECAL KIT,Z45IC PLAT,SYM,CE from SN Z452507-33971 to Z452513A-47000 and from Z452507B-101 to Z452513B-3300 and from Z452513D-101		22	82473GT	DECAL,SYMBOL-COMP ACCESS.....	1
E	162255GT	DECAL KIT,Z45IC COMP,SYM,CE from SN Z452507-33971 to Z452513A-47000 and from Z452507B-101 to Z452513B-3300 and from Z452513D-101		23	82487GT	DECAL, SYMBOL - READ THE MANUAL.....	2
F	162321GT	DECAL KIT,Z45JIC COMP,SYM,CE		24	82544GT	DECAL,DANGER,ELEC.HAZ.STAY CLR.....	3
1	27204GT	DECAL,ARROW BLUE.....	1	24A	82544GT	DECAL,DANGER,ELEC.HAZ.STAY CLR.....	3
2	27205GT	DECAL,ARROW YELLOW LRG 9".....	1	24B	133067GT	DECAL,DANGER,ELEC.HAZ.STAY CLR	
3	27206GT	DECAL,TRIANGLE,BLUE.....	2	25	82548GT	DECAL,WARN,CRUSH HAZARD PLAT.....	2
4	27207GT	DECAL,TRIANGLE,YELLOW.....	2	26	82587GT	DECAL,HIFLOT TIRE PRESS,S40/45.....	4
5	28158GT	DECAL,LABEL,UNLEADED GAS ONLY.....	2	27	82601GT	DECAL,LABEL,MAX CAPACITY***.....	1
6	28159GT	DECAL,DIESEL.....	2	28	82602GT	DECAL,DANGER,MAX SIDE FRC,667N.....	1
7	28160GT	DECAL,LABEL,LIQUID PROPANE.....	1	29	82604GT	DECAL,DANGER,SIDE FRC 400N.....	1
8	28174GT	DECAL, POWER TO PLATFORM 230V**.....	2	30	82612GT	DECAL,DANGER,MAX CAP,200KG.....	1
9	28235GT	DECAL,POWER TO PLATFORM 115V.....	2	31	82633GT	DECAL,LABEL,TIRE PRESS Z45RT.....	4
10	32728GT	DECAL,OPTION GENERATOR***.....	1	32	82646GT	DECAL,DRIVE ENABLE PATCH.....	1
11	40434GT	DECAL,LANYARD ANCHORAGE POINT.....	3	33	97815GT	DECAL,LABEL,LOWER MIDRAIL.....	1
12	44981GT	DECAL,LABEL, AIR LINE 110 PSI.....	2	34A	114023GT	DECAL,LABEL,WHEEL LOAD Z4525.....	4
13	52969GT	DECAL,COSMETIC,GENIE BOOM,HORZ.....	1	34B	114024GT	DECAL,LABEL,WHEEL LOAD Z4525J... Z-45/25J	4
14A	62927GT	DECAL,COSMETIC,GENIE Z-45/25.....	1	35	114114GT	DECAL,LABEL,TRANSPORT.....	2
14B	62926GT	DECAL,COSMETIC,GENIE Z-45/25J.....	1	36	114247GT	DECAL,LABEL,FALL HAZARD***.....	1
15	62947GT	DECAL,COSMETIC,IC POWER 4 X 2.....	1	37	114248GT	DECAL,LABEL,TIPOVER,TILT AL SY.....	1
16	62948GT	DECAL,COSMETIC,IC POWER 4 X 4.....	1	38	114249GT	DECAL,LABEL,TIPOVER,TIRES,SYMB.4	
17	72442GT	DECAL, GROUND CONTROL PANEL....	1	39	114251GT	DECAL,LABEL,NO SMOKING,SYMB.....	2
18	72867GT	DECAL,LABEL,LIGHTS***.....	1	40	114252GT	DECAL,LABEL,TIP OVER LMT SWTCH.....	3
				41	114277GT	DECAL,LABEL,BELT ROUTING DSG.....	1
				42	114420GT	DECAL,EMERGENCY LOWERING IC....	1



201.1 Steer-End Wheels and Hubs, 4WD Models (to SN Z452512A-43220 and Z452512B-1986)



201.1 Steer-End Wheels and Hubs, 4WD Models (to SN Z452512A-43220 and Z452512B-1986)

Item	Part No.	Description	Qty.	Item	Part No.	Description	Qty.
1	18596GT	WASHER,FLAT,1.56 X 2.5 X .061		--	139968GT	O-RING,END COVER,OMNI*** for 229763	
2	825796GT	SNAP RING,EXTERNAL,1.50,ZAG		--	147034GT	PIPE PLUG KIT,OMNI*** for 229763	
3	45071GT	BEARING,1.5IDX1.75ODX1.5L.....2		--	229833GT	BEARING KIT, OMNI for 229763	
4	33432GT	MOTOR,HYD,25CC FIXED***.....2		--	229834GT	SEAL KIT, OMNI for 229763	
--	32675GT	SEAL KIT,SUNSTRAND		--	58531GT	ORING,568-908 N552-90 NBR,10PK for 229763	
5	19418GT	SCREW,SHC,5/8-11 X 1.75.....6		9A	94656GT	WHEEL & TIRE ASSY,RR/LF,AIR.....2 RT, Air-filled, left	
6	13064GT	WASHER,FLAT,.625 HARDENED.....6		--	88728GT	TIRE,355/55D625 for 94656, 94657	
7	45074GT	WASHER,THRUST,1.5 X 3.5 X .187		--	94660GT	WHEEL 24.5X11.75-9 HOLE for 94656, 94657	
8A	20193GT	TORQUE HUB,35:1***.....2 <i>Type: FAIRFIELD. Visually identify which hub before ordering parts. ID tag is on end cover cap. Hubs are not interchangeable, internal components are different for each type. All four hubs must be the same to avoid damage.</i>		9B	94657GT	WHEEL & TIRE ASSY,LR/RF,AIR RT, Air-filled, right	
--	1286606GT	SEAL KIT,TORQUE HUB (20193) for 20193		--	88728GT	TIRE,355/55D625 for 94656, 94657	
--	1286607GT	BEARING KIT,TORQUE HUB (20193) for 20193		--	94660GT	WHEEL 24.5X11.75-9 HOLE for 94656, 94657	
--	21143GT	BEARING KIT (45553) TORQUE HUB for 20193 (inventory limited to stock on hand as component is no longer available)		9C	94666GT	WHEEL & TIRE ASSY,RR/LF,AIR,NM RT, Air-filled, Non-marking, left	
--	21144GT	CAP,DISENGAGE-45553 TORQUE HUB for 20193		9C	94667GT	WHEEL & TIRE ASSY,LR/RF,AIR,NM RT, Air-filled, Non-marking, right	
--	21145GT	DISCONNECT ROD-45553 TQ.HUB for 20193		--	94536GT	TIRE,355/55D625,14 PLY,NM for 94666, 94667	
--	21146GT	COVER CAP,TORQUE HUB*** for 20193		--	94660GT	WHEEL 24.5X11.75-9 HOLE for 94666, 94667	
--	21148GT	WASHER,THRUST,TORQUE HUB for 20193		9D	94662GT	WHEEL & TIRE ASSY,RR/LF,FF RT, Foam-filled, left	
--	21149GT	LUG,WHEEL STUD,5/8-18,W1/4HB** for 20193		9D	94663GT	WHEEL & TIRE ASSY,LR/RF,FF RT, Foam-filled, right	
--	37097GT	O-RING, TORQUE HUB for 20193		9E	94670GT	WHEEL & TIRE ASSY,RR/LF,FF,NM RT, Foam-filled, Non-marking, left	
--	58438GT	KIT,COVER,TORQUE HUB,45553*** for 20193		9E	94671GT	WHEEL & TIRE ASSY,LR/RF,FF,NM RT, Foam-filled, Non-marking, right	
--	58589GT	THRUST CAP (20193) for 20193		9F	110712GT	TIRE/WHEEL ASSY,RT W/SEALANT RT, Air-filled, with sealant, right	
8B	229763GT	WHEEL DRIVE, NON BRAKE, 35.9:1 <i>Type: OMNI. Visually identify which hub before ordering parts. ID tag is on end cover cap. Hubs are not interchangeable, internal components are different for each type. All four hubs must be the same to avoid damage.</i>		9F	110713GT	TIRE/WHEEL ASSY,RT W/SEALANT RT, Air-filled, with sealant, left	
--	139965GT	WHEEL STUD,5/8-18,OMNI*** for 229763		9G	110718GT	TIRE/WHEEL ASSY,RT NM W/SEALAN RT, Air-filled, Non-marking, with sealant, right	
--	139966GT	ROD,DISCONNECT,OMNI*** for 229763		9G	110719GT	TIRE/WHEEL ASSY,RT NM W/SEALAN RT, Air-filled, Non-marking, with sealant, left	
--	139967GT	CAP,DISENGAGE,OMNI*** for 229763		10A	52705-SGT	YOKE ASSY,RH,4WD,Z45/25,IC.....1	
				--	25817GT	BEARING,1.00IDX1.25ODX1.00L	
				10B	52704-SGT	YOKE ASSY,LH,4WD,Z45/25,IC.....1	

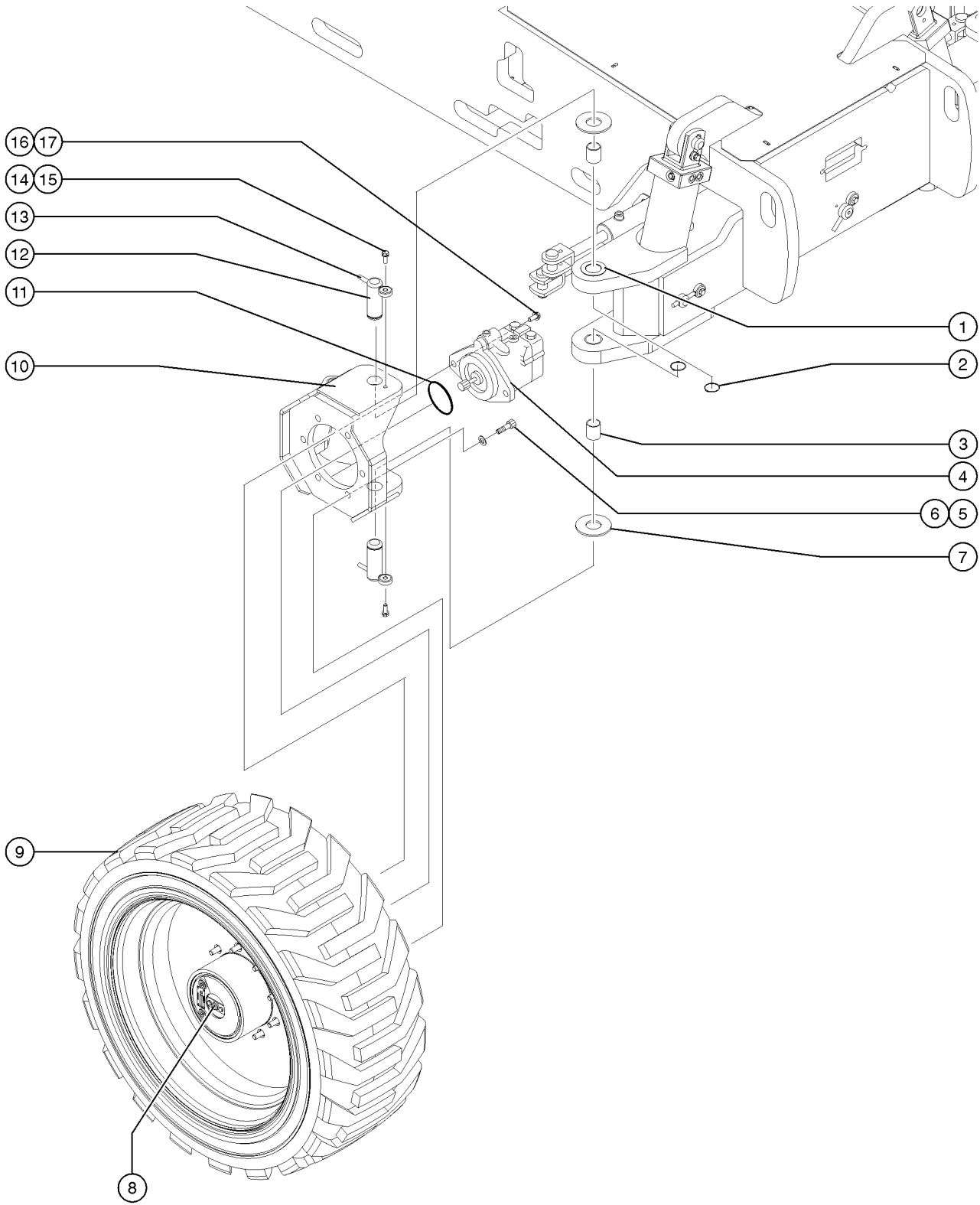
201.1 Steer-End Wheels and Hubs, 4WD Models (to SN Z452512A-43220 and Z452512B-1986)
(continued)

Item	Part No.	Description	Qty.
--	25817GT	BEARING,1.00IDX1.25ODX1.00L	
10C		Ref. Steer Yoke, 2WD (refer to 203.1)	
11	52087GT	O-RING,2-044 BUNA***	
12	88752GT	PIN,1.50DIA X 4.25LG,GR/H.....	4
13	825019GT	ROD END,.375 X 3.69,ZAG.....	4
14	6175GT	SCREW,HHC,3/8-16 X 1	
15	6021GT	WASHER,LOCK,.375	
16	22788GT	SCREW,HHC,1/2-13 X 1.75	
17	6033GT	WASHER,LOCK,0.5"	

201.1 Steer-End Wheels and Hubs, 4WD Models (to SN Z452512A-43220 and
Z452512B-1986)
(continued)

This Page Intentionally Left Blank

201.2 Steer-End Wheels and Hubs, 4WD Models (from SN Z452512A-43221 and Z452512B-1987)



201.2 Steer-End Wheels and Hubs, 4WD Models (from SN Z452512A-43221 and Z452512B-1987)

Item	Part No.	Description	Qty.	Item	Part No.	Description	Qty.
1	18596GT	WASHER,FLAT,1.56 X 2.5 X .061		--	139968GT	O-RING,END COVER,OMNI*** for 229763	
2	825796GT	SNAP RING,EXTERNAL,1.50,ZAG		--	147034GT	PIPE PLUG KIT,OMNI*** for 229763	
3	45071GT	BEARING,1.5IDX1.75ODX1.5L		--	229833GT	BEARING KIT, OMNI for 229763	
4	33432GT	MOTOR,HYD,25CC FIXED***	2	--	229834GT	SEAL KIT, OMNI for 229763	
--	32675GT	SEAL KIT,SUNSTRAND		--	58531GT	ORING,568-908 N552-90 NBR,10PK for 229763	
5	19418GT	SCREW,SHC,5/8-11 X 1.75	12	9	94656GT	WHEEL & TIRE ASSY,RR/LF,AIR.....2 RT, Air-filled, right	
6	13064GT	WASHER,FLAT,.625 HARDENED	12	9	94657GT	WHEEL & TIRE ASSY,LR/RF,AIR RT, Air-filled, left	
7	45074GT	WASHER,THRUST,1.5 X 3.5 X .187		9A	88728GT	TIRE,355/55D625 for 94656, 94657	
8A	20193GT	TORQUE HUB,35:1*** <i>Type: FAIRFIELD. Visually identify which hub before ordering parts. ID tag is on end cover cap. Hubs are not interchangeable, internal components are different for each type. All four hubs must be the same to avoid damage.</i>	2	9A	94660GT	WHEEL 24.5X11.75-9 HOLE for 94656, 94657	
--	1286606GT	SEAL KIT,TORQUE HUB (20193) for 20193		9B	94666GT	WHEEL & TIRE ASSY,RR/LF,AIR,NM RT, Air-filled, Non-marking, right	
--	1286607GT	BEARING KIT,TORQUE HUB (20193) for 20193		9B	94667GT	WHEEL & TIRE ASSY,LR/RF,AIR,NM RT, Air-filled, Non-marking, left	
--	21143GT	BEARING KIT (45553) TORQUE HUB for 20193 (inventory limited to stock on hand as component is no longer available)		--	94536GT	TIRE,355/55D625,14 PLY,NM for 94666, 94667	
--	21144GT	CAP,DISENGAGE-45553 TORQUE HUB for 20193		--	94660GT	WHEEL 24.5X11.75-9 HOLE for 94666, 94667	
--	21145GT	DISCONNECT ROD-45553 TQ.HUB for 20193		9C	94662GT	WHEEL & TIRE ASSY,RR/LF,FF RT, Foam-filled, right	
--	21146GT	COVER CAP,TORQUE HUB*** for 20193		9C	94663GT	WHEEL & TIRE ASSY,LR/RF,FF RT, Foam-filled, left	
--	21148GT	WASHER,THRUST,TORQUE HUB for 20193		9D	94670GT	WHEEL & TIRE ASSY,RR/LF,FF,NM RT, Foam-filled, Non-marking, right	
--	21149GT	LUG,WHEEL STUD,5/8-18,W1/4HB** for 20193		9D	94671GT	WHEEL & TIRE ASSY,LR/RF,FF,NM RT, Foam-filled, Non-marking, left	
--	37097GT	O-RING, TORQUE HUB for 20193		9E	110712GT	TIRE/WHEEL ASSY,RT W/SEALANT RT, Air-filled, with sealant, left	
--	58438GT	KIT,COVER,TORQUE HUB,45553*** for 20193		9E	110713GT	TIRE/WHEEL ASSY,RT W/SEALANT RT, Air-filled, with sealant, right	
--	58589GT	THRUST CAP (20193) for 20193		9F	110718GT	TIRE/WHEEL ASSY,RT NM W/SEALAN RT, Air-filled, Non-marking, with sealant, left	
8B	229763GT	WHEEL DRIVE, NON BRAKE, 35.9:1 <i>Type: OMNI. Visually identify which hub before ordering parts. ID tag is on end cover cap. Hubs are not interchangeable, internal components are different for each type. All four hubs must be the same to avoid damage.</i>		9F	110719GT	TIRE/WHEEL ASSY,RT NM W/SEALAN RT, Air-filled, Non-marking, with sealant, right	
--	139965GT	WHEEL STUD,5/8-18,OMNI*** for 229763		10A	52705-SGT	YOKE ASSY,RH,4WD,Z45/25,IC.....1	
--	139966GT	ROD,DISCONNECT,OMNI*** for 229763		10B	52704-SGT	YOKE ASSY,LH,4WD,Z45/25,IC.....1	
--	139967GT	CAP,DISENGAGE,OMNI*** for 229763		--	25817GT	BEARING,1.00IDX1.25ODX1.00L	
				11	52087GT	O-RING,2-044 BUNA***	2
				12	88752GT	PIN,1.50DIA X 4.25LG,GR/H	4
				13	825019GT	ROD END,.375X3.69,ZAG	4

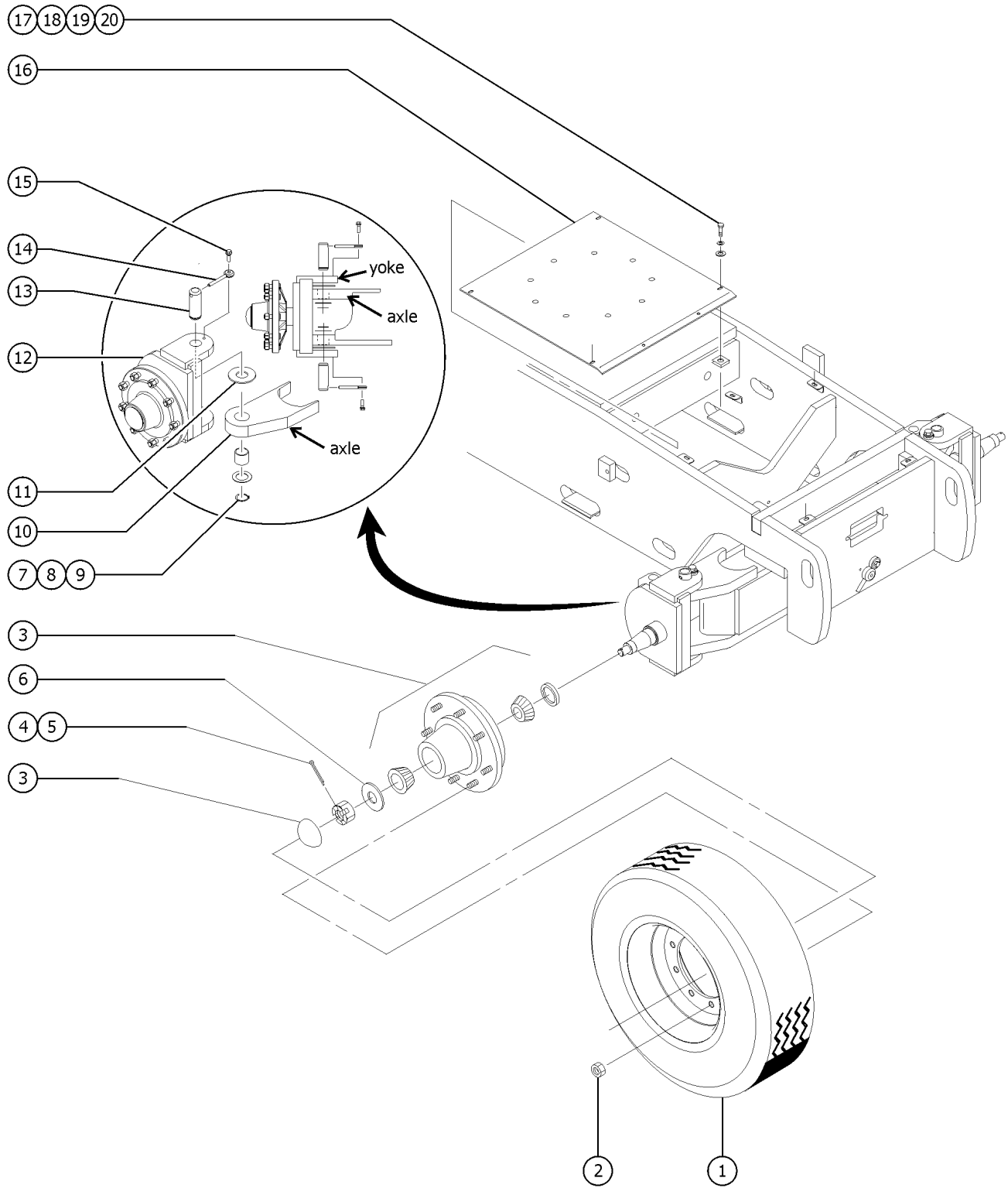
201.2 Steer-End Wheels and Hubs, 4WD Models (from SN Z452512A-43221 and
Z452512B-1987)
(continued)

Item	Part No.	Description	Qty.
14	6175GT	SCREW,HHC,3/8-16 X 1	
15	6021GT	WASHER,LOCK,.375	
16	22788GT	SCREW,HHC,1/2-13 X 1.75	
17	6033GT	WASHER,LOCK,0.5"	

201.2 Steer-End Wheels and Hubs, 4WD Models (from SN Z452512A-43221 and
Z452512B-1987)
(continued)

This Page Intentionally Left Blank

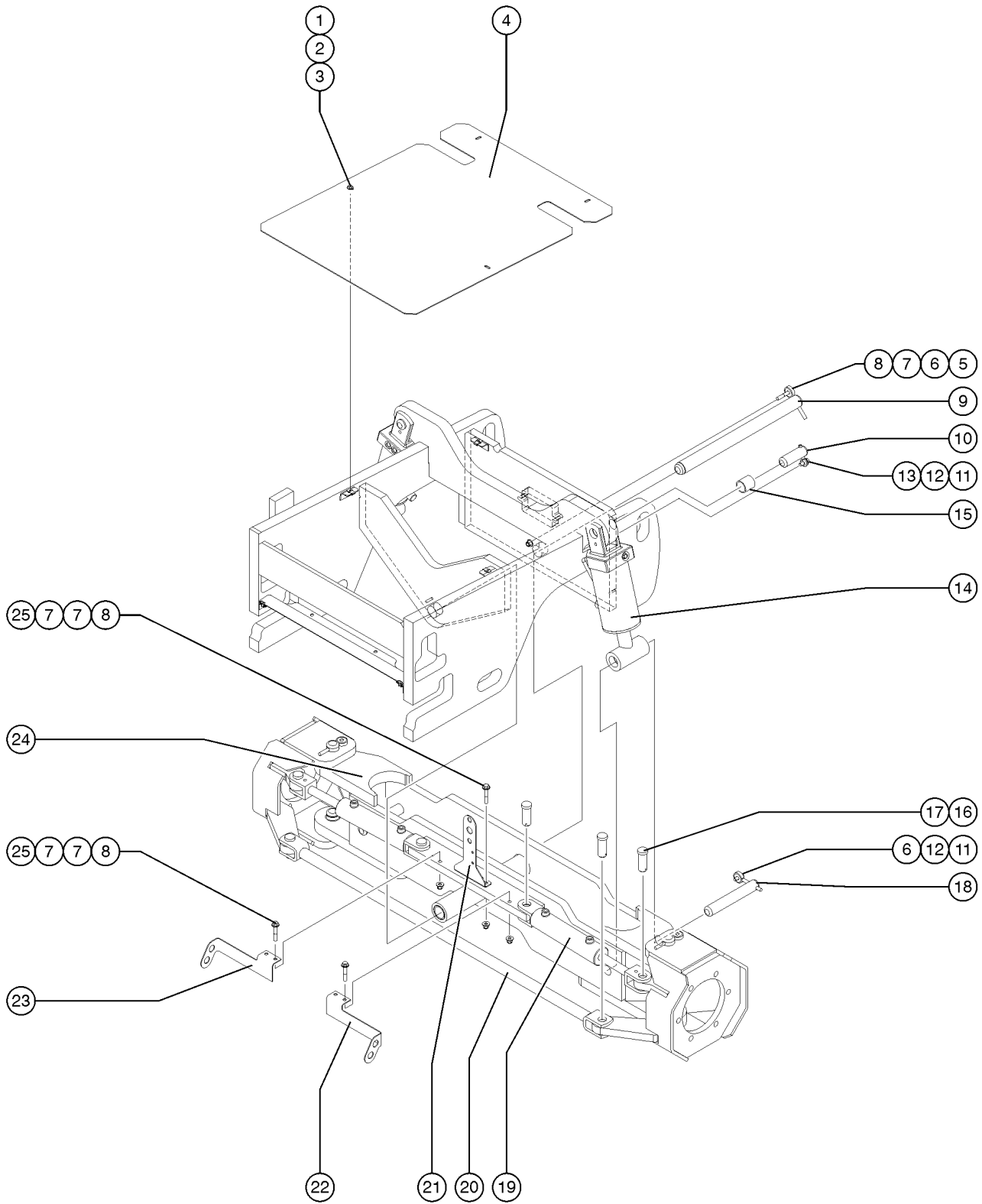
202.1 Steer-End Wheels and Hubs, 2WD Models



202.1 Steer-End Wheels and Hubs, 2WD Models

Item	Part No.	Description	Qty.	Item	Part No.	Description	Qty.
1	1267779GT	TIRE/WH ASSY,9 LG,FOAM,S FRONT...2 <i>Narrow models (steer end)</i>		6	45112GT	WASHER,SPINDLE.....2	
--	110712GT	TIRE/WHEEL ASSY,RT W/SEALANT		7	825796GT	SNAP RING,EXTERNAL,1.50,ZAG.....4	
--	110713GT	TIRE/WHEEL ASSY,RT W/SEALANT		8	1251565GT	WASHER,SHIM,1.56X2.5X.061,ZAG.....4	
--	110718GT	TIRE/WHEEL ASSY,RT NM W/SEALAN		9	119619GT	BEARING,1.5IDX1.75ODX1.5L,PTFE.....4	
--	110719GT	TIRE/WHEEL ASSY,RT NM W/SEALAN		10		AXLE <i>Refer to 203.1 or 204.1</i>	
--	1267781GT	TIRE/WH ASSY,9 LG,NM,FOAM,S FR <i>Narrow models (steer end)</i>		11	45074GT	WASHER,THRUST,1.5 X 3.5 X .187.....4	
--	94658GT	WHEEL & TIRE ASSY,2WD,LF,AIR.....1		12A	50396GT	YOKE MACHINING R.H.(2WD).....1 <i>(shown)</i>	
--	94659GT	WHEEL & TIRE ASSY,2WD,RFAOR		12B	50395GT	YOKE MACHINING L.H.(2WD).....1	
--	94664GT	WHEEL & TIRE ASSY,2WD,LF,FF		13	88752GT	PIN,1.50DIA X4.25LG,GR/H.....4	
--	94665GT	WHEEL & TIRE ASSY,2WD,RF,FF		14	825796GT	SNAP RING,EXTERNAL,1.50,ZAG.....4	
1A	54139GT	WHEEL,14.5 X 7 <i>Narrow models</i>		15	824091GT	SCREW,HHF,3/8-16X1.25,8,ZAG.....4	
--	54140GT	TUBELESS PNEUMATIC TIRE,9-14LT <i>Narrow models</i>		16	120269GT	FORMING,BELLY PAN.....1	
--	54234GT	TUBELESS TIRE,9-14.5,NON-M 47# <i>Narrow models</i>		17	6888GT	SCREW,HHC,1/4-20 X 1	
--	88728GT	TIRE,355/55D625		18	6356GT	WASHER,LOCK,.25	
--	94536GT	TIRE,355/55D625,14 PLY,NM		19	6638GT	WASHER,FLAT,USS,1/4"Y	
--	94660GT	WHEEL 24.5X11.75-9 HOLE		20	56912GT	SPRING CLIP,1/4-20,.025-.15X.54,ZAG	
--	94661GT	WHEEL 24.5X11.75-8 HOLE,AIR					
2	54627GT	NUT,LUG,5/8-18 X 90 DEGREE,Z45					
--	21166GT	LUG BOLT,5/8-18,WHEEL HUB***					
3	54840GT	HUB ASSEMBLY,9 BOLT***2 <i>Narrow models</i>					
--	21166GT	LUG BOLT,5/8-18,WHEEL HUB***					
--	54627GT	NUT,LUG,5/8-18 X 90 DEGREE,Z45					
--	54959GT	CAP,DUST (54840 HUB ASSY)					
--	54960GT	SEAL-GREASE,9-BOLT HUB 54840					
--	54961GT	BEARING,INNER,9 BOLT HUB***					
--	54962GT	BEARING,OUTER,9 BOLT HUB***					
3A	45043GT	HUB ASSEMBLY MODEL#60-8***2 <i>Rough Terrain Tires</i>					
--	21166GT	LUG BOLT,5/8-18,WHEEL HUB***6 <i>for 45043</i>					
--	45107GT	INNER CONE - MODEL 60-8 <i>large bearing race not included</i>					
--	45108GT	OUTER CONE - MODEL 60-8 <i>small bearing race not included</i>					
--	45110GT	SEAL-GREASE,MODEL 60-8					
--	45111GT	CAP,DUST,45873 HUB KIT					
--	45873GT	SEAL/BEARING KIT (45043,54840)					
--	54627GT	NUT,LUG,5/8-18 X 90 DEGREE,Z45					
4	45114GT	PIN,COTTER,.219 X 1.75.....2					
5	45113GT	NUT,SPINDLE,1-14.....2					

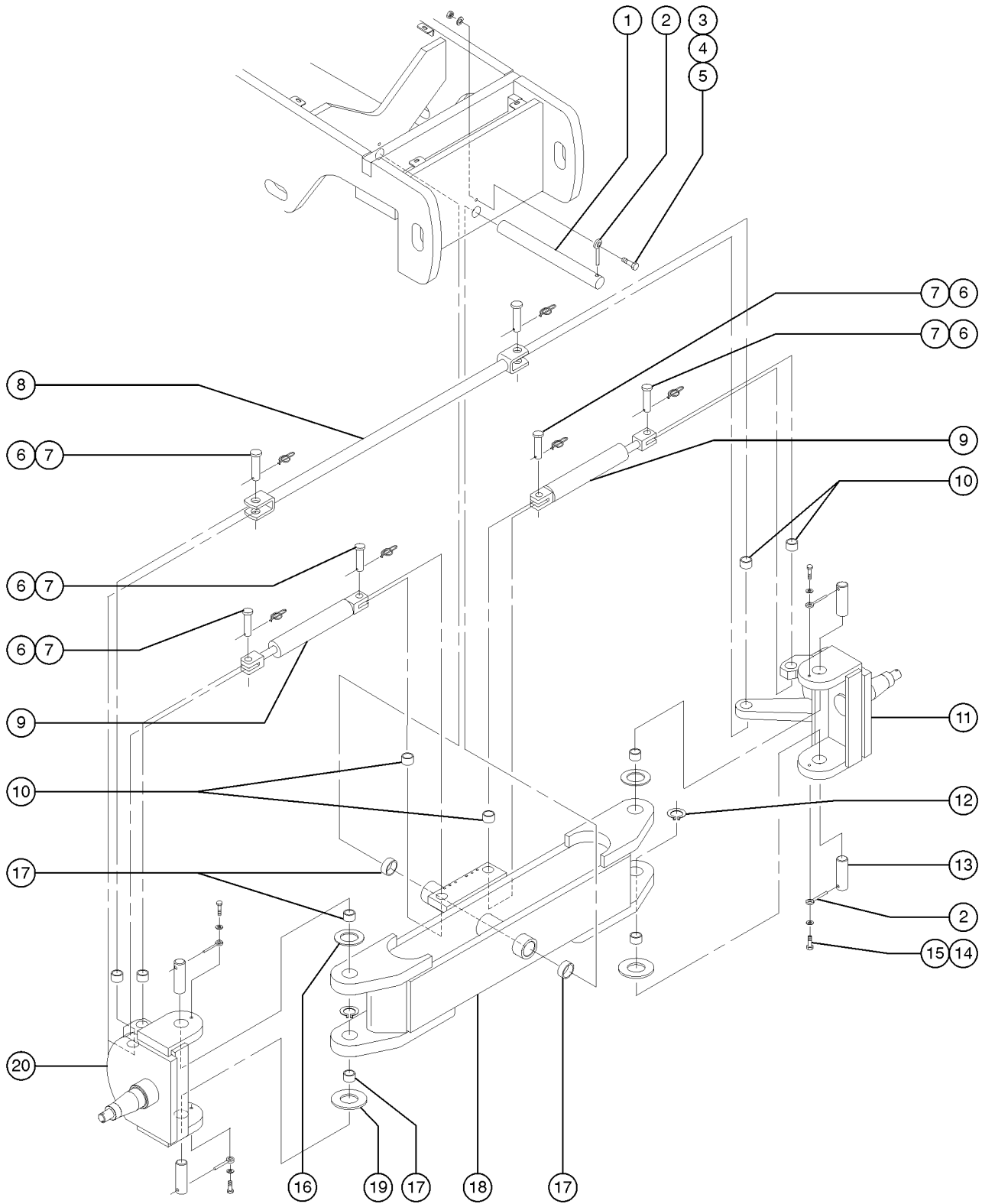
203.1 Steer Axle Linkage



203.1 Steer Axle Linkage

Item	Part No.	Description	Qty.
1	6888GT	SCREW,HHC,1/4-20 X 1	
2	6638GT	WASHER,FLAT,USS,1/4"Y	
3	56912GT	SPRING CLIP,1/4-20,.025-.15X.54,ZAG	
4	52731GT	COVER W/DECALS,STEER,OSC,Z45....1	
5	6708GT	SCREW,HHC,3/8-16 X 2.25	
6	825019GT	ROD END,.375X3.69,ZAG.....3	
7	5397GT	WASHER,FLAT,USS,5/16",Y	
8	4828GT	NUT,NYLOCK,3/8-16	
9	54542GT	PIN,1.50DIAX20.00LG,CHAMFER.....1	
10	50742GT	PIN,1.25DIAX3.75LG,1HOLE.....2	
11	6175GT	SCREW,HHC,3/8-16 X 1	
12	6021GT	WASHER,LOCK,.375	
13	1255452GT	ROD END,.375 X 2.25,ZAG.....2	
14	54567GT	CYLINDER,OSCILLATE,Z45***.....2 <i>models with oscillate option</i>	
--	25683GT	BEARING,POLYGON,20DU12	
--	65791GT	SEAL KIT,CYL,Z45 (54567)	
--	77409GT	VALVE,COUNTERBALANCE,1000 ATM	
15	13009GT	BEARING,1.25IDX1.50ODX1.50L	
16	19440GT	PIN,CLEVIS,1 X 2.5 LG.....6	
17	74389GT	RUE RING,1.00.....6	
18	36198GT	PIN,1.25DIAX8.12LG,1HOLE.....2	
19	88337GT	CYLINDER,STEER.....2	
--	88338GT	SEAL KIT, 88337	
20	50328-SGT	TIE ROD WELDMENT.....1	
21	70616GT	BRACKET,OSC HOSE BULKHEAD.....1	
22	50947GT	BRACKET,FRONT DRIVE HOSES,RH...1	
23	50901GT	BRACKET,FRONT DRIVE HOSES,LH...1	
24	119979GT	AXLE ASSY,FRONT,WIDE Z45/Z51.....1	
--	25817GT	BEARING,1.00IDX1.25ODX1.00L	
--	45071GT	BEARING,1.5IDX1.75ODX1.5L	
25	5224GT	SCREW,HHC,3/8-16 X 2	

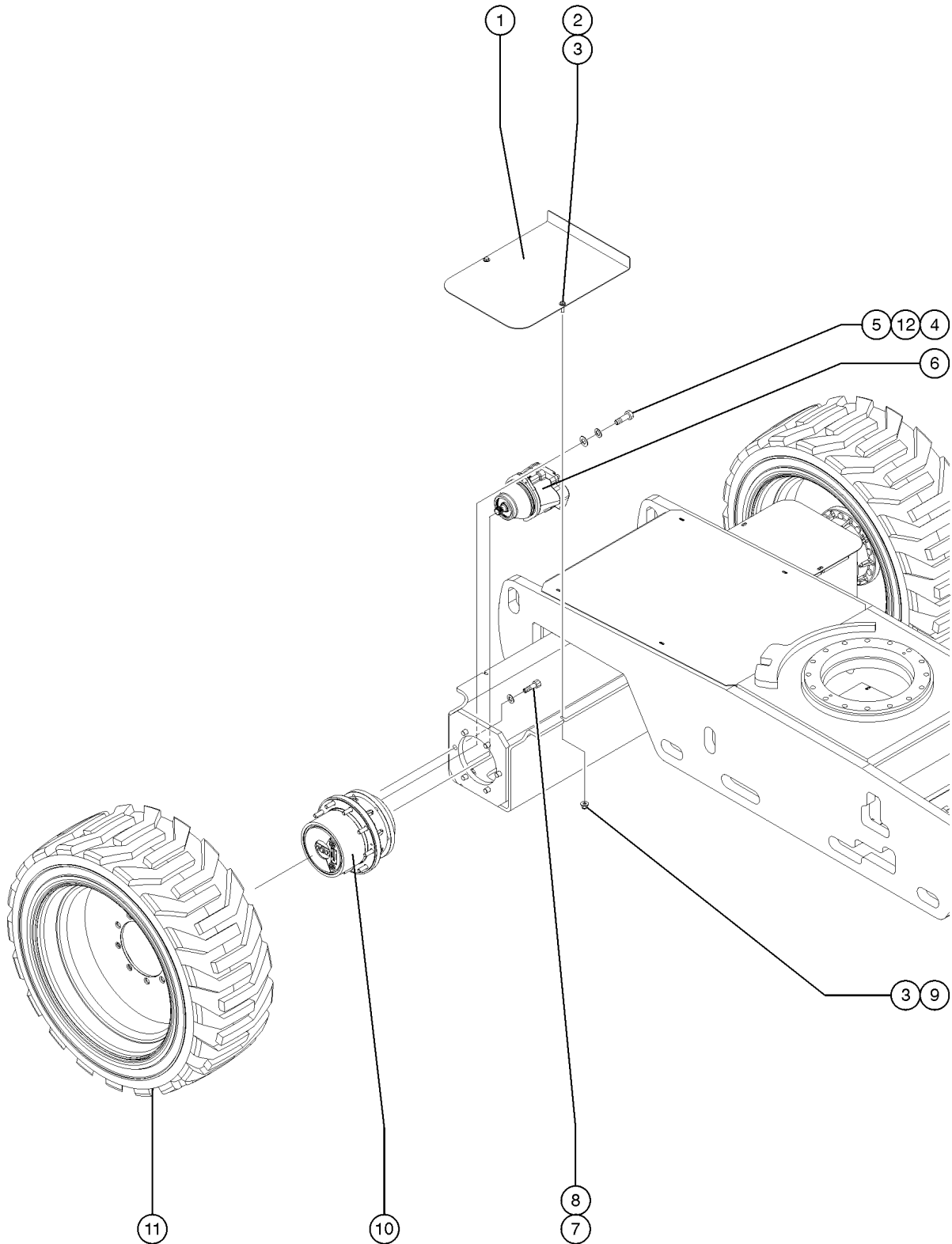
204.1 Steer Axle, Narrow Models



204.1 Steer Axle, Narrow Models

Item	Part No.	Description	Qty.
1	54542GT	PIN,1.50DIAX20.00LG,CHAMFER.....1	
2	825019GT	ROD END,.375X3.69,ZAG	
3	6708GT	SCREW,HHC,3/8-16 X 2.25	
4	5397GT	WASHER,FLAT,USS,5/16",Y	
5	4828GT	NUT,NYLOCK,3/8-16	
6	19440GT	PIN,CLEVIS,1 X 2.5 LG.....6	
7	74389GT	RUE RING,1.00.....6	
8	229798GT	TIE ROD WELDMENT, NARROW.....1	
9	88337GT	CYLINDER,STEER.....2	
--	88338GT	SEAL KIT, 88337	
10	25817GT	BEARING,1.00IDX1.25ODX1.00L.....6	
11	52733-SGT	YOKE ASSY.LH'2WD'Z45IC.....1 <i>includes item 10</i>	
12	825796GT	SNAP RING,EXTERNAL,1.50,ZAG	
13	88752GT	PIN,1.50DIAX4.25LG,GR/H.....4	
14	6175GT	SCREW,HHC,3/8-16 X 1	
15	6021GT	WASHER,LOCK,.375	
16	18596GT	WASHER,FLAT,1.56 X 2.5 X .061.....2	
17	45071GT	BEARING,1.5IDX1.75ODX1.5L.....2	
18	119981GT	AXLE ASSY,FRONT,NARROW Z45/Z51 <i>includes items 10 and 17</i>	
19	45074GT	WASHER,THRUST,1.5 X 3.5 X .187	
20	52734-SGT	YOKE ASSY.RH'2WD'Z45IC.....1 <i>includes 2 of item 10</i>	

205.1 Non-steer End Wheels and Hubs (to SN Z452512A-43220 and Z452512B-1986)



205.1 Non-steer End Wheels and Hubs (to SN Z452512A-43220 and Z452512B-1986)

Item	Part No.	Description	Qty.	Item	Part No.	Description	Qty.
1	110150GT	COVER,REAR AXLE,WIDE.....	2	--	215777GT	INPUT CARRIER, SUB-ASSEMBLY for 101584	
2	6888GT	SCREW,HHC,1/4-20 X 1		--	58320GT	KIT,TORQUE HUB COVER(101584)** for 101584	
3	6638GT	WASHER,FLAT,USS,1/4"Y		--	824042GT	NUT,LUG,5/8-18X90 DEG,ZAG for 106120	
4	88296GT	SCREW,HHC,7/16-14 X 1.25		10B	139330GT	WHEEL DRIVE W/ BRAKE,57:1*** Type: OMNI. Visually identify which hub before ordering parts. ID tag is on end cover cap. Hubs are not interchangeable, internal components are different for each type. All four hubs must be the same to avoid damage.	
5	6097GT	WASHER,FLAT,USS,3/8",Y		--	139965GT	WHEEL STUD,5/8-18,OMNI*** for 139330	
6	106151GT	MOTOR,PISTON,LC30,1 DEG,13T.....1 4WD Models		--	139966GT	ROD,DISCONNECT,OMNI*** for 139330	
--	106098GT	SEAL KIT,MOTOR,LC/KC*** 2WD models		--	139967GT	CAP,DISENGAGE,OMNI*** for 139330	
--	106118GT	O-RING,2-157,VITON*** O-ring on motor		--	139968GT	O-RING,END COVER,OMNI*** for 139330	
7	28117GT	SCREW,SHC,5/8-11 X 1.5.....	6	--	139969GT	LINING KIT,BRAKE,OMNI*** for 139330	
8	13064GT	WASHER,FLAT,.625 HARDENED.....	6	--	139970GT	SEAL KIT,BRAKE,OMNI*** for 139330	
9	6889GT	NUT,LP NYLOCK,1/4-20		--	139971GT	BEARING KIT,OMNI*** for 139330	
10A	101584GT	WHEEL DRIVE W/BRAKE 57:1.....2 Type: FAIRFIELD. Visually identify which hub before ordering parts. ID tag is on end cover cap. Hubs are not interchangeable, internal components are different for each type. All four hubs must be the same to avoid damage.		--	139972GT	SEAL KIT,GEARBOX,OMNI*** for 139330	
--	106117GT	O-RING,2-010,VITON for 101584 (Mating O-ring for Brake Port)(Extremely small)		--	147033GT	O-RING,PIPE PLUG KIT,OMNI*** for 139330	
--	106119GT	SEAL KIT, GEARBOX, 4HP for 101584		--	147034GT	PIPE PLUG KIT,OMNI*** for 139330	
--	106120GT	WHEEL STUD, 4HP, 5/8-18*** for 101584		--	9990184GT	RETAINING RING, INTERNAL, #180 (COMPONENT OF 139330GT) for 139330	
--	106121GT	ROD,DISCONNECT 4HP/4HB*** for 101584		11	94656GT	WHEEL & TIRE ASSY,RR/LF,AIR.....2 RT, Air-filled, right	
--	106122GT	CAP,DISENGAGE,4HP/4HB*** for 101584		11	94657GT	WHEEL & TIRE ASSY,LR/RF,AIR RT, Air-filled, left	
--	106123GT	O-RING,END COVER,4HP/4HB*** for 101584		--	88728GT	TIRE,355/55D625 for 94656, 94657	
--	106124GT	LINING KIT, BRAKE, 4HP*** for 101584		--	94660GT	WHEEL 24.5X11.75-9 HOLE for 94656, 94657	
--	106125GT	SEAL KIT, BRAKE, 4HP for 101584 (inventory limited to stock on hand as component is no longer available)		11A	94666GT	WHEEL & TIRE ASSY,RR/LF,AIR,NM RT, Air-filled, Non-marking, right	
--	106126GT	BEARING KIT,4HP for 101584 (inventory limited to stock on hand as component is no longer available)		11A	94667GT	WHEEL & TIRE ASSY,LR/RF,AIR,NM RT, Air-filled, Non-marking, left	
--	1286602GT	SEAL KIT,WHEEL DRIVE W/BRAKE (101584/101585) for 101584		--	94536GT	TIRE,355/55D625,14 PLY,NM for 94666, 94667	
--	1286603GT	BEARING KIT,WHEEL DRIVE W/BRAKE (101584/101585) for 101584		--	94660GT	WHEEL 24.5X11.75-9 HOLE for 94666, 94667	
--	146051GT	BEARING NUT*** for 101584					
--	146052GT	SET SCREW*** for 146051					

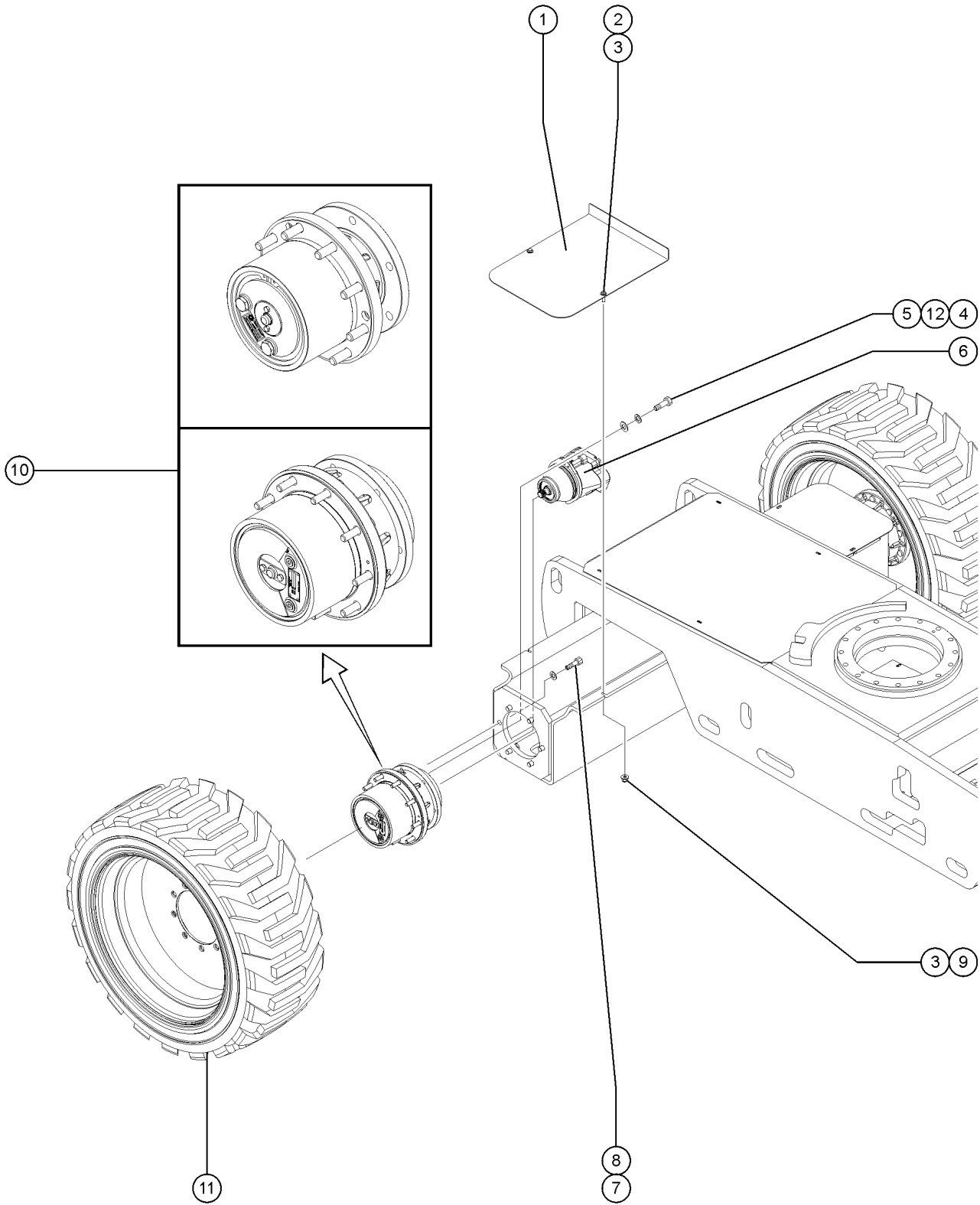
205.1 Non-steer End Wheels and Hubs (to SN Z452512A-43220 and Z452512B-1986)
(continued)

Item	Part No.	Description	Qty.
11B	94662GT	WHEEL & TIRE ASSY,RR/LF,FF <i>RT, Foam-filled, right</i>	
11B	94663GT	WHEEL & TIRE ASSY,LR/RF,FF <i>RT, Foam-filled, left</i>	
11C	94670GT	WHEEL & TIRE ASSY,RR/LF,FF,NM <i>RT, Foam-filled, Non-marking, right</i>	
11C	94671GT	WHEEL & TIRE ASSY,LR/RF,FF,NM <i>RT, Foam-filled, Non-marking, left</i>	
11D	110712GT	TIRE/WHEEL ASSY,RT W/SEALANT <i>RT, Air-filled, with sealant, left</i>	
11D	110713GT	TIRE/WHEEL ASSY,RT W/SEALANT <i>RT, Air-filled, with sealant, right</i>	
11E	110718GT	TIRE/WHEEL ASSY,RT NM W/SEALAN <i>RT, Air-filled, Non-marking, with sealant, left</i>	
11E	110719GT	TIRE/WHEEL ASSY,RT NM W/SEALAN <i>RT, Air-filled, Non-marking, with sealant, right</i>	
12	20912GT	WASHER,LOCK,.437,PLTD.	

205.1 Non-steer End Wheels and Hubs (to SN Z452512A-43220 and Z452512B-1986)
(continued)

This Page Intentionally Left Blank

205.2 Non-steer End Wheels and Hubs (from SN Z452512A-43221 and Z452512B-1987)



205.2 Non-steer End Wheels and Hubs (from SN Z452512A-43221 and Z452512B-1987)

Item	Part No.	Description	Qty.	Item	Part No.	Description	Qty.
1	110150GT	COVER,REAR AXLE,WIDE.....	2	--	215777GT	INPUT CARRIER, SUB-ASSEMBLY for 101584	
2	6888GT	SCREW,HHC,1/4-20 X 1		--	58320GT	KIT,TORQUE HUB COVER(101584)** for 101584	
3	6638GT	WASHER,FLAT,USS,1/4"Y		10B	139330GT	WHEEL DRIVE W/ BRAKE,57:1*** Type: OMNI. Visually identify which hub before ordering parts. ID tag is on end cover cap. Hubs are not interchangeable, internal components are different for each type. All four hubs must be the same to avoid damage.	
4	88296GT	SCREW,HHC,7/16-14 X 1.25		--	139965GT	WHEEL STUD,5/8-18,OMNI*** for 139330	
5	6097GT	WASHER,FLAT,USS,3/8",Y		--	139966GT	ROD,DISCONNECT,OMNI*** for 139330	
6	106151GT	MOTOR,PISTON,LC30,1 DEG,13T.....1 4WD Models		--	139967GT	CAP,DISENGAGE,OMNI*** for 139330	
--	106098GT	SEAL KIT,MOTOR,LC/KC*** 2WD models		--	139968GT	O-RING,END COVER,OMNI*** for 139330	
--	106118GT	O-RING,2-157,VITON*** O-ring on motor		--	139969GT	LINING KIT,BRAKE,OMNI*** for 139330	
7	28117GT	SCREW,SHC,5/8-11 X 1.5.....	6	--	139970GT	SEAL KIT,BRAKE,OMNI*** for 139330	
8	13064GT	WASHER,FLAT,.625 HARDENED.....	6	--	139971GT	BEARING KIT,OMNI*** for 139330	
9	6889GT	NUT,LP NYLOCK,1/4-20		--	139972GT	SEAL KIT,GEARBOX,OMNI*** for 139330	
10A	101584GT	WHEEL DRIVE W/BRAKE 57:1.....2 Type: FAIRFIELD. Visually identify which hub before ordering parts. ID tag is on end cover cap. Hubs are not interchangeable, internal components are different for each type. All four hubs must be the same to avoid damage.		--	147033GT	O-RING,PIPE PLUG KIT,OMNI*** for 139330	
--	106117GT	O-RING,2-010,VITON for 101584 (Mating O-ring for Brake Port)(Extremely small)		--	147034GT	PIPE PLUG KIT,OMNI*** for 139330	
--	106119GT	SEAL KIT, GEARBOX, 4HP for 101584		--	9990184GT	RETAINING RING, INTERNAL, #180 (COMPONENT OF 139330GT) for 139330	
--	106120GT	WHEEL STUD, 4HP, 5/8-18*** for 101584		11	94656GT	WHEEL & TIRE ASSY,RR/LF,AIR.....2 RT, Air-filled, right	
--	106121GT	ROD,DISCONNECT 4HP/4HB*** for 101584		11	94657GT	WHEEL & TIRE ASSY,LR/RF,AIR RT, Air-filled, left	
--	106122GT	CAP,DISENGAGE,4HP/4HB*** for 101584		--	88728GT	TIRE,355/55D625 for 94656, 94657	
--	106123GT	O-RING,END COVER,4HP/4HB*** for 101584		--	94660GT	WHEEL 24.5X11.75-9 HOLE for 94656, 94657	
--	106124GT	LINING KIT, BRAKE, 4HP*** for 101584		11A	94666GT	WHEEL & TIRE ASSY,RR/LF,AIR,NM RT, Air-filled, Non-marking, right	
--	106125GT	SEAL KIT, BRAKE, 4HP for 101584 (inventory limited to stock on hand as component is no longer available)		11A	94667GT	WHEEL & TIRE ASSY,LR/RF,AIR,NM RT, Air-filled, Non-marking, left	
--	106126GT	BEARING KIT,4HP for 101584 (inventory limited to stock on hand as component is no longer available)		--	94536GT	TIRE,355/55D625,14 PLY,NM for 94666, 94667	
--	1286602GT	SEAL KIT,WHEEL DRIVE W/BRAKE (101584/101585) for 101584		--	94660GT	WHEEL 24.5X11.75-9 HOLE for 94666, 94667	
--	1286603GT	BEARING KIT,WHEEL DRIVE W/BRAKE (101584/101585) for 101584		11B	94662GT	WHEEL & TIRE ASSY,RR/LF,FF RT, Foam-filled, right	
--	146051GT	BEARING NUT*** for 101584					
--	146052GT	SET SCREW*** for 146051					

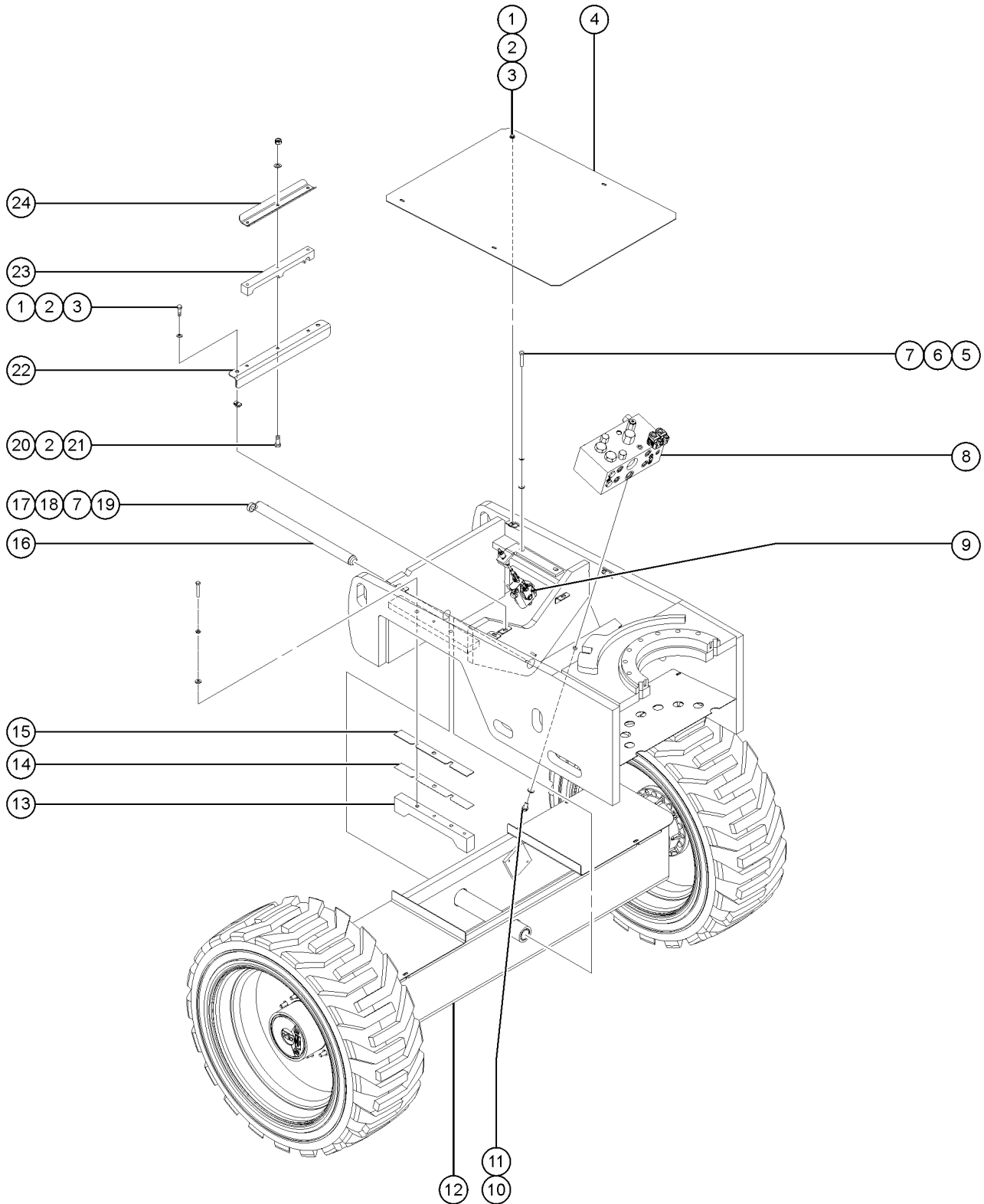
205.2 Non-steer End Wheels and Hubs (from SN Z452512A-43221 and Z452512B-1987)
(continued)

Item	Part No.	Description	Qty.
11B	94663GT	WHEEL & TIRE ASSY,LR/RF,FF <i>RT, Foam-filled, left</i>	
11C	94670GT	WHEEL & TIRE ASSY,RR/LF,FF,NM <i>RT, Foam-filled, Non-marking, right</i>	
11C	94671GT	WHEEL & TIRE ASSY,LR/RF,FF,NM <i>RT, Foam-filled, Non-marking, left</i>	
11D	110712GT	TIRE/WHEEL ASSY,RT W/SEALANT <i>RT, Air-filled, with sealant, left</i>	
11D	110713GT	TIRE/WHEEL ASSY,RT W/SEALANT <i>RT, Air-filled, with sealant, right</i>	
11E	110718GT	TIRE/WHEEL ASSY,RT NM W/SEALAN <i>RT, Air-filled, Non-marking, with sealant, left</i>	
11E	110719GT	TIRE/WHEEL ASSY,RT NM W/SEALAN <i>RT, Air-filled, Non-marking, with sealant, right</i>	
12	20912GT	WASHER,LOCK, .437,PLTD.	

205.2 Non-steer End Wheels and Hubs (from SN Z452512A-43221 and Z452512B-1987)
(continued)

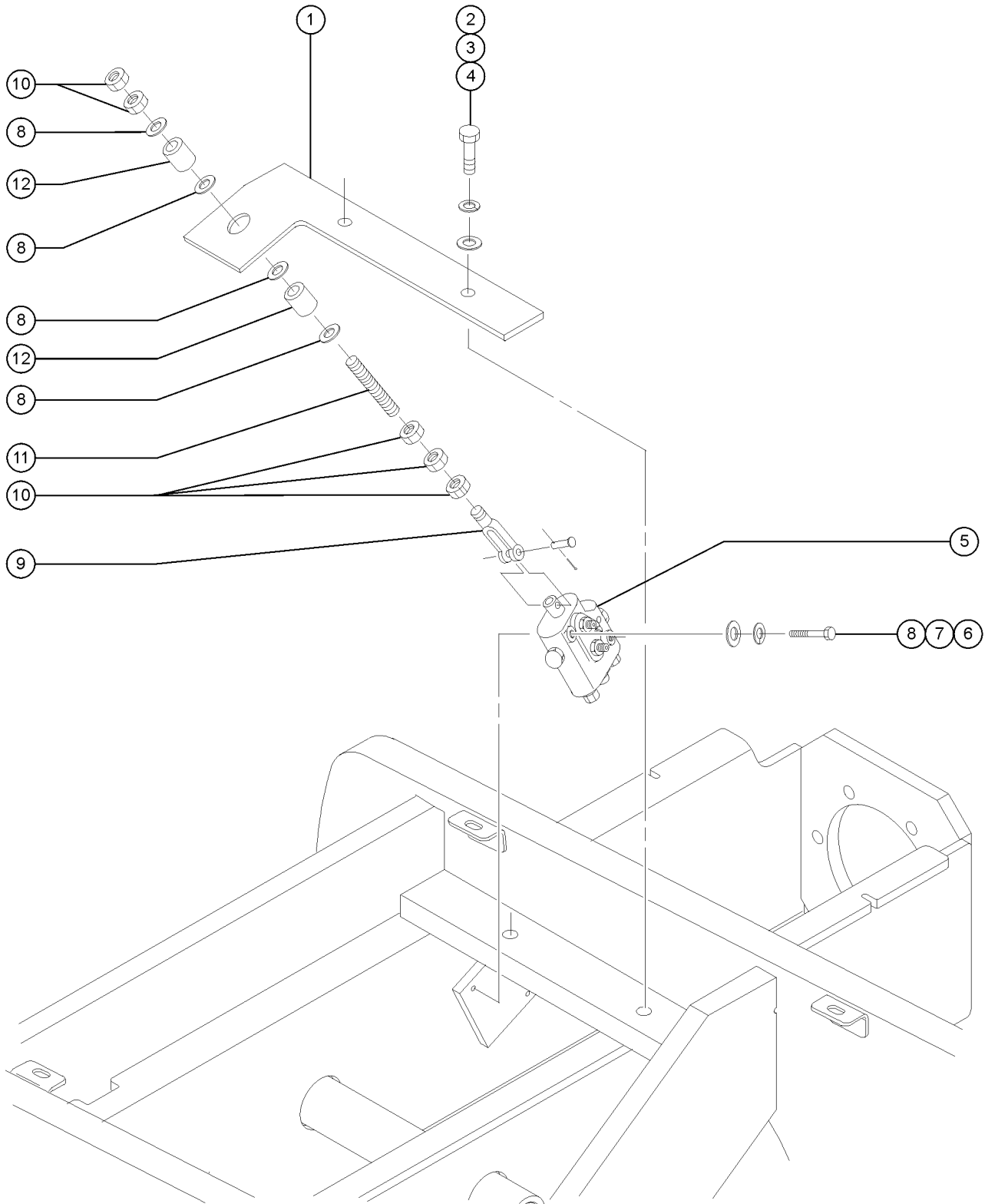
This Page Intentionally Left Blank

206.1 Non-steer Axle



Item	Part No.	Description	Qty.
1	6888GT	SCREW,HHC,1/4-20 X 1	
2	6638GT	WASHER,FLAT,USS,1/4"Y	
3	56912GT	SPRING CLIP,1/4-20,.025-.15X.54,ZAG	
4	52707-SGT	COVR W/DECALS,NON-STEER Z45/Z51.....1	
5	14033GT	SCREW,HHC,3/8-16 X 2.75 <i>Oscillate models</i>	
--	6708GT	SCREW,HHC,3/8-16 X 2.25 <i>Non-oscillate models</i>	
6	6021GT	WASHER,LOCK,.375	
7	5397GT	WASHER,FLAT,USS,5/16",Y	
8		Ref. Traction Manifold <i>(refer to 701.1 or 702.1)</i>	
9		Ref. Oscillate Valve <i>(refer to 207.1 or 207.2)</i>	
10	10597GT	SCREW,HHC,1/2-13 X 1.25 GR5	
11	6033GT	WASHER,LOCK,0.5"	
12	119978GT	AXLE ASSY,REAR,WIDE Z45/Z51	
--	119980GT	AXLE ASSY,REAR,NARROW Z45/Z51	
--	45071GT	BEARING,1.5IDX1.75ODX1.5L	
13	107914GT	BAR,AXLE ROTATION STOP***.....1	
14	119210GT	SHIM,AXLE ROTATION STOP,12GA <i>as needed</i>	
15	119209GT	SHIM,AXLE ROTATION STOP,22GA <i>as needed</i>	
16	54542GT	PIN,1.50DIA X 20.00LG,CHAMFER.....1	
17	825019GT	ROD END,.375X3.69,ZAG.....1	
18	6708GT	SCREW,HHC,3/8-16 X 2.25	
19	4828GT	NUT,NYLOCK,3/8-16	
20	73464GT	BOLT,CARRIAGE,1/4-20 X 1.75,G2.....3	
21	6091GT	NUT,NYLOCK,1/4-20.....3	
22	229131GT	BRACKET, CABLE CLAMP.....1	
23	229132GT	CLAMP, CABLE.....1	
24	229133GT	PLATE,CLAMP, TOP.....1	

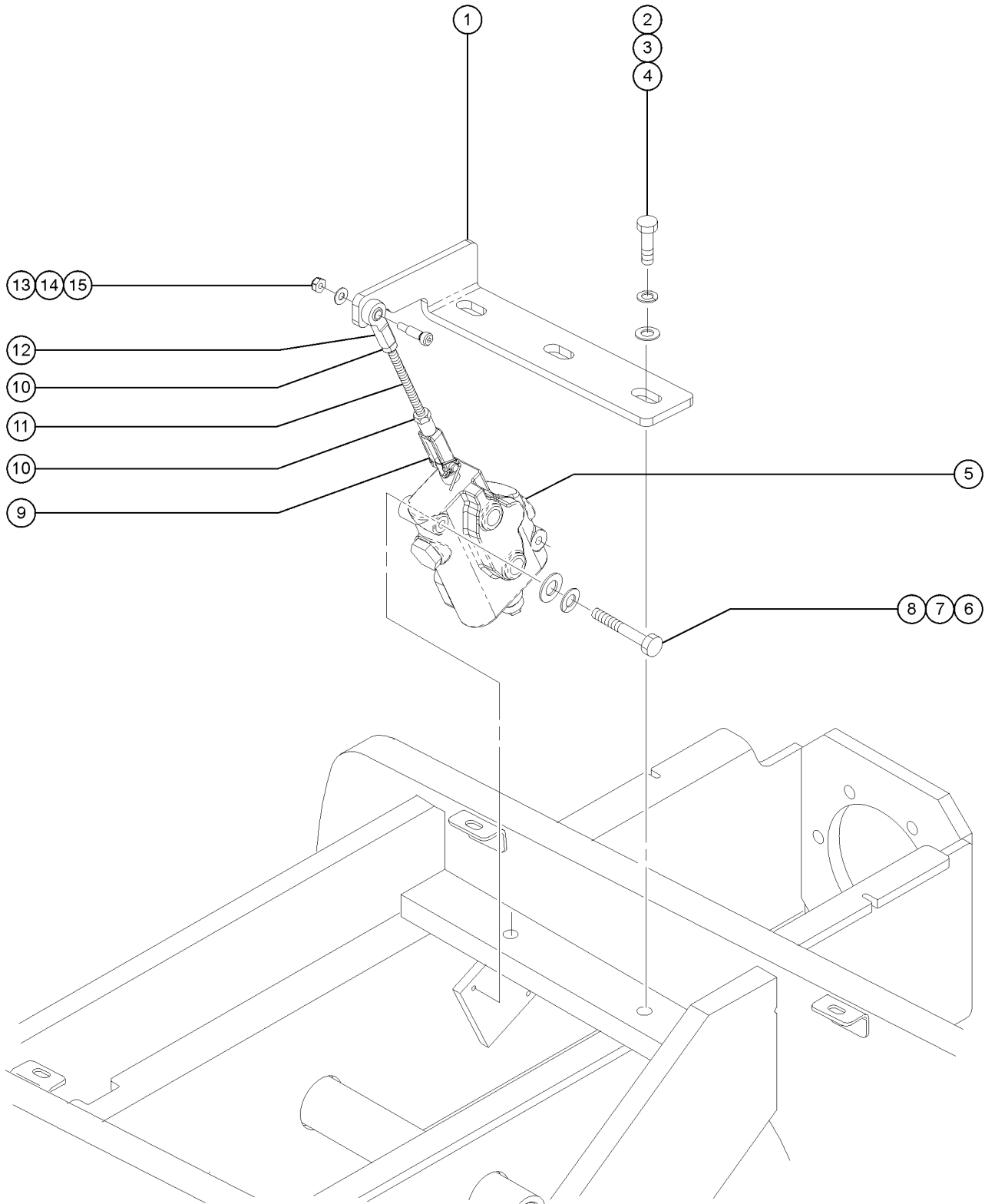
207.1 Oscillate Valve (to SN Z452511A-40627 and Z452512B-2296)



207.1 Oscillate Valve (to SN Z452511A-40627 and Z452512B-2296)

Item	Part No.	Description	Qty.
1		Ref., PLATE,BRACKET,OSC VALVE.....1 <i>refer to 207.2</i>	
2	14033GT	SCREW,HHC,3/8-16 X 2.75	
3	6021GT	WASHER,LOCK, .375	
4	5397GT	WASHER,FLAT,USS,5/16",Y	
5	49768GT	VLV,MAN,3 POS/4 WAY,CLOSE CTR*....1	
--	32681GT	SEAL KIT,CONTROL VALVE	
6	6637GT	SCREW,HHC,1/4-20 X 1.75	
7	6356GT	WASHER,LOCK, .25	
8	6638GT	WASHER,FLAT,USS,1/4"Y	
9	21130GT	CLEVIS YOKE-1/4-28,PLTD W/PIN <i>includes clevis pin and cotter pin</i>	
10	21496GT	NUT,HEX,1/4-28	
11	30785-600GT	THREADED ROD,1/4-28 X 6 IN***	
12		Ref., SPRING,OSC. LINKAGE,.75"LG.....2 <i>refer to 207.2</i>	

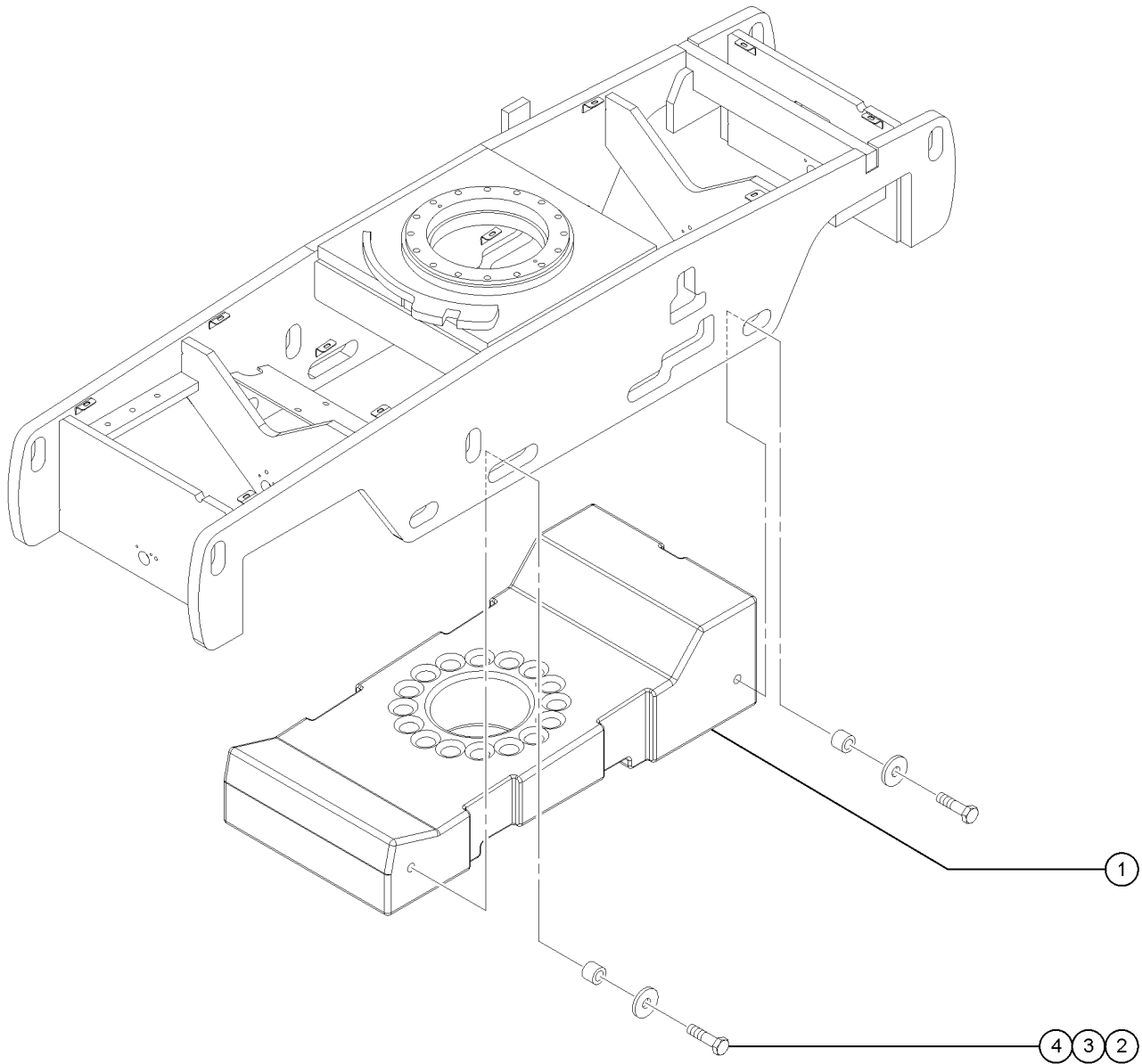
207.2 Oscillate Valve (from SN Z452511A-40628 and Z452512B-2297)



207.2 Oscillate Valve (from SN Z452511A-40628 and Z452512B-2297)

Item	Part No.	Description	Qty.
--	T111453GT	KIT,OSCILLATE LINKAGE <i>includes items 1 and 9-15</i>	
1	T107284GT	BRACKET,OSCILLATING VALVE.....	1
2	14033GT	SCREW,HHC,3/8-16 X 2.75.....	3
3	6021GT	WASHER,LOCK,,.375.....	3
4	5397GT	WASHER,FLAT,USS,5/16",Y.....	3
5	49768GT	VLV,MAN,3 POS/4 WAY,CLOSE CTR*....	1
--	32681GT	SEAL KIT,CONTROL VALVE <i>for 49768</i>	
6	6637GT	SCREW,HHC,1/4-20 X 1.75.....	2
7	6356GT	WASHER,LOCK,,.25.....	2
8	6638GT	WASHER,FLAT,USS,1/4"Y.....	2
9	21130GT	CLEVIS YOKE-1/4-28,PLTD W/PIN.....	1
10	21496GT	NUT,HEX,1/4-28.....	2
11	30785-500GT	THREADED ROD,1/4-28 X 5 IN.....	1
12	81691GT	ROD END,BALL JOINT 1/4-28.....	1
13	5365GT	NUT,NYLOCK,10-24.....	1
14	6146GT	WASHER,FLAT,MS,#10,Y.....	1
15	6584GT	SCREW,SHS,10-24 X .625.....	1

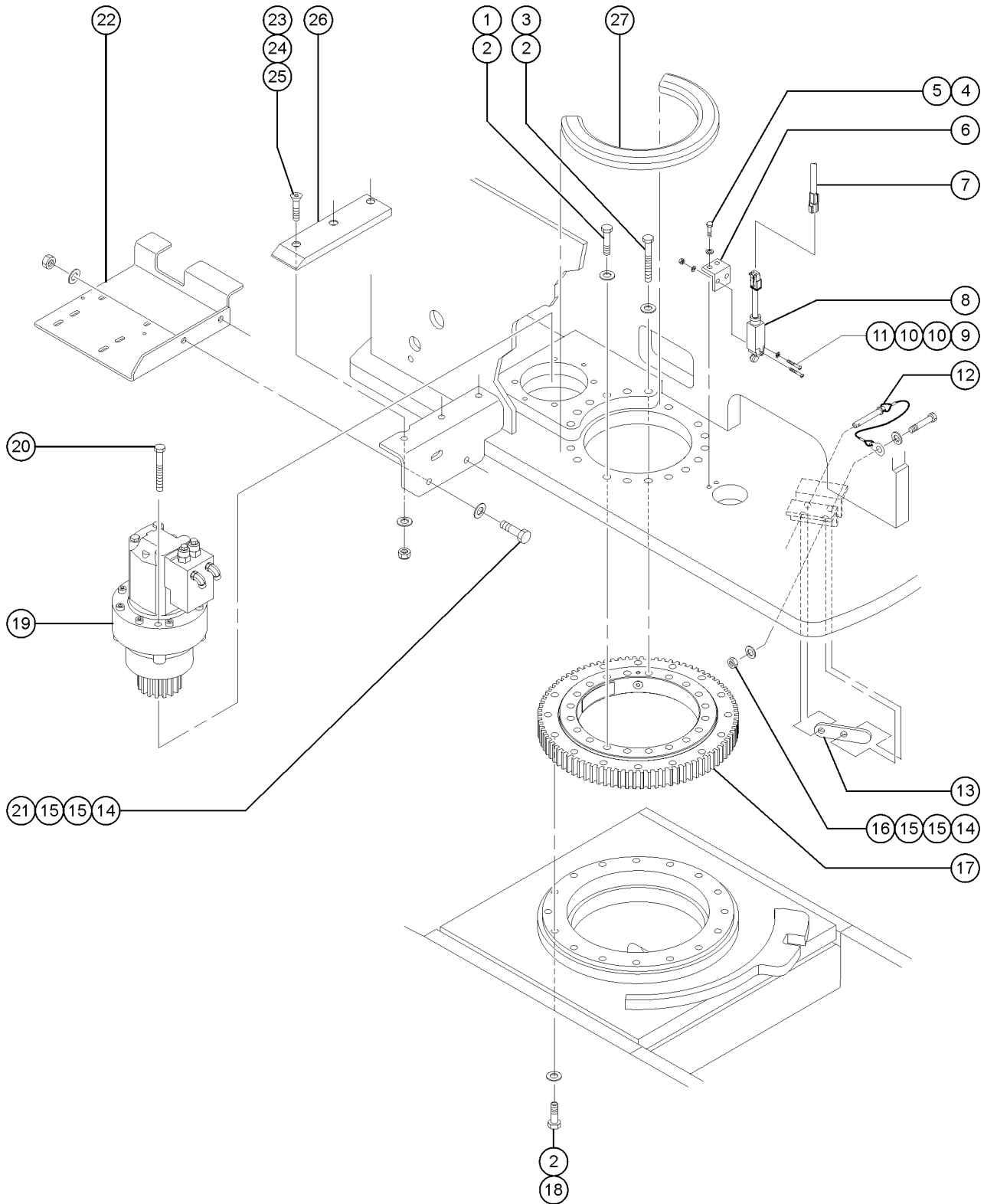
208.1 Drive Chassis Counterweight - Narrow Models



208.1 Drive Chassis Counterweight - Narrow Models

Item	Part No.	Description	Qty.
1	119673GT	BELLY WEIGHT, Z45,IC NARROW.....1 <i>2350 lbs. / 1065 kg.</i>	
2	128066GT	SCREW, HHC, 1-8 X 4, GRID .2.....4	
3	119815PGT	PLATE,WASHER,FLAT,RETAINING,PT...4	
4	107574PGT	TUBE,CHASSIS SPACER PAINTED.....4	

301.1 Turntable Rotator



301.1 Turntable Rotator

Item	Part No.	Description	Qty.	Item	Part No.	Description	Qty.
1	74712GT	SCREW,SHC,5/8-11 X 2.75,A574.....12 to SN Z452509A-38872, to SN Z452512B-2231	12	--	48904GT	ELBOW,90D,520220-4-4 not included, must order seperately	
--	139861GT	SCREW,HHC,5/8-11 X 2.75 GR8 BO....12 from SN Z452509A-38873, from SN Z452512B-2232	12	--	77246GT	SEAL KIT,SWING MOTOR*** for 77082; to SN Z452511A-40410 and to Z452511B-1713	
2	13064GT	WASHER,FLAT,.625 HARDENED.....36	36	19B		Ref: Swing Drive Assy.....1 147209 is no longer available; used from SN Z452511A-40411 to Z452514A-47000 and Z452511B-1714 to Z452514B-3300	1
3	21175GT	SCREW,SHC,5/8-11 X 4,A574.....6 to SN Z452509A-38872, to SN Z452512B-2231	6	--	147210GT	SEAL KIT,SWING DRIVE*** for 147209; from SN Z452511A-40411 to Z452513A-47000 and from Z452511B-1714 to Z452514B-3300	
--	139865GT	SCREW,HHC,5/8-11 X 4.00 GR8 BO....6 from SN Z452509A-38873, from SN Z452512B-2232	6	--	147211GT	BRAKE KIT, SWING DRIVE for 147209; from SN Z452511A-40411 to Z452513A-47000 and from Z452511B-1714 to Z452514B-3300	
4	8255GT	SCREW,HHC,3/8-16 X .75		--	147212GT	MANIFOLD KIT, SW DRIVE for 147209; from SN Z452511A-40411 to Z452513A-47000 and from Z452511B-1714 to Z452514B-3300	
5	6021GT	WASHER,LOCK,.375		--	220255GT	SEAL KIT,MANIFOLD TO MOTOR for 147212; from SN Z452511A-40411 to Z452513A-47000 and from Z452511B-1714 to Z452514B-3300	
6	50469GT	BRACKET,DRIVE SENSOR,ENABLE.....1	1	--	48904GT	ELBOW,90D,520220-4-4 not included, must order seperately	
7	107993GT	HARNESS,IC FUNCTION MANIFOLD		19C	824050GT	SWING DRIVE ASSEMBLY.....1 use from SN Z452507A-34011 to Z452513A-47000, replaced PNs 77082 and 147209	1
8	110160GT	HARNESS,LS,D.E. Z45		--	48904GT	ELBOW,90D,520220-4-4 not included, must order seperately	
--	106427GT	LS ROT.HEAD W/O LEVER (ZCE01)		--	824051GT	SEAL KIT, SWING DRIVE for 824050; from SN Z452507A-34011 to Z452513A-47000	
--	88356-11105GT	SWITCH,LIMIT,W/RLLR ARM,NO/NC.....1	1	--	824052GT	VALVE BLOCK, SWING DRIVE for 824050; from SN Z452507A-34011 to Z452513A-47000	
--	97128GT	ROLLER ARM,LIMIT SWITCH***		20	56680GT	SCREW,SHC,1/2-13 X 4.50 ZINC	
9	51063GT	SCREW,PHILLIPS,RHM,10-32 X 1.5		21	22788GT	SCREW,HHC,1/2-13 X 1.75	
10	6146GT	WASHER,FLAT,MS,#10,Y		22	54207PGT	BRACKET,GENERATOR MOUNT,PAINT.....1	1
11	6178GT	NUT,NYLOCK,10-32		23	17712GT	SCREW,FHS,3/8-16 X 1.75	
12	54145-800GT	RETAINING PIN, ASSY.....1	1	24	5397GT	WASHER,FLAT,USS,5/16",Y	
13	50776PGT	PLATE,SWING LOCK,PAINTED***.....1	1	25	4828GT	NUT,NYLOCK,3/8-16	
14	6198GT	NUT,NYLOCK,1/2-13		26	50519GT	LOAD PAD,ENGINE TRAY SUPPORT....1	1
15	6095GT	WASHER,FLAT,USS,1/2",Y		27	107651GT	PROTECTOR,SLEW BOLT.....1	1
16	50576GT	SCREW,SHC,1/2-13 X 3.00					
17	101815GT	BEARING,SWING CHASSIS.....1	1				
--	88635-4024GT	HOSE ASSY 1/4,STR FEM,PIPETHRE..1 ¹ Components: Genie part numbers 48805, 54954 and 48751 @ 38 inches	1				
18	25068GT	SCREW,SHC,5/8-11 X 4.5,A574.....16 to SN Z452509A-38872, to SN Z452512B-2231	16				
--	139866GT	SCREW,HHC,5/8-11X4.50GR8 PLAIN.....16 from SN Z452509A-38873, from SN Z452512B-2232	16				
19A		Ref: Swing Drive Assy 77082 is no longer available; used to SN Z452511A-40410 and to Z452511B-1713					
--	128446GT	MANIFOLD,TURNTABLE ROTATION*** for 77082; to SN Z452511A-40410 and to Z452511B-1713					
--	220255GT	SEAL KIT,MANIFOLD TO MOTOR for 128446; to SN Z452511A-40410 and to Z452511B-1713					



301.1 Turntable Rotator
(continued)

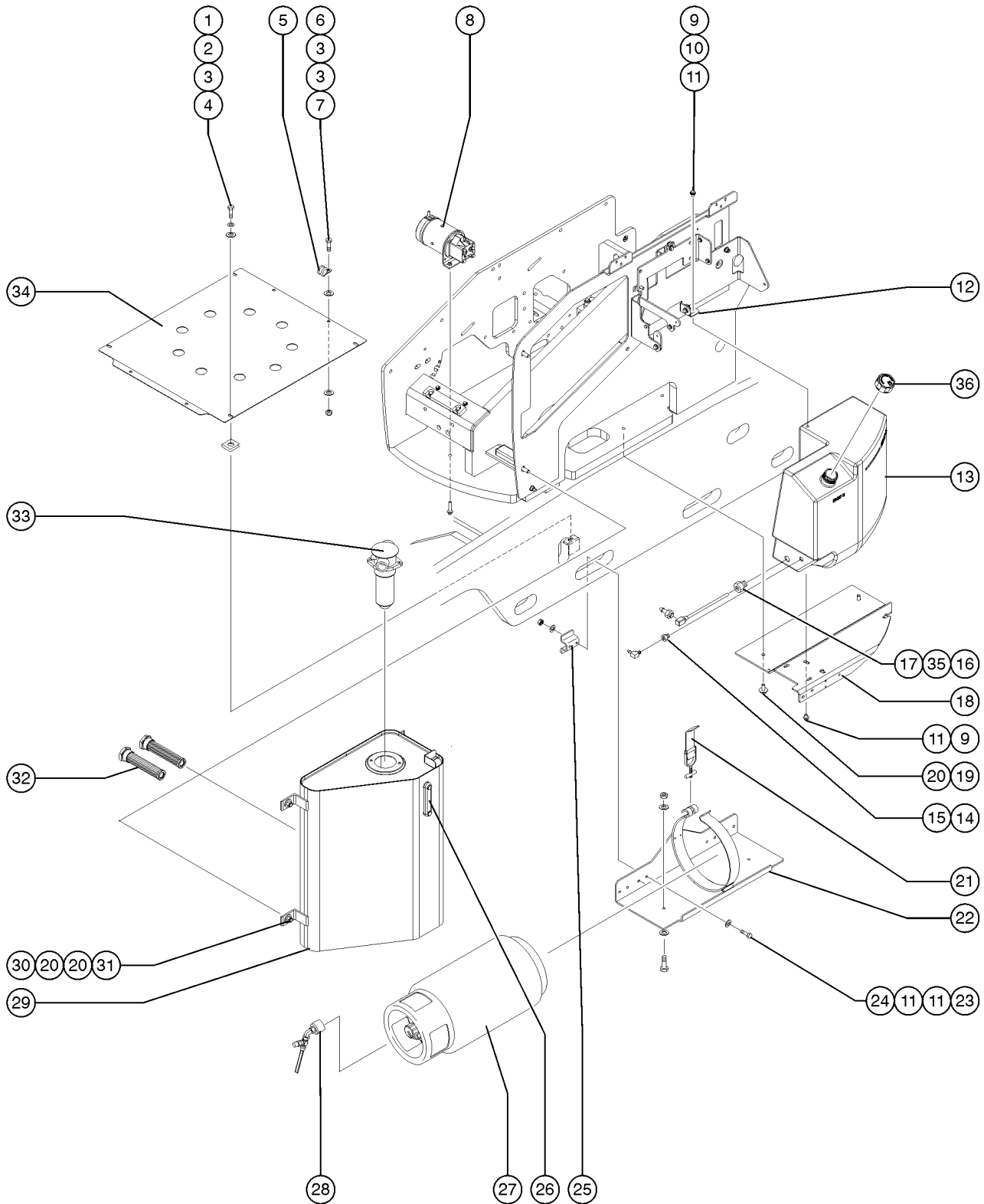
Item	Part No.	Description	Qty.
------	----------	-------------	------

Footnotes

1: The length listed in the component description is the length of the hose only. Refer to the Fittings Cross Reference to match with Parker part numbers.

This Page Intentionally Left Blank

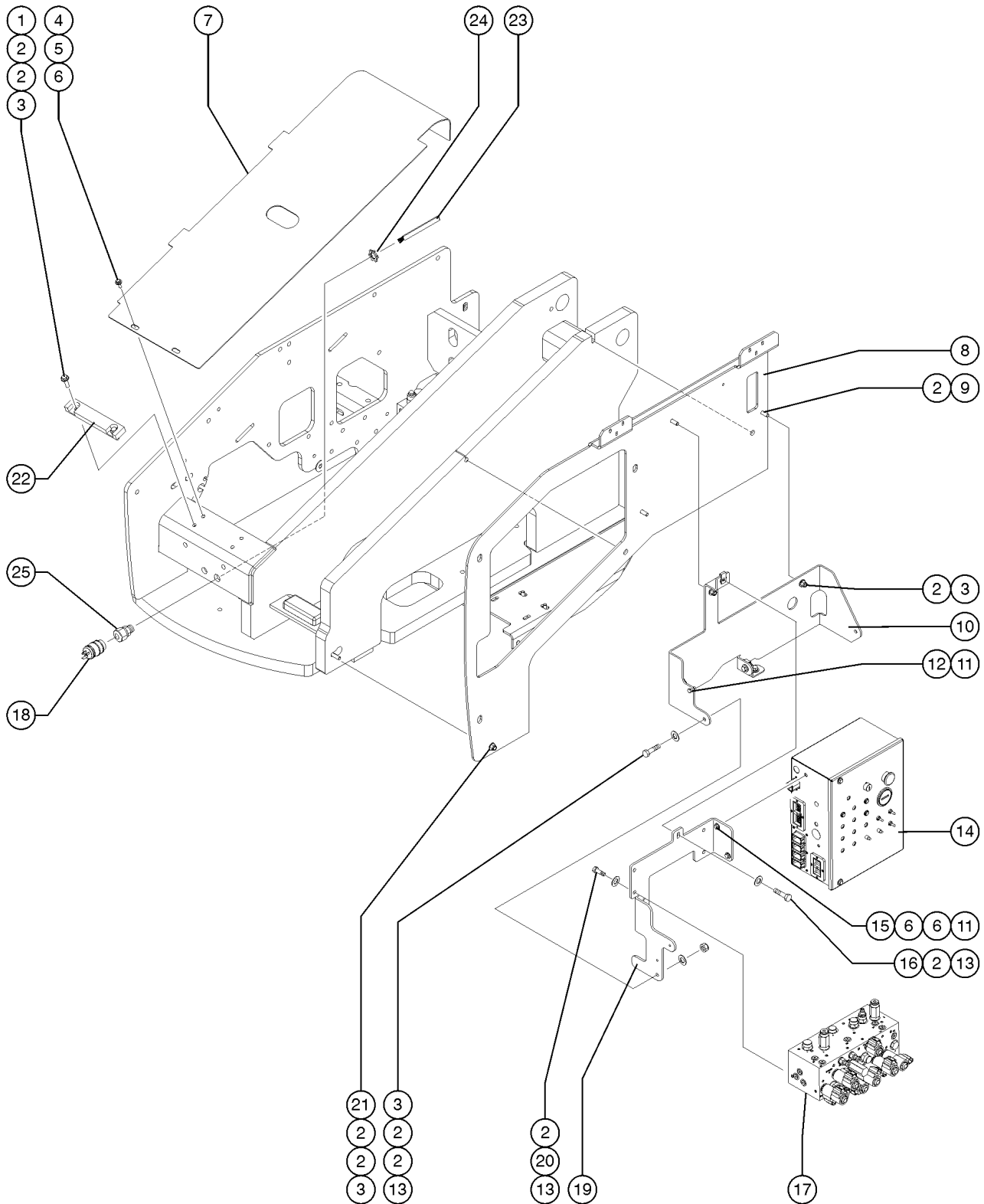
302.1 Fuel and Hydraulic Tanks



302.1 Fuel and Hydraulic Tanks

Item	Part No.	Description	Qty.	Item	Part No.	Description	Qty.
1	6888GT	SCREW,HHC,1/4-20 X 1		26	21141GT	GAUGE-SIGHT,LHA-LGTB***1 <i>includes mounting fasteners</i>	
2	6356GT	WASHER,LOCK,.25		27	53605GT	TANK, 7 GAL/33.5 POUND, LP.....1	
3	6638GT	WASHER,FLAT,USS,1/4"Y		28	119055GT	HOSE ASSY,LP GAS.....1 <i>144 inches</i>	
4	56912GT	SPRING CLIP,1/4-20,.025-.15X.54,ZAG		--	73599GT	CAP,PROT.,RED,1.38ID X .75 DP	
5	13268GT	CLAMP,0.75,#12 X 1/4,RUB CUSH		29	106065GT	TANK,HYDRAULIC ASSEMBLY***1	
6	6090GT	SCREW,HHC,1/4-20 X .75		30	6198GT	NUT,NYLOCK,1/2-13	
7	6091GT	NUT,NYLOCK,1/4-20		31	8177GT	SCREW,HHC,1/2-13 X 1.5	
8	77066GT	ASSEMBLY, AUX POWER UNIT, 12VD.....1		32	147419GT	KIT,STRAINER REPLACEMENT.....2	
--	58490GT	PUMP ASSY (77066)		33A	110345GT	FILTER ASSY,INTANK.....1 <i>includes item 33B</i>	
--	77069GT	MOTOR,12VDC,77066		--	147223GT	SEAL,FILTER LID	
--	77071GT	SOLENOID,77066		33B	77353GT	KIT,ELEMENT**	
--	77072GT	CHECK VALVE KIT,77066		--	77354GT	FILTER LID,RFM165	
9	8255GT	SCREW,HHC,3/8-16 X .75		--	77365GT	BREATHER CAP,RFM165	
10	6021GT	WASHER,LOCK,.375		--	88917GT	FILTER,ELEMENT,BETA(10)=200	
11	5397GT	WASHER,FLAT,USS,5/16",Y		--	94526GT	GASKET,RETURN FILTER-77353	
12A	70602GT	BRACKET, ANGLE.....1 <i>to SN 39871</i>		34	120269GT	FORMING,BELLY PAN.....1	
12B	128849GT	BRACKET, FUEL TANK, TOP MOUNT <i>from SN 39872</i>		35A	54333GT	TUBE,FUEL PICKUP,3/8NPTX1/4PT.....1 <i>to SN 39871</i>	
13A	119843GT	TANK ASSY,GAS,17GAL PLASTIC.....1 <i>Gasoline/LPG models; to SN 39871</i>		35B	119982GT	FUEL PICKUP,3/8X1/4NPT X 1775.....1 <i>from SN 39872</i>	
13B	128850GT	ASSEMBLY, FUEL TANK, Z45 GAS.....1 <i>Gasoline/LPG models; from SN 39872</i>		36	119918GT	CAP,FUEL,GASOLINE 3.5PSI <i>Gasoline/LPG models</i>	
--	128851GT	GAUGE, FUEL TANK, GAS <i>Gasoline/LPG models; from SN 39872</i>		--	101726GT	CAP,FUEL,DIESEL,1/8"VENT(GRN) <i>Diesel models</i>	
13C	119798GT	FUEL TANK ASSY, 17 GAL PLASTIC.....1 <i>Diesel models</i>					
14	54205GT	HOSE END,BARB,1/4 MNPTX5/16,90....1 <i>Ford models</i>					
--	107889GT	HOSE END,BARB,3/16 MNPT,90D.....1 <i>Perkins models</i>					
--	54204GT	ELBOW,90DEG.1/4MPT-1/4 BARB.....1 <i>Deutz models</i>					
15	54325GT	FITTING,BULKHEAD,1/4NPT,FUELTK....1					
16	54437GT	HOSE END,BARB,1/4 MNPTX5/16,ST....1					
17	54324GT	FITTING,BULKHEAD,3/8NPT,FUELTK....1					
18	50416PGT	PLATE,TANK SIDE,PAINTED.....1					
19	10597GT	SCREW,HHC,1/2-13 X 1.25 GR5					
20	6095GT	WASHER,FLAT,USS,1/2",Y					
21	49000GT	L.P.TANK LATCH.....1 <i>Gasoline/LPG models</i>					
22	60143-SGT	WELD, LPG TANK MOUNT.....1 <i>Gasoline/LPG models</i>					
23	8516GT	SCREW, HCC, 3/8-16 X 1.50					
24	4828GT	NUT,NYLOCK,3/8-16					
25	60139GT	FORMING,LP BRACKET MOUNT.....1 <i>Gasoline/LPG models</i>					

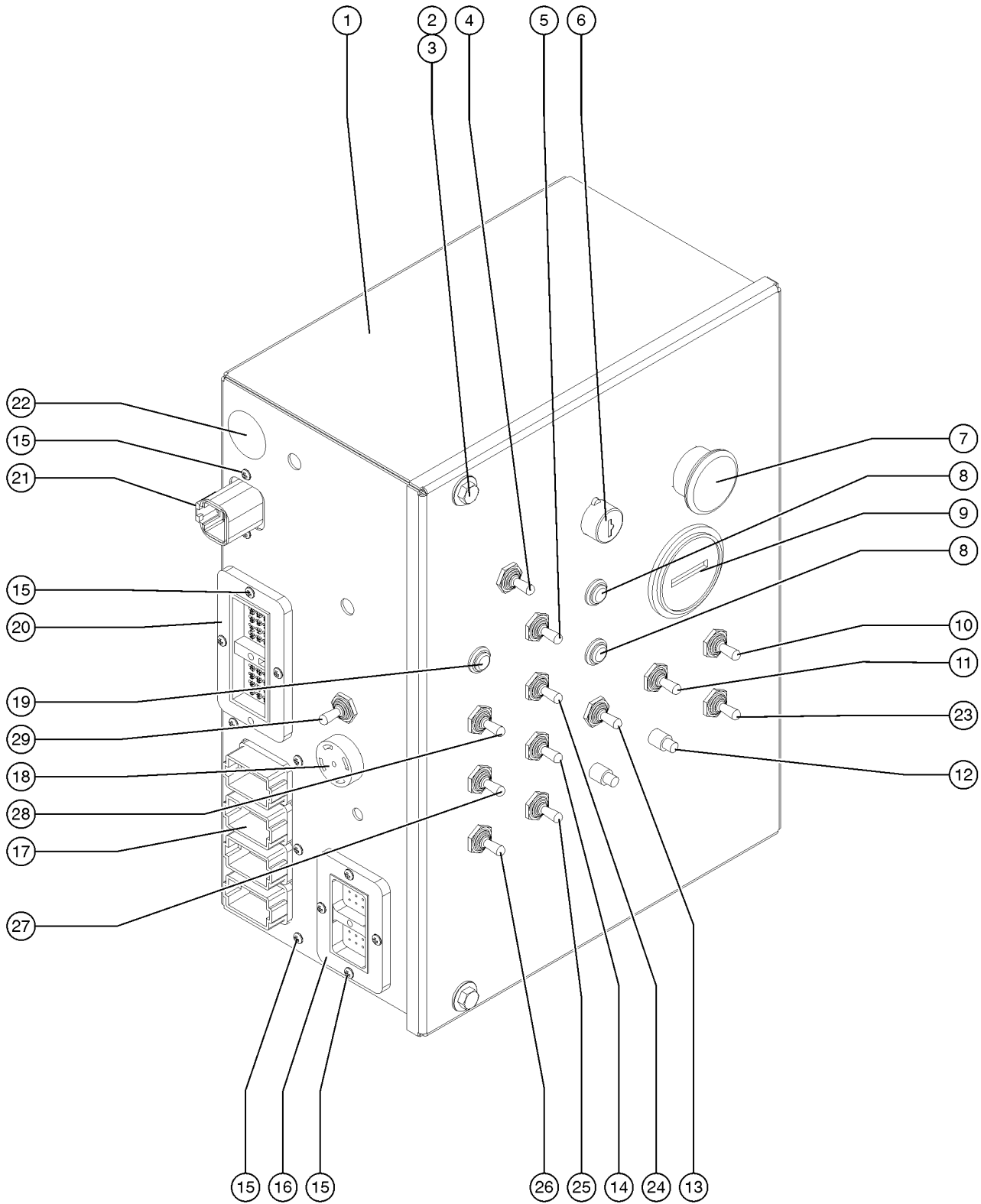
303.1 Function Manifold and Ground Control Box Placement



303.1 Function Manifold and Ground Control Box Placement

Item	Part No.	Description	Qty.
1	8516GT	SCREW, HCC, 3/8-16 X 1.50	
2	5397GT	WASHER, FLAT, USS, 5/16", Y	
3	4828GT	NUT, NYLOCK, 3/8-16	
4	6888GT	SCREW, HHC, 1/4-20 X 1	
5	6356GT	WASHER, LOCK, .25	
6	6638GT	WASHER, FLAT, USS, 1/4"Y	
7	119784PGT	COVER, CENTER SWING CHASSIS, PTD	
8	70603GT	BULKHEAD, TANKSIDE.....1	
9	6019GT	SCREW, HHC, 3/8-16 X 1.25 GRD 5	
10	70575PGT	COVER, MANIFOLD BOX MOUNT, PTD.....1	
11	6090GT	SCREW, HHC, 1/4-20 X .75	
12	6091GT	NUT, NYLOCK, 1/4-20	
13	6175GT	SCREW, HHC, 3/8-16 X 1	
14		Ref. Ground Control Box (refer to 304.1 or 305.1)	
15	6889GT	NUT, LP NYLOCK, 1/4-20	
16	29868GT	SPRING CLIP, 3/8-16, .05-.20X.73, ZAG	
17		Ref. Function Manifold (refer to 703.1)	
18A	119403GT	CONN, PLUG 120 AC/15A DOMESTIC...1	
--		FUSE, 13 AMP, 220V PLUG (component no longer available) refer to BS1362 BUSS TDC180-13A	
--	119404GT	CONN, RECEP 120AC/15A DOMESTIC	
--	1280665GT	PLUG, TYPE F, 230A, 50HZ, 16A, IP44	
--	144161GT	PLUG, PWR, UK, 16AMP, 3PIN, BLK	
--	25388GT	PLUG, FUSED, 250V, 13AMP, U.K.**	
18B	128646GT	CORD AC IEC320-C19 TO 110UK.....1 UK	
--	139318GT	BUSHING, STRAIN RELIEF, .875/.30.....1	
18C	128645GT	CORD AC IEC320-C19 TO 220EU.....1 Europe	
--	139318GT	BUSHING, STRAIN RELIEF, .875/.30.....1	
19	70675PGT	BRACKET, MANIFOLD MOUNT PAINTED	
20	6021GT	WASHER, LOCK, .375	
21	14033GT	SCREW, HHC, 3/8-16 X 2.75	
22	50570GT	WEAR PAD, PRIMARY BOOM, NON JIB.....1	
23	43956GT	WIRE CABLE, 14/3 CON.TPE JKT*.....756-inches	
24	6935GT	LOCKNUT, ELEC, 1/2".....1	
25	7056GT	CONN, SQUEEZE, 1/2NPT .38-.50, SM....1	

304.1 Ground Control Box - View 1



304.1 Ground Control Box - View 1

Item	Part No.	Description	Qty.	Item	Part No.	Description	Qty.
1	101844GT	GROUND CONTROL BOX ASSY W/DEC*.....1	1	10A	128200GT	SWITCH TOGGLE ASSY SPDT 3P MOM.....1 <i>Glow Plug; includes boot and hardware</i>	1
--	88637GT	GASKET,GROUND CONTROL BOX***		--	128578GT	SCREW T-SWITCH PH/PH 6-32X1/4	
2	6090GT	SCREW,HHC,1/4-20 X .75		--	27246GT	BOOT,TOGGLE SWITCH,SHORT*	
3	6638GT	WASHER,FLAT,USS,1/4"Y		10B	128580-SGT	SWITCH TOGGLE SPDT 3P MOM SHDR	
4A	128201GT	SWITCH TOGGLE ASSY DPDT 2P MOM.....1 <i>Auxiliary Power; includes boot and hardware</i>	1	--	128578GT	SCREW T-SWITCH PH/PH 6-32X1/4	
--	128578GT	SCREW T-SWITCH PH/PH 6-32X1/4		--	27246GT	BOOT,TOGGLE SWITCH,SHORT*	
--	27246GT	BOOT,TOGGLE SWITCH,SHORT*		10C	45384GT	PLUG,NYLON .50 BLACK DOMED <i>Gas/LPG models from SN 34011 to 41670</i>	
4B	128581-SGT	SWITCH TOGGLE DPDT 2P MOM SHDR		10D	229567GT	PLUG,SANTOPRENE .5 BLACK DOME <i>Gas/LPG models from SN 41671</i>	
--	128581-SGT	SWITCH TOGGLE DPDT 2P MOM SHDR		11A	128200GT	SWITCH TOGGLE ASSY SPDT 3P MOM.....1 <i>Engine Start; includes boot and hardware</i>	1
--	27246GT	BOOT,TOGGLE SWITCH,SHORT*		--	128578GT	SCREW T-SWITCH PH/PH 6-32X1/4	
5A	128205GT	SWITCH TOGGLE ASSY DPDT 2P MNT.....1 <i>Fuel Select(Gas/LPG); includes boot and hardware</i>	1	--	27246GT	BOOT,TOGGLE SWITCH,SHORT*	
--	128578GT	SCREW T-SWITCH PH/PH 6-32X1/4		11B	128580-SGT	SWITCH TOGGLE SPDT 3P MOM SHDR	
--	27246GT	BOOT,TOGGLE SWITCH,SHORT*		--	128578GT	SCREW T-SWITCH PH/PH 6-32X1/4	
5B	128585GT	SWITCH TOGGLE DPDT 2P MNT SHDR		--	27246GT	BOOT,TOGGLE SWITCH,SHORT*	
--	128578GT	SCREW T-SWITCH PH/PH 6-32X1/4		12	147094GT	ASSY, CIRCUIT BREAKER 15A.....2	2
--	27246GT	BOOT,TOGGLE SWITCH,SHORT*		13A	128202GT	SWITCH TOGGLE ASSY DPDT 3P MOM.....1 <i>Secondary Boom Up/Dn; includes boot and hardware</i>	1
5C	45384GT	PLUG,NYLON .50 BLACK DOMED <i>Perkins and Deutz from SN 34011 to A41670, from SN B101 to B1986</i>		--	128578GT	SCREW T-SWITCH PH/PH 6-32X1/4	
5D	229567GT	PLUG,SANTOPRENE .5 BLACK DOME <i>Perkins and Deutz from SN A41671; from B1987</i>		--	27246GT	BOOT,TOGGLE SWITCH,SHORT*	
6A	96008-SGT	KEYSWITCH,3 POS. W/KEYS***.....1	1	13B	128582-SGT	SWITCH TOGGLE DPDT 3P MOM SHDR	
--	94506GT	BASE,W/3 NC CONTACTS		--	128578GT	SCREW T-SWITCH PH/PH 6-32X1/4	
6B	83131GT	KEYSWITCH,3 POS W/KEYS,LOCKING.....1	1	--	27246GT	BOOT,TOGGLE SWITCH,SHORT*	
--	85239GT	NUT,RETAINER (96008)		14A	45384GT	PLUG,NYLON .50 BLACK DOMED <i>Z-45/25 from SN 34011 to 41670</i>	
7	66812GT	BUTTON,PUSH,RED MUSHROOM HEAD.....1	1	14B	229567GT	PLUG,SANTOPRENE .5 BLACK DOME <i>Z-45/25 from SN 41671</i>	
--	66818GT	CONTACT, N.C.		14C	128200GT	SWITCH TOGGLE ASSY SPDT 3P MOM <i>Z-45/25J; jib boom up/down; includes boot and hardware</i>	
--	73805GT	BASE,W/2 NC CONTACTS*** <i>includes 2 N.C. contacts</i>		--	128578GT	SCREW T-SWITCH PH/PH 6-32X1/4	
8A	824879GT	LIGHT,LED IND. RED 12V NH.....2 <i>Deutz and Perkins models</i>	2	--	27246GT	BOOT,TOGGLE SWITCH,SHORT*	
8B	119800GT	LAMP,INDICATOR,RED,14V,1.2W**.....1 <i>Ford models</i>	1	14D	128580-SGT	SWITCH TOGGLE SPDT 3P MOM SHDR	
8C	45384GT	PLUG,NYLON .50 BLACK DOMED <i>from SN 34011 to 41670</i>		--	128578GT	SCREW T-SWITCH PH/PH 6-32X1/4	
8D	229567GT	PLUG,SANTOPRENE .5 BLACK DOME <i>from SN 41671</i>		--	27246GT	BOOT,TOGGLE SWITCH,SHORT*	
9	19506GT	HOUR METER,10-80 VOLTS***.....1 <i>includes mounting bracket</i>	1	15	49820GT	SCREW,PHILLIPS,PHM,6-32 X .5.....16	16
				16	73753GT	CONN,RECEP 24 WAY,W/FLANGE.....1	1
				--	101849GT	HARNESS,PERKINS ENGINE*** <i>Perkins</i>	
				--	101886GT	HARNESS,ENGINE,DEUTZ <i>Deutz</i>	

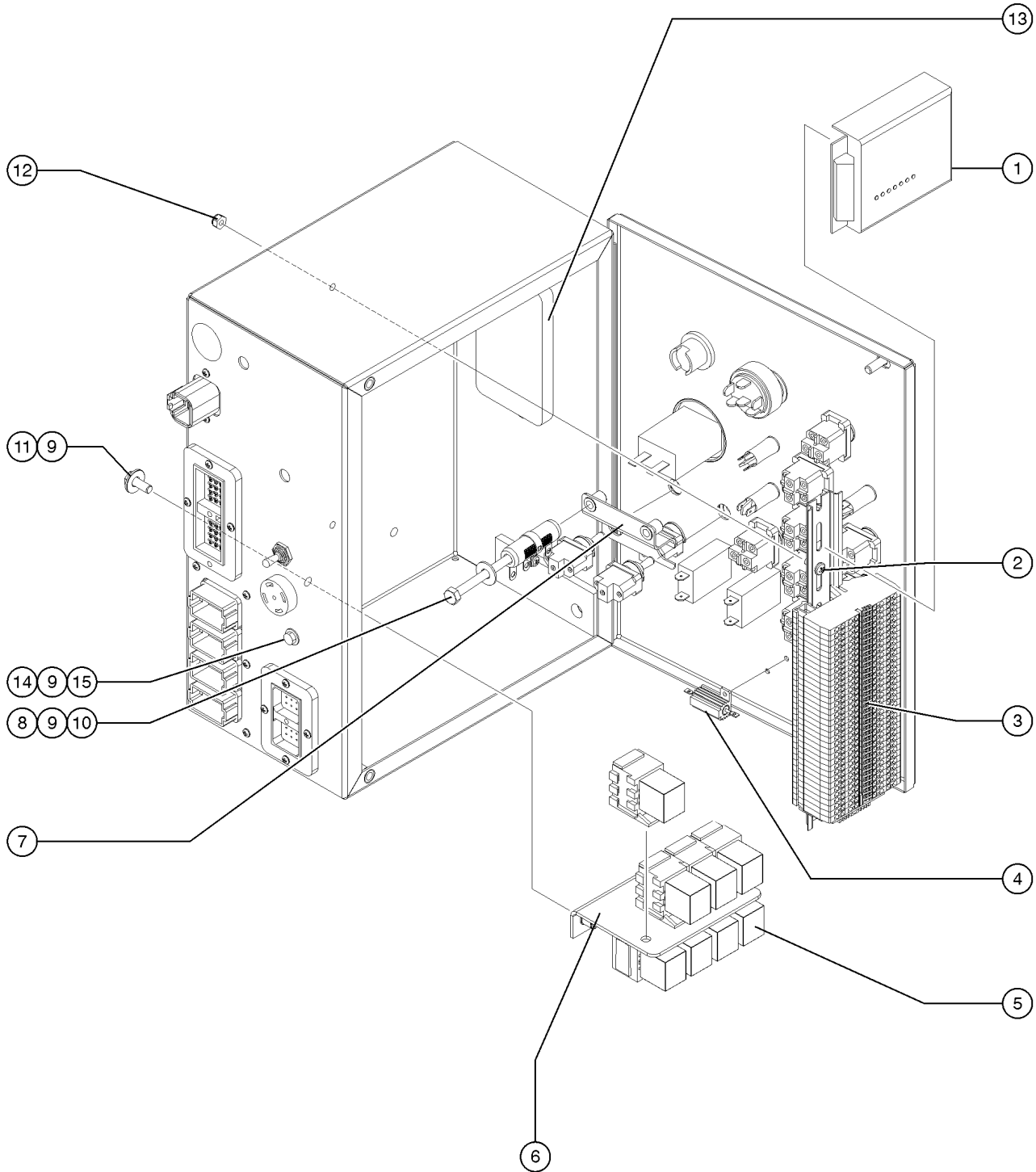
304.1 Ground Control Box - View 1
(continued)

Item	Part No.	Description	Qty.	Item	Part No.	Description	Qty.
--	119776GT	HARNESS,FORD DSG423,Z45		--	128578GT	SCREW T-SWITCH PH/PH 6-32X1/4	
--	48767GT	SLEEVE,NYLON,1.42 ID.....30-inches		--	27246GT	BOOT,TOGGLE SWITCH,SHORT*	
--	60757GT	PLUG,SEAL,12-18 GA		24B	128582-SGT	SWITCH TOGGLE DPDT 3P MOM SHDR	
--	73714GT	TERM,NI SOC,S&F,16-18GA,REEL		--	128578GT	SCREW T-SWITCH PH/PH 6-32X1/4	
--	73749GT	CONN,PLUG 24 WAY,DRC SERIES.....1		--	27246GT	BOOT,TOGGLE SWITCH,SHORT*	
17	73736GT	CONN,RECEP 48 WAY,4 X 12.....1		25A	128200GT	SWITCH TOGGLE ASSY SPDT 3P MOM.....1 <i>Platform Level; includes boot and hardware</i>	
--	119061GT	CONN PLUG 12 WAY ENDCAP DT GY		--	128578GT	SCREW T-SWITCH PH/PH 6-32X1/4	
--	119062GT	CONN PLUG 12 WAY ENDCAP DT BK		--	27246GT	BOOT,TOGGLE SWITCH,SHORT*	
--	119063GT	CONN PLUG 12 WAY ENDCAP DT GR		25B	128580-SGT	SWITCH TOGGLE SPDT 3P MOM SHDR	
--	119064GT	CONN PLUG 12 WAY ENDCAP DT BR		--	128578GT	SCREW T-SWITCH PH/PH 6-32X1/4	
--	54255GT	LOCK,RECEP 12 WAY, 14-18GA		--	27246GT	BOOT,TOGGLE SWITCH,SHORT*	
--	60435GT	LOCK,PLUG 12 WAY,14-18GA,GRN		--	27246GT	BOOT,TOGGLE SWITCH,SHORT*	
--	61801GT	SEAL DT SERIES-12W		26A	128202GT	SWITCH TOGGLE ASSY DPDT 3P MOM.....1 <i>Platform Rotate; includes boot and hardware</i>	
--	88721-73000GT	HARNESS,18/19 BOOM CABLE #1		--	128578GT	SCREW T-SWITCH PH/PH 6-32X1/4	
--	88722-73000GT	HARNESS,18/19,BOOM CABLE #2 <i>non-jib models</i>		--	27246GT	BOOT,TOGGLE SWITCH,SHORT*	
18	45462GT	ALARM,CHIME TONE 5-25VDC***1 <i>CE models (does not include 72326 nut)</i>		26B	128582-SGT	SWITCH TOGGLE DPDT 3P MOM SHDR	
--	72326GT	NUT - PLASTIC,RING FOR ALARMS		--	128578GT	SCREW T-SWITCH PH/PH 6-32X1/4	
19A	824879GT	LIGHT,LED IND. RED 12V NH <i>CE models</i>		--	27246GT	BOOT,TOGGLE SWITCH,SHORT*	
19B	45384GT	PLUG,NYLON .50 BLACK DOMED <i>from SN 34011 to 41670</i>		27A	128202GT	SWITCH TOGGLE ASSY DPDT 3P MOM.....1 <i>Turntable Rotate; includes boot and hardware</i>	
19C	229567GT	PLUG,SANTOPRENE .5 BLACK DOME <i>from SN 41671</i>		--	128578GT	SCREW T-SWITCH PH/PH 6-32X1/4	
20	73751GT	CONN,PLUG 40 WAY,DRC SERIES.....1		--	27246GT	BOOT,TOGGLE SWITCH,SHORT*	
--	107993GT	HARNESS,IC FUNCTION MANIFOLD		27B	128582-SGT	SWITCH TOGGLE DPDT 3P MOM SHDR	
--	73754GT	CONN,RECEP 40 WAY,W/FLANGE		--	128578GT	SCREW T-SWITCH PH/PH 6-32X1/4	
21	60527GT	CONN,PLUG 4 WAY,12-14GA.....1		--	27246GT	BOOT,TOGGLE SWITCH,SHORT*	
--	60526GT	LOCK,RECEP 4 WAY,12-14GA		28A	128200GT	SWITCH TOGGLE ASSY SPDT 3P MOM.....1 <i>Primary Boom Ext/Ret; includes boot and hardware</i>	
--	60528GT	LOCK,PLUG 4 WAY,12-14GA		--	128578GT	SCREW T-SWITCH PH/PH 6-32X1/4	
--	73717GT	CONN,RECEP 4 WAY,12-14GA FL***		--	27246GT	BOOT,TOGGLE SWITCH,SHORT*	
--	88723-72700GT	HARNESS,12/3,12V TO PLAT		28B	128580-SGT	SWITCH TOGGLE SPDT 3P MOM SHDR	
22	15243GT	PLUG,NYLON .875 BLACK DOMED.....1		--	128578GT	SCREW T-SWITCH PH/PH 6-32X1/4	
23A	128200GT	SWITCH TOGGLE ASSY SPDT 3P MOM.....1 <i>Function Enable; includes boot and hardware</i>		--	27246GT	BOOT,TOGGLE SWITCH,SHORT*	
--	128578GT	SCREW T-SWITCH PH/PH 6-32X1/4		--	27246GT	BOOT,TOGGLE SWITCH,SHORT*	
--	27246GT	BOOT,TOGGLE SWITCH,SHORT*		29A	128205GT	SWITCH TOGGLE ASSY DPDT 2P MNT1 <i>Test; includes boot and hardware</i>	
23B	128580-SGT	SWITCH TOGGLE SPDT 3P MOM SHDR		--	128578GT	SCREW T-SWITCH PH/PH 6-32X1/4	
--	128578GT	SCREW T-SWITCH PH/PH 6-32X1/4		--	27246GT	BOOT,TOGGLE SWITCH,SHORT*	
--	27246GT	BOOT,TOGGLE SWITCH,SHORT*		29B	128585GT	SWITCH TOGGLE DPDT 2P MNT SHDR	
24A	128202GT	SWITCH TOGGLE ASSY DPDT 3P MOM.....1 <i>Primary Boom Up/Dn; includes boot and hardware</i>		--	128578GT	SCREW T-SWITCH PH/PH 6-32X1/4	
				--	27246GT	BOOT,TOGGLE SWITCH,SHORT*	



This Page Intentionally Left Blank

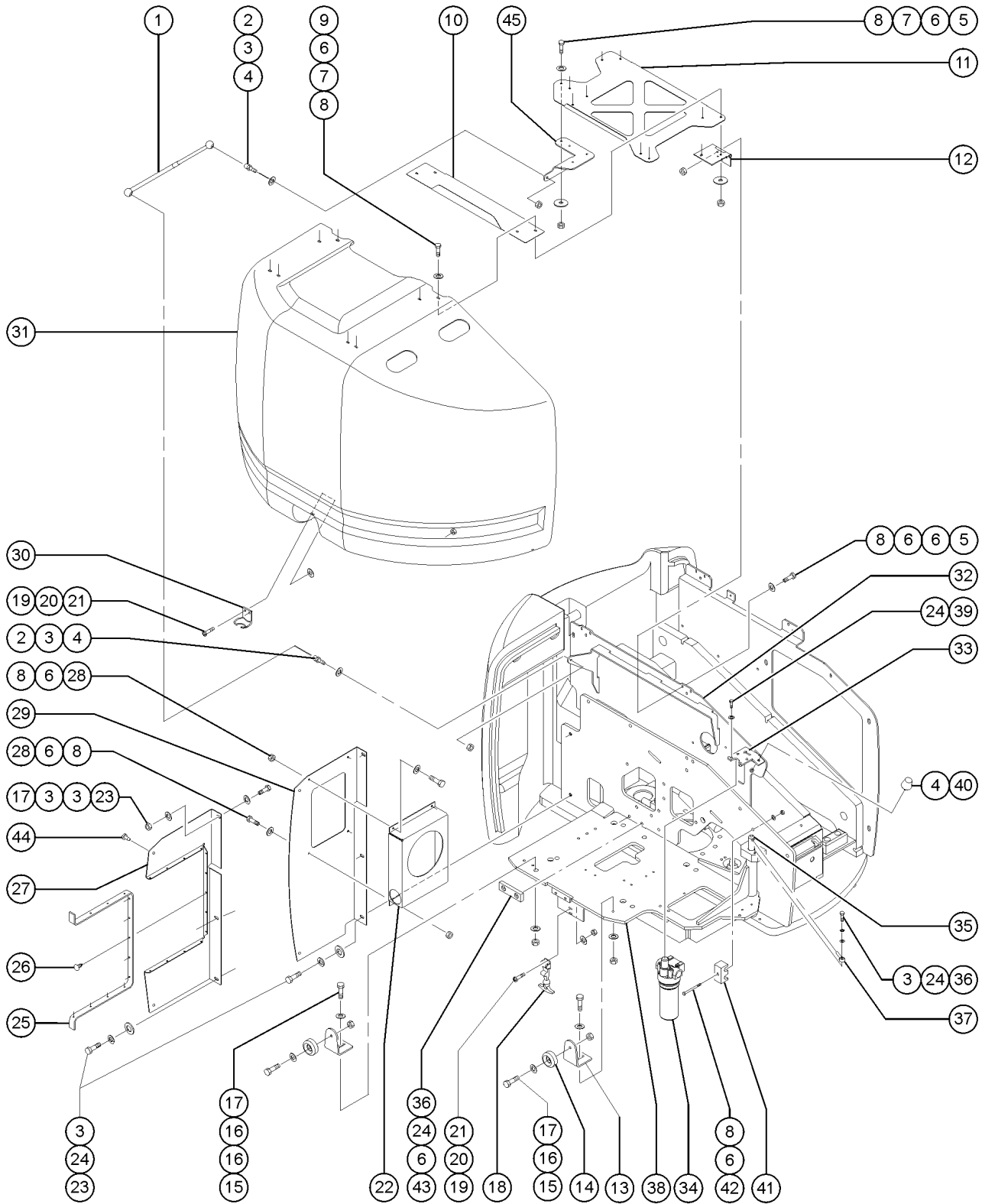
305.1 Ground Control Box - View 2



305.1 Ground Control Box - View 2

Item	Part No.	Description	Qty.	Item	Part No.	Description	Qty.
--	121846GT	RELAY,TIME DELAY,2 SEC,10A <i>from SN 10A-39314, 10B-1488</i>		11	8914GT	SCREW,HHC,1/4-20 X .625	
--	30997GT	CORROSION INHIBITOR,FOAM		12	6178GT	NUT,NYLOCK,10-32	
1	56057GT	MODULE,IGNITION/START,12/24V.....1 <i>Deutz and Perkins</i>		13	128045GT	MODULE,LOAD SENSE 2007.....1	
2	49819GT	SCREW,PHILLIPS,PHM,10-32 X .5		14	6888GT	SCREW,HHC,1/4-20 X 1	
3A		ASSEMBLY,TERMINAL RAIL.....1 <i>(94593 no longer available, use kit 217046)</i>		15	6091GT	NUT,NYLOCK,1/4-20	
--	216793GT	TERMINAL BLOCK END PLATE.....2 <i>(for 94593)</i>					
--	74911GT	TERMINAL BLOCK, WIELAND***.....33 <i>(for 94593)</i>					
--	74913GT	END STOP, DIN RAIL,SCREW CLAMP <i>(for 94593)</i>					
--	74917GT	JUMPER COMB, 2-WAY,WIELAND <i>(for 94593)</i>					
--	74920GT	MARKING TAGS,# 1-10,WIELAND <i>(for 94593)</i>					
--	74921GT	MARKING TAGS,# 11-20,WIELAND <i>(for 94593)</i>					
--	74922GT	MARKING TAGS,# 21-30,WIELAND <i>(for 94593)</i>					
--	74923GT	MARKING TAGS,# 31-40,WIELAND <i>(for 94593)</i>					
--	74924GT	MARKING TAGS,# 41-50,WIELAND** <i>(for 94593)</i>					
--	77430GT	CAPACITOR,3 MF,50VDC <i>TB41 (for 94593)</i>					
3B	217046GT	KIT, TERMINAL BLOCK <i>use to replace 94593</i>					
--	216791GT	TERMINAL BLOCK,WIELAND <i>(for 217046)</i>					
--	74917GT	JUMPER COMB, 2-WAY,WIELAND <i>(for 217046)</i>					
4	89575GT	RESISTOR,7.5 OHM,25 WATT,1PCNT....1					
--	6272GT	RIVET,STL,STL,P,.125 X .25					
5	34052GT	RELAY,SPDT,12V(AUTO) PLUG IN**.....8					
--	34053GT	ASSY,RELAY SOCKET, AUTO					
--	34054GT	TERM,RELAY N-INSULATED 10-12 G					
--	34055GT	TERM RELAY,N-INSULATE 14-16 GA					
6	54534GT	ANGLE,RELAY MNT,W/NUTSERTS,PNT.....1					
--	23404GT	NUTSERT,1/4-20,STEEL CAD PLTD					
7	54525GT	BRACKET-PANEL-WIRE MOUNTING 99.....1					
--	23404GT	NUTSERT,1/4-20,STEEL CAD PLTD					
8	12343GT	SCREW,HHC,1/4-20 X 3					
9	6638GT	WASHER,FLAT,USS,1/4"Y					
10	101010GT	RESISTOR,20 OHMS,25W,ADJ***.....1					

306.1 Turntable Covers, Engine Side



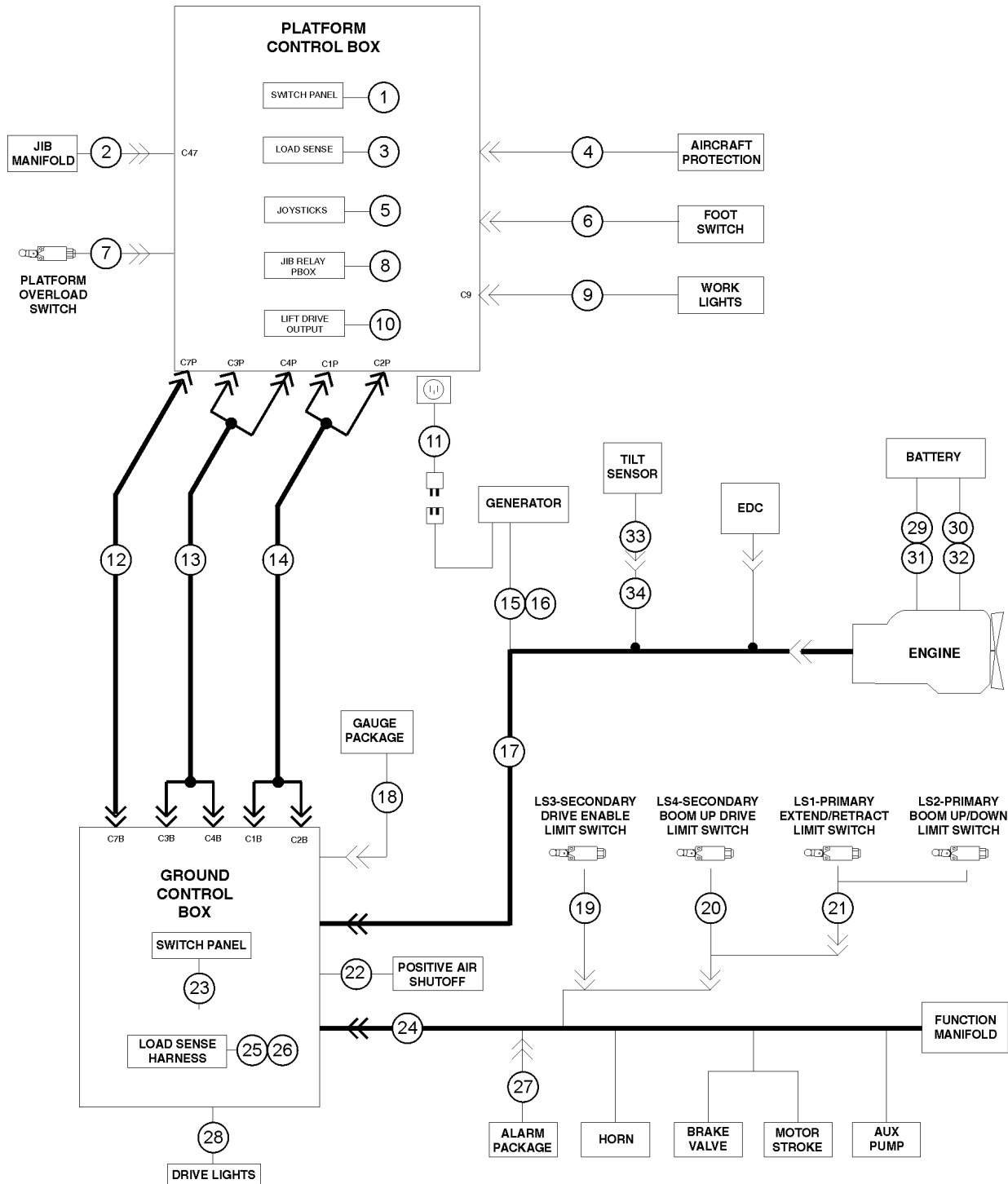
306.1 Turntable Covers, Engine Side

Item	Part No.	Description	Qty.	Item	Part No.	Description	Qty.
1	106069GT	STRUT,GAS,200 LB***.....	2	--	58222GT	O-RING,FILTER ASSY (60334)***	
--	27377GT	RETAINER,GAS SPRING***		--	58223GT	SEAL,FILTER ASSY (60334)***	
2	33555GT	BALL STUD**.....	2	--	60857GT	FILTER,ELEMENT,BETA(5)=1000	
3	5397GT	WASHER,FLAT,USS,5/16",Y		35	107803GT	PIN,1.00DIAX15.56LG,CHAMFER.....	1
4	6782GT	NUT,NYLOCK,5/16-18		36	6019GT	SCREW,HHC,3/8-16 X 1.25 GRD 5	
5	6888GT	SCREW,HHC,1/4-20 X 1		37	1255452GT	ROD END,.375 X 2.25,ZAG.....	1
6	6638GT	WASHER,FLAT,USS,1/4"Y		38		ASSEMBLY, ENGINE TRAY.....	1
7	12906GT	WASHER,FENDER,.25 X 1.25 X.062				<i>refer to section 411.1</i>	
8	6091GT	NUT,NYLOCK,1/4-20		--	25817GT	BEARING,1.00IDX1.25ODX1.00L	
9	8915GT	SCREW,HHC,1/4-20 X 1.25		39	8255GT	SCREW,HHC,3/8-16 X .75	
10	106676GT	FORMING,COVER PLATE.....	1	40	30973GT	BUMPER,RUBBER-1 X 1.25.....	1
11	110483PGT	FORMING,COVER SUPPORT,PNTD		41	70606GT	BLOCK,CABLE CLAMP,2/0 DOUBLE....	4
12	75073GT	HINGE,.375X.120THK.,SLOTTED.....	2	42	4266GT	SCREW,HHC,1/4-20 X 2	
13	54363GT	BRACKET,RUBBER BUMPER,ENGCOVER.....	2	43	30138GT	WEAR PAD,5 X 1.5 X .625 W/NUTS.....	1
14	50974GT	BUMPER,RUBBER,COVERS.....	2	44	34619GT	BUMPER,RUBBER***.....	2
15	13918GT	SCREW,HHC,3/8-16 X 1.75,GRD.8		45	110941PGT	FORMING,STRUT SUPPORT,PNTD	
16	6097GT	WASHER,FLAT,USS,3/8",Y					
17	4828GT	NUT,NYLOCK,3/8-16					
18	45363GT	LATCH,FLEXIBLE DRAW W/O KEEPER.....	2				
19	75041GT	SCREW,PHILLIPS,PHM,10-32 X 1					
20	6146GT	WASHER,FLAT,MS,#10,Y					
21	6178GT	NUT,NYLOCK,10-32					
22	101137PGT	DUCT,AIR INTAKE PAINTED.....	1				
		<i>Deutz models</i>					
23	6175GT	SCREW,HHC,3/8-16 X 1					
24	6021GT	WASHER,LOCK,.375					
25	54616GT	SEAL,RUBBER,BAFFLE,PERKIN/FORD.1					
		<i>Ford and Perkins models</i>					
26	54723GT	PLUG,1/4 X .400",BLK					
		<i>Ford and Perkins models</i>					
27	110864GT	BAFFLE,FORD,Z45/51					
		<i>Ford models</i>					
--	54608PGT	PLATE,AIR BAFFLE,FORD,PAINTED					
		<i>Perkins models</i>					
28	6090GT	SCREW,HHC,1/4-20 X .75					
29	50581PGT	PLATE,AIR INTAKE ADAPTER,PAINT....	1				
		<i>Deutz models</i>					
30	75076GT	KEEPER,LATCH (45363).....	1				
31	119411GT	COVER ASSY,IC,ENGINE SIDE.....	1				
		<i>does not include decals. refer to section 1 for decals</i>					
32	119628GT	WELDMENT,BULKHEAD,ENG SIDE IC.....	1				
33	88269GT	BRACKET,HIGH PRESSURE FILTER.....	1				
34	60334GT	FILTER ASSY,HIGH PRESS SAE-12*.....	1				

307.1 Turntable Covers, Tank Side

Item	Part No.	Description	Qty.	Item	Part No.	Description	Qty.
1	75073GT	HINGE,,.375X.120THK.,SLOTTED.....	2	24	65888GT	CONN. BODY, 6.35 X 14.1, FORD.....	1
2	50965PGT	PLATE,COVER SPACER,PAINTED.....	1	25	27089GT	HOSE,5/16 FUEL,SAE 30R7.....	32-inches
3	6145GT	SCREW,HHC,1/4-20 X 1.5		26	27089GT	HOSE,5/16 FUEL,SAE 30R7.....	31-inches
4	12906GT	WASHER,FENDER,.25 X 1.25 X.062		27	1272019GT	FILTER, FUEL.....	1
5A	101574GT	COVER,TRNTBL,RH,W/SYM DECALS		--	27089GT	HOSE,5/16 FUEL,SAE 30R7.....	25-inches
5B	228783GT	ASSY,COVER,HYD TANK,Z45/51 IC <i>Australia</i>		--	66031GT	CLAMP,1.88,#30 X 3/8,RUB CUSH.....	1
6	29883GT	SCREW,HHC,5/8-11 X 1.75 GRD.8.....	2	28	45363GT	LATCH,FLEXIBLE DRAW W/O KEEPER.....	1
7	49816GT	SCREW,PHILLIPS,PHM,10-32 X .75		29	17712GT	SCREW,FHS,3/8-16 X 1.75	
8	6146GT	WASHER,FLAT,MS,#10,Y		30	5397GT	WASHER,FLAT,USS,5/16",Y	
9	6178GT	NUT,NYLOCK,10-32		31	4828GT	NUT,NYLOCK,3/8-16	
10	6036GT	WASHER,LOCK,.625 PLTD		32	54073GT	WEAR PAD,TANK SIDE BUMPER.....	1
11	13064GT	WASHER,FLAT,.625 HARDENED.....	2	33	6884GT	SCREW,HHC,1/4-20 X 2.5	
12	107805PGT	EAR, ENGINE TRAY PIVOT,PAINTED....	1	34	6889GT	NUT,LP NYLOCK,1/4-20	
13	75076GT	KEEPER,LATCH (45363).....	1	35	6833GT	CLAMP,0.50,#8 X 1/4,RUB CUSH	
14	77524GT	TUBE,PROP ROD,18.63",W/CAP.....	1	36	81578GT	HORN,12VDC,SPADE TERMINALS***....	1
		<i>includes item 15</i>		37	6175GT	SCREW,HHC,3/8-16 X 1	
15	55753GT	BUMPER, PLASTIC, 1.25 O.D.....	1	38	60037GT	COUNTERWEIGHT,CAST,3500LBS.....	1
16	119168GT	FUEL PUMP,DSG-423 AND MSG-425....	1			<i>refer to items 45-47 for fasteners</i>	
--	65892GT	CONN. ASSY,7.9 TUBE X6.35 HOSE		39	10597GT	SCREW,HHC,1/2-13 X 1.25 GR5	
--	66031GT	CLAMP,1.88,#30 X 3/8,RUB CUSH.....	1	40	6033GT	WASHER,LOCK,0.5"	
17	231645GT	HOSE,FUEL,5/16 HIGH PRESSURE 28 IN.....	1	41	6095GT	WASHER,FLAT,USS,1/2",Y	
		<i>28 inches</i>		42	6833GT	CLAMP,0.50,#8 X 1/4,RUB CUSH.....	1
--	231642GT	HOSE,FUEL,5/16 HIGH PRESSURE 132 IN.....	1	43	6888GT	SCREW,HHC,1/4-20 X 1	
		<i>132 inches</i>		44	18666GT	CLAMP,1.00,#16 X 1/4,RUB CUSH.....	1
--	231643GT	HOSE,FUEL,5/16 HIGH PRESSURE 55 IN.....	1	45	42078GT	SCREW,HHC,1-8 X 3 GRD.5.....	4
		<i>55 inches</i>		46	29605GT	WASHER,LOCK,1".....	4
--	231644GT	HOSE,FUEL,5/16 HIGH PRESSURE 50 IN.....	1	47	38859GT	WASHER,FLAT,USS,1",Y.....	4
		<i>50 inches</i>					
--	231646GT	HOSE,FUEL,5/16 HIGH PRESSURE 2 IN.....	1				
		<i>2 inches</i>					
18	119423PGT	PLATE,FUEL PUMP,PNTD.....	1				
19	6090GT	SCREW,HHC,1/4-20 X .75					
20	6638GT	WASHER,FLAT,USS,1/4"Y					
21	6091GT	NUT,NYLOCK,1/4-20					
22	4266GT	SCREW,HHC,1/4-20 X 2					
23	119170GT	FUEL SENSOR ASSY.....	1				
--	119483GT	FUEL JUMPER HARNESS					
--	217828GT	FITTING, SAE 6, MSG425 <i>not included with 11970, order seperately</i>					
--	217829GT	FITTING, SAE 3, MSG425 <i>not included with 11970, order seperately</i>					

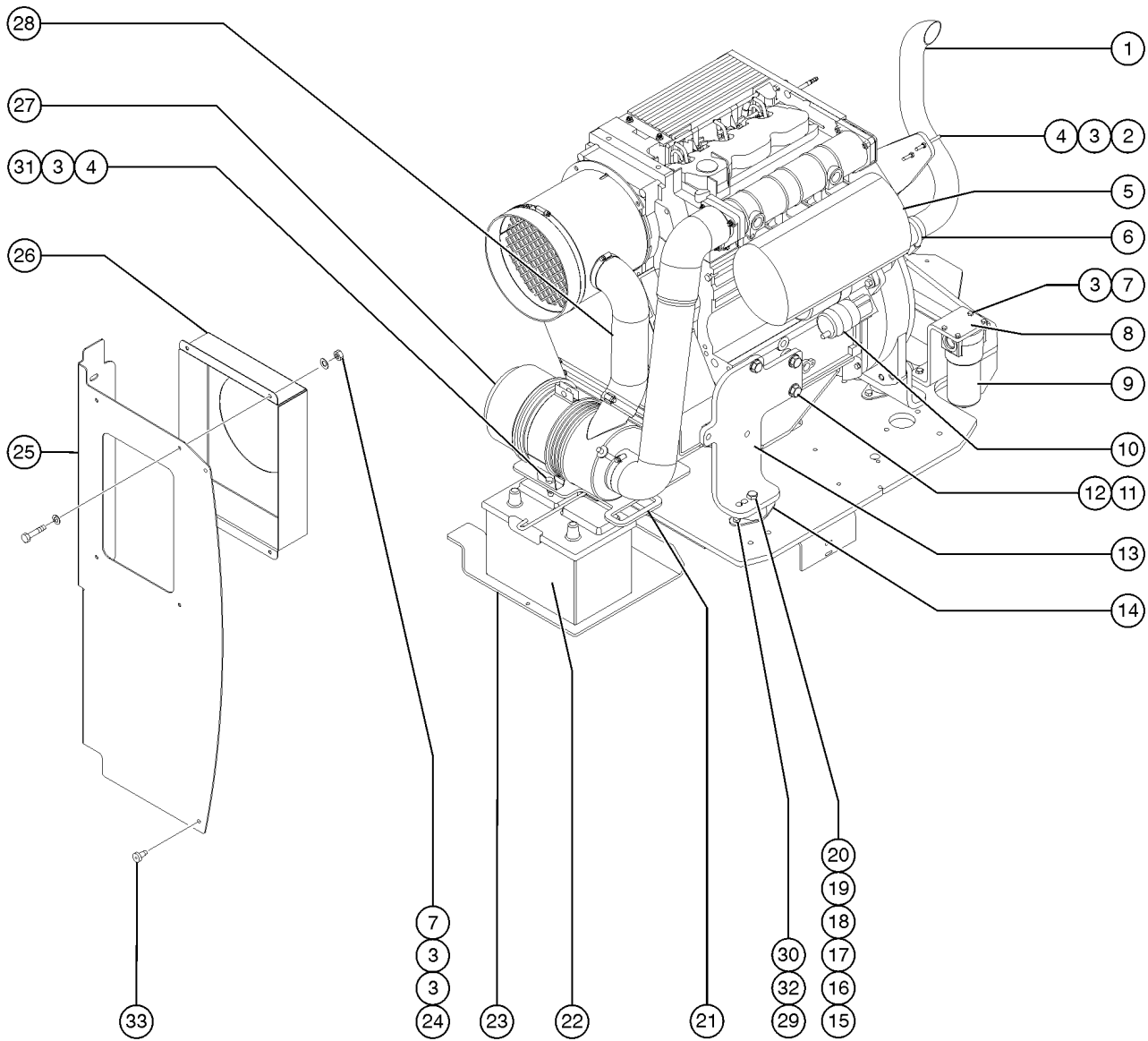
308.1 Wire Harness Diagram



308.1 Wire Harness Diagram

Item	Part No.	Description	Qty.	Item	Part No.	Description	Qty.
B	1264822GT	KIT, TRC RETROFIT, STNDRD <i>Telematics (includes 1264834)</i>		16	106564GT	HARNESS,GEN GROUND.....1	
--	1264834GT	INSTRN, TRC RETROFIT, STNDRD		17A	110269GT	HARNESS PERKINS ENGINE Z45 ALT.....1	
1	T108153GT	HARNESS KIT,Z45/51 PLAT BOX.....1 <i>(from SN 22051 to 31327) (direct replacement for 94721)</i>		17B	101886GT	HARNESS,ENGINE,DEUTZ.....1	
--	119611GT	HARNESS,PBOX JOYSTICKS <i>(from SN 22051 to 31327)</i>		17C	119776GT	HARNESS,FORD DSG423,Z45.....1	
--	119612GT	HARNESS,PBOX WIRING*** <i>(from SN 22051 to 31327)</i>		--	119483GT	FUEL JUMPER HARNESS <i>(from SN 38133)</i>	
--	122125GT	ADAPTER CABLE, JS100 JOYSTICK <i>(from SN 22051 to 31327)</i>		--	147428GT	HARNESS, FORD STARTER <i>(from SN 39705)</i>	
2A	101080GT	HARNESS,JIB SELECT MANIFOLD.....1		18A	77285GT	HARNESS,GAUGE OPT.,Z45 DEUTZ**.....1 <i>(Ford and Perkins models)</i>	
2B	119867GT	WIRING KIT,JIB TIME DELAY IC.....1		18B	107551GT	HARNESS,GAUGE OPT.,Z45 DEUTZ <i>(Deutz models)</i>	
--	19274GT	RELAY,SPDT,12V(AUTO)**		19	110160GT	HARNESS,LS,D.E. Z45.....1	
--	43181GT	CAPACITOR,TIME DELAY		20	88724GT	HARNESS,LS,PRIM/EXT/SEC.....1	
3	147031GT	HARNESS, LOAD SENSE.....1		21	88725GT	HARNESS,LS,PRIM/EXT.....1	
4	228449GT	HARNESS,PROX KILL.....1		22	128064GT	HARNESS, POSITIVE AIR SHUTOFF....1 <i>(Australia models)</i>	
5	119611GT	HARNESS,PBOX JOYSTICKS.....1		23A	94682GT	HARNESS,BASE DD/PD.....1 <i>(Perkins and Deutz models)</i>	
6		Ref. Foot Switch.....1 <i>(refer to 601.1)</i>		23B	94681GT	HARNESS,BASE FORD.....1 <i>(Ford models)</i>	
7A	121848GT	ASSY,LS,LOAD SENSE,38.5 IN.....1 <i>(jib models)</i>		24	107993GT	HARNESS,IC FUNCTION MANIFOLD....1	
7B	147786GT	ASSY, LS, LOAD SENSE, 89 IN.....1 <i>(non-jib models)</i>		25A	147225GT	S60 ASSEMBLY, GBOX.....1	
8	77419GT	HARNESS,PLATFORM,Z45/25,IC,JIB....1 <i>(jib models)</i>		25B	216754GT	HARNESS,JUMPER,LOAD SENSE.....1 <i>(Australia models)</i>	
9		Ref. Work Lights.....1 <i>(refer to 916.1)</i>		26	88832GT	HARNESS,PLUG,NON-LOAD WEIGHING.....1	
10	T108109GT	LIFT/DRIVE CUTOUT, Z45/Z51IC.....1		27	119985GT	HARNESS,ALARM OPTION,Z45.....1	
11	43955GT	WIRE CABLE,12/3 CON.TPE JKT.....756-inches		28	147532GT	HARNESS,DRIVE LIGHT OPTION.....1	
12A	88723-72700GT	HARNESS,12/3,12V TO PLAT.....1 <i>(non-jib models)</i>		29	70609GT	BATTERY CABLE,1/0,BLK,91****.....1	
12B	88723-71000GT	HARNESS,12/3,12V TO PLAT.....1 <i>(green and brown connectors)</i>		30	70608GT	BATTERY CABLE,1/0,RED,105****.....1	
13A	88721-73000GT	HARNESS,18/19 BOOM CABLE #1.....1 <i>(non-jib models) (Z-45/25; green and brown connectors)</i>		31	70646GT	BATTERY CABLE,BLK,#2,5/16,3/8*.....1	
13B	88721-72000GT	HARNESS,18/19 BOOM CABLE #1.....1 <i>(brown and green; IC JIB / DC non jib)</i>		32	70645GT	BATTERY CABLE,RED#2,5/16,5/16.....1	
14A	88722-73000GT	HARNESS,18/19,BOOM CABLE #2.....1 <i>(non-jib models) (Z-45/25 non-jib; gray and black connectors)</i>		33	1264947GT	KIT, LEVEL SENSOR, 6 PIN CONN.....1 <i>For ANSI/CSA models with 6-pin wire harness connector, includes instructions</i>	
14B	88722-72000GT	HARNESS,18/19,BOOM CABLE #2.....1 <i>(black and gray; IC JIB / DC non jib)</i>		34	1260218GT	HARNESS,TILT ALARM,12V.....1 <i>for CSA models</i>	
15A	101939GT	HARNESS, BD GEN.110V/60HZ Z45P...1 <i>(Perkins models)</i>					
15B	106030GT	HARNESS, BD GEN.110V/60HZ Z45D...1 <i>(Deutz models)</i>					

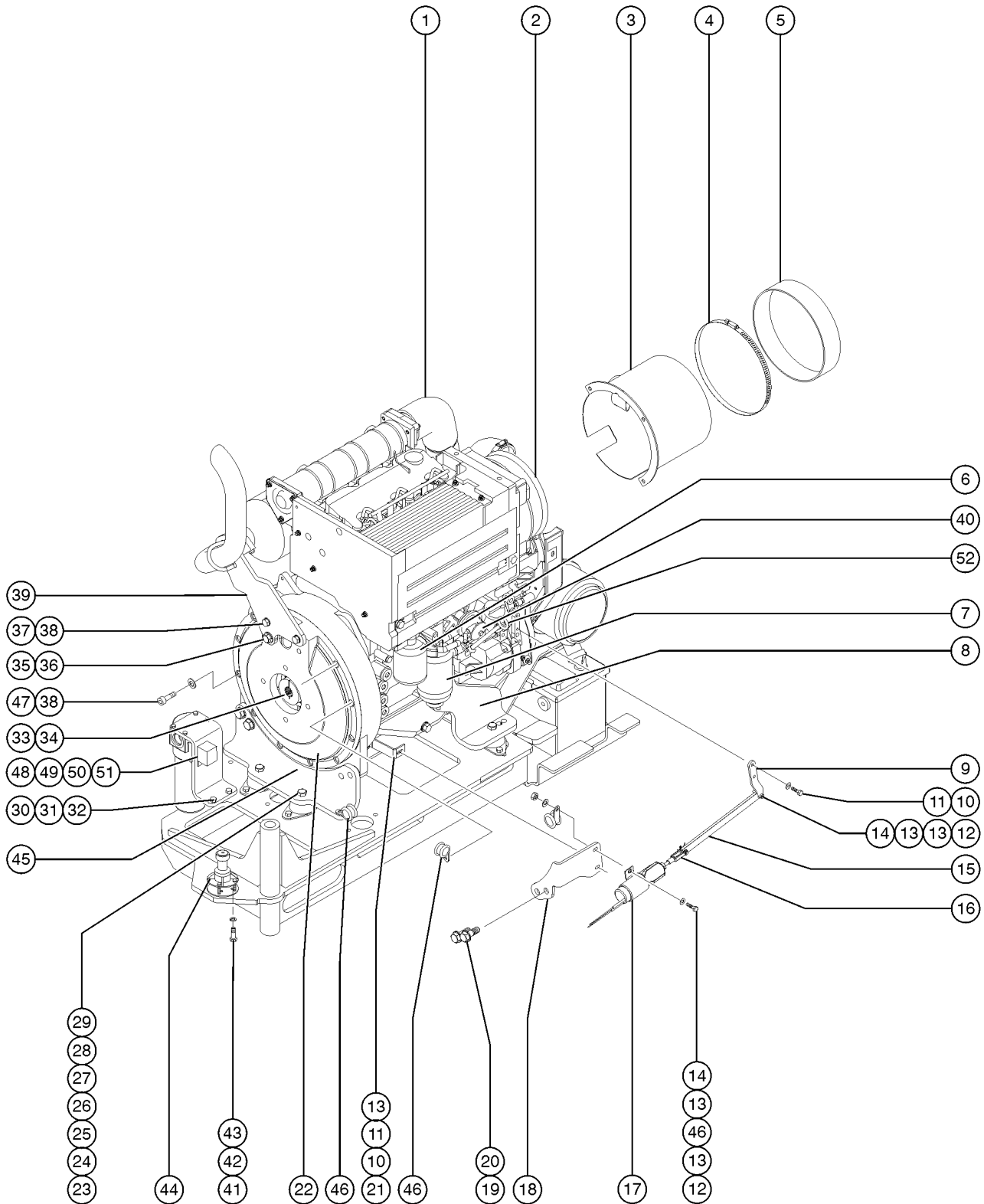
401.1 Deutz F3L 2011/ D2011L03i Engine - View 1



401.1 Deutz F3L 2011/ D2011L03i Engine - View 1

Item	Part No.	Description	Qty.	Item	Part No.	Description	Qty.
--	70453GT	ENGINE,DEUTZ D2011L03i <i>F3L1011 AND F3L1011F Engines only</i>		24	6091GT	NUT,NYLOCK,1/4-20	
1	50761GT	EXHAUST PIPE,DEUTZ 3 CYL DSL.....1		25	50581PGT	PLATE,AIR INTAKE ADAPTER,PAINT....1	
2	16584GT	U-BOLT, KIT 5/16-18 X 2.5 ***		26	101137PGT	DUCT,AIR INTAKE PAINTED.....1	
3	6638GT	WASHER,FLAT,USS,1/4"Y		27	63463GT	AIR CLEANER,NELSON***.....1 <i>plastic housing</i>	
4	18503GT	NUT,LOCKING-LG.FLANGE,5/16-18		--	52866GT	EVACUATOR VALVE-AIR CLEANER	
5	32695GT	MUFFLER,DEUTZ.....1		--	53952GT	BRKT,AIR CLEANER ORIENTATION**	
--	119117GT	MUFFLER,CAT/SPARK,DEUTZ <i>option</i>		--	58415GT	CLIP,AIR CLEANER END CAP*** <i>end cap not available separately</i>	
--	29559GT	GASKET,EXHAUST.....3 <i>for 119117, 3 required</i>		--	62420GT	FILTER,AIR***	
--	54563GT	MUFFLER,SPARK ARRESTOR,DEUTZ <i>option</i>		--	65810GT	BAFFLE, AIR CLEANER (27915)**	
--	70385GT	CLAMP,EXHAUST,2.00 PLATED <i>option</i>		28	101006GT	TUBE,AIR CLEANER INLET.....1	
6	30438GT	CLAMP,MUFFLER,2 1/4" ID.....1		29	8516GT	SCREW, HCC, 3/8-16 X 1.50	
7	6090GT	SCREW,HHC,1/4-20 X .75		30	4828GT	NUT,NYLOCK,3/8-16	
8	50696PGT	BRACKET,MID PRES OIL FILTER,PA....1		31	13000GT	SCREW,HHC,5/16-18 X 1.25	
9		FILTER ASY,M PRESS,SAE8,WOIND* (77139).....1 <i>component no longer available</i>		32	6097GT	WASHER,FLAT,USS,3/8",Y	
--	60857GT	FILTER,ELEMENT,BETA(5)=1000 <i>for 77139</i>		33	34619GT	BUMPER,RUBBER***.....2	
9A	1267807GT	ASSY, MED. PRESS. FILTER, SAE8					
--	1268229GT	ELEMENT-5 MIC, PAPER, W/ BYPASS <i>for 1267807</i>					
10	139709GT	STARTER, 12V.....1					
--	139621GT	KIT, HEAT GUARD, DEUTZ STARTER					
--	139622GT	HEAT SHIELD,DEUTZ STARTER <i>from SN 10A-39771, 10B-1528</i>					
--	49915GT	SOLENOID-STARTR DEUTZF4L1011F*					
11	22558GT	SCREW,HHC,M14 X 40MM,GR 8.8					
12	49411GT	WASHER,FLAT,M14					
13	70461PGT	FORMING,ENGINE MOUNT,FL PAINT*.....1					
14	70452GT	ISOLATOR,ENGINE VIBRATION***.....2					
15	8357GT	SCREW,HHC,1/2-13 X 3.5					
16	6095GT	WASHER,FLAT,USS,1/2",Y					
17	101730GT	SPACER,ENGINE MOUNT.....2					
18	101729GT	WASHER,VIBRATION ISOLATING.....2					
19	24040GT	WASHER, 1/2 PLATE (1/2 X 2.25 X 3/16)					
20	6198GT	NUT,NYLOCK,1/2-13					
21	101130PGT	Air Cleaner Bracket.....1					
22		BATTERY, 12V,900 CCA.....1 <i>refer to section 411.1</i>					
23	54207PGT	BRACKET,GENERATOR MOUNT,PAINT.....1					

402.1 Deutz F3L 2011/ D2011L03i Engine - View 2



402.1 Deutz F3L 2011/ D2011L03i Engine - View 2

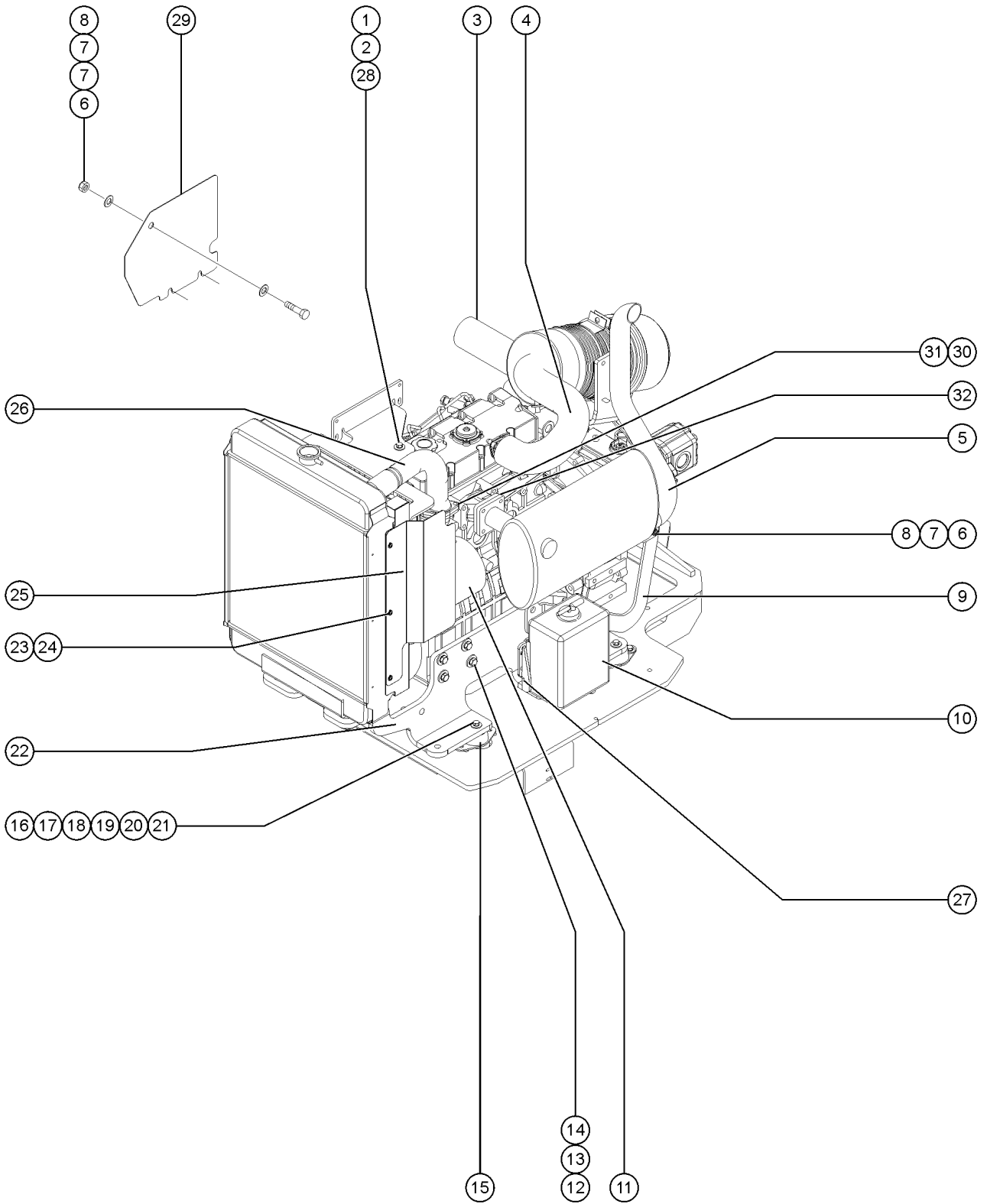
Item	Part No.	Description	Qty.	Item	Part No.	Description	Qty.
--	89780GT	FUEL LINE, DEUTZ F3L 2011F,1 METER LG		17	77402GT	SOLENOID,THROTTLE ACTUATOR DSL.....	1
--	52352GT	DIPSTICK-F3L1011F (DEUTZ) <i>verify letter code (A, B, C or D) before ordering</i>		18	101129PGT	BRACKET,SOLENOID MOUNT PAINT....	1
--	1288561GT	O-RING,FUEL INJECTOR,DEUTZ (89792) <i>for 89792</i>		19	22558GT	SCREW,HHC,M14 X 40MM,GR 8.8	
--	89792GT	INJECTOR, FUEL(DEUTZ F3L2011F)		20	49411GT	WASHER,FLAT,M14	
--	102588GT	OIL TEMP SENSOR, DEUTZ F4L2011		21	77245PGT	BRACKET,SOLEN.MOUNT BRACE,PNTD.....	1
--	139624GT	SWITCH, OIL PRESSURE 1.5 BAR.....1 <i>(replaced 65765)</i>		22	70381GT	COVER,FLYWHEEL CASTING.....	1
--	139666GT	KIT,OP SWITCH,DEUTZ <i>(oil pressure kit for models with ALC-500 control system. replaces 65765. includes item 139624 and instructions)</i>		23	10598GT	SCREW,HHC,1/2-13 X 3	
--	T114678GT	SHUTDOWN SOLENOID,12V, DEUTZ <i>(if replacing 32752 for the first time, also order 58256) (includes o-ring)</i>		24	6095GT	WASHER,FLAT,USS,1/2",Y	
--	58256GT	SOLENOID CABLE ASSY***		25	70452GT	ISOLATOR,ENGINE VIBRATION***	4
--	72255GT	CONNECTOR, DEUTZ FUEL SHUTOFF*		26	101730GT	SPACER,ENGINE MOUNT	4
1	70375GT	HOSE,AIR CLEANER.....	1	27	101729GT	WASHER,VIBRATION ISOLATING.....	4
2	35586GT	ALTERNATOR, DEUTZ F3L10/F4L10*....	1	28	24040GT	WASHER, 1/2 PLATE (1/2 X 2.25 X 3/16)	
--	32698GT	BELT,V, DEUTZ DIESEL ENGINE		29	6198GT	NUT,NYLOCK,1/2-13	
3	101140P-SGT	AIR INTAKE TUBE ASSY.....	1	30	8516GT	SCREW, HCC, 3/8-16 X 1.50	
4	31523GT	CLAMP,HOSE,8.50 DIA***	1	31	6097GT	WASHER,FLAT,USS,3/8",Y	
5	33239GT	SHEET,RUBBER,AIR INTAKE.....	1	32	4828GT	NUT,NYLOCK,3/8-16	
6	49924GT	FILTER,OIL,DEUTZ F4L1011F.....1 <i>Genie Genuine Part. See PN 1255653 for compatible aftermarket replacement.</i>		33	33024GT	FLYWHEEL FLANGE,GREEN PLASTIC.....	1
--	1255653GT	FILTER,OIL,DEUTZ,REPLACEMENT.....1 <i>Genie Aftermarket Part. Compatible with Genie Genuine Part 49924.</i>		34	37003GT	COUPLER,HUB,15 TOOTH 7/16BOLT*.....	1
7	29560GT	FILTER,FUEL/WTR SEP, DTZ 1008.....1 <i>Genie Genuine Part. See PN 1254826 for compatible aftermarket replacement.</i>		--	128023GT	KIT,FBA STYLE COUPLER,SAE8.....1 <i>replaces flex plate and coupler</i>	
--	1254826GT	FUEL FILTER W/SEP,DEUTZ,1008.....1 <i>Genie Aftermarket Part. Filter for Deutz F3L 1011F Engine.</i>		35	8177GT	SCREW,HHC,1/2-13 X 1.5	
8	70460PGT	FORMING,ENGINE MOUNT,FR PAINT*	1	36	6033GT	WASHER,LOCK,0.5"	
9	50787-SGT	LEVER, GOVERNOR ACTUATOR.....	1	37	67631GT	SCREW,HHC,M10 X 80 GR 8.8	
10	22578GT	SCREW,HHC,M6 X 20MM,GR8.8		38	22700GT	WASHER,LOCK,M10	
11	49407GT	WASHER,LOCK,M6		39	101138PGT	BRACKET,MUFFLER,DEUTZ 3 CYL PN.....	1
12	6584GT	SCREW,SHS,10-24 X .625		40	111668GT	PUMP,FUEL 2011 DEUTZ ***	1
13	25926GT	WASHER,FLAT,M6 PLTD.		--	119344GT	KIT,PRIMER BULB	
14	5365GT	NUT,NYLOCK,10-24		41	8915GT	SCREW,HHC,1/4-20 X 1.25	
15	94485GT	THROTTLE LINKAGE,DIESEL ***	1	42	6638GT	WASHER,FLAT,USS,1/4"Y	
16	21130GT	CLEVIS YOKE-1/4-28,PLTD W/PIN <i>includes clevis pin and cotter pin</i>		43	6091GT	NUT,NYLOCK,1/4-20	
				44		REF: Level Sensor.....1 <i>refer to section 409.1</i>	
				45	101592GT	FORMING,ENGINE MOUNT,REAR.....	1
				46	45454GT	CLAMP,RUB CUSH,0.75,#12 X 3/8*	4
				47	61110GT	SCREW,SHC,M10X1.5X30 GR 12.9	
				48	61225GT	RELAY,12VDC,70AMP,SEALED.....	1
				49	49816GT	SCREW,PHILLIPS,PHM,10-32 X .75	
				50	6146GT	WASHER,FLAT,MS,#10,Y	
				51	6178GT	NUT,NYLOCK,10-32	
				52	147243GT	DIPSTICK, OIL, D2011.....	1

402.1 Deutz F3L 2011/ D2011L03i Engine - View 2
(continued)

Item	Part No.	Description	Qty.
52A	139596GT	SERVICE KIT,DEUTZ DIPSTICK,Z45 <i>over-engine dipstick accessory kit</i>	
--	139595GT	DIPSTICK,INDICATOR,DEUTZ,Z45 <i>for use only after installation of 139596</i>	

This Page Intentionally Left Blank

403.1 Perkins 404-22 Engine - View 1

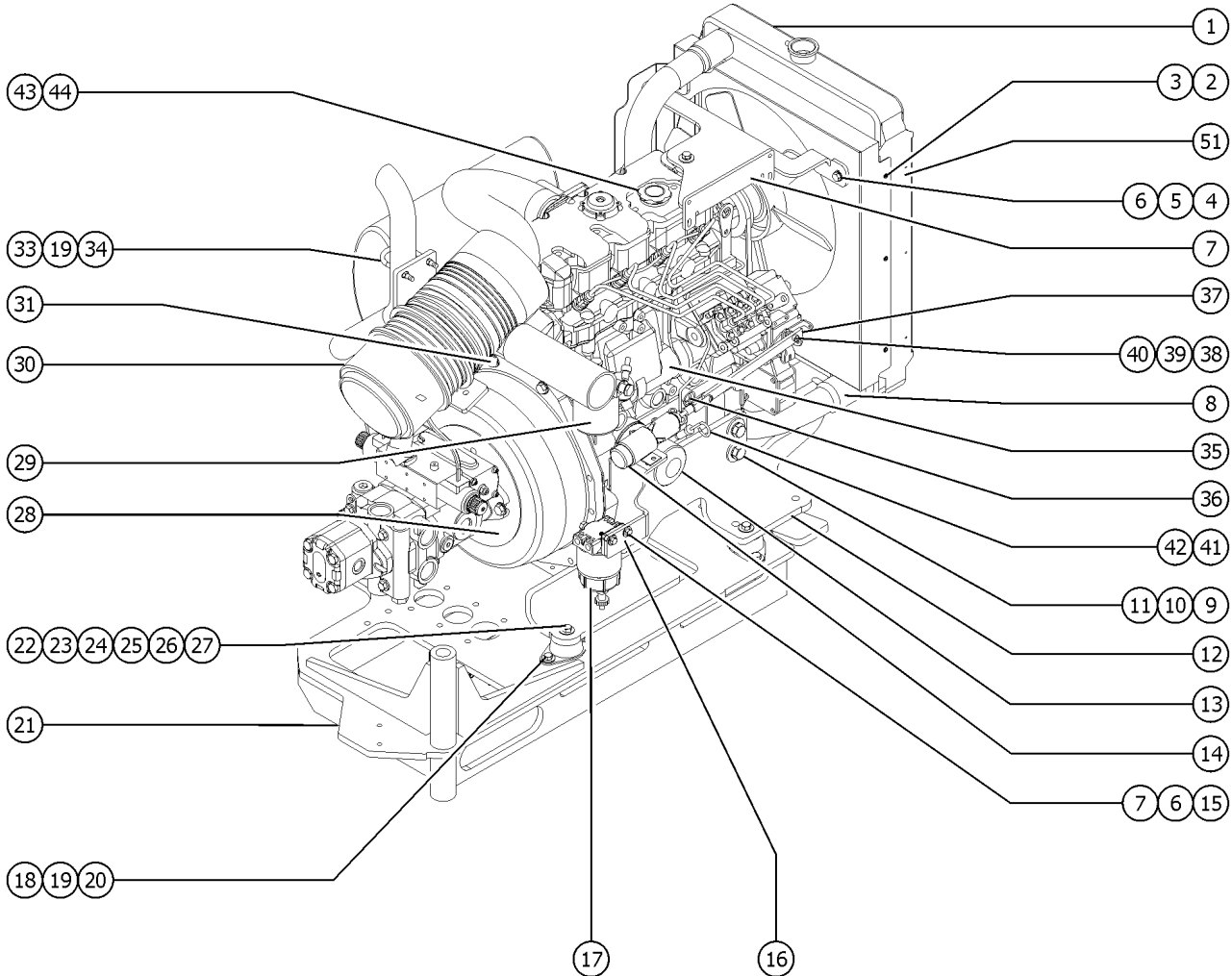
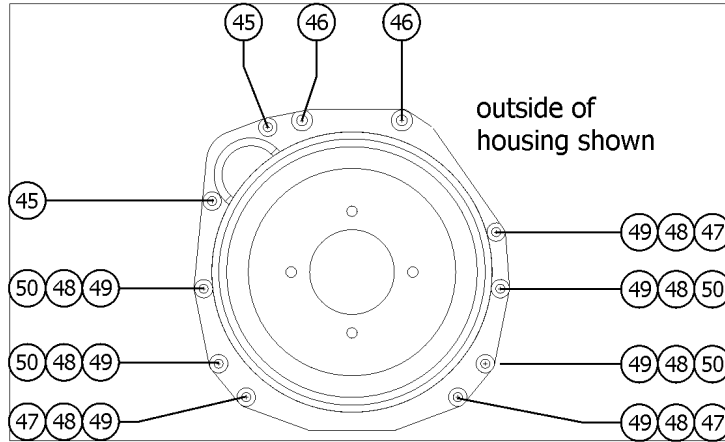


403.1 Perkins 404-22 Engine - View 1

Item	Part No.	Description	Qty.	Item	Part No.	Description	Qty.
--	128831GT	ENGINE,PERKINS,DIESEL 404D-22 <i>from SN 38093</i>		22	88987PGT	FORMING,ENGINE MOUNT,LH PAINTE.....	1
--	228457GT	STARTER, PERKINS, 404D		23	21019GT	SCREW,PHIL,PHM,10-24 X.5,SEMS	
--	111028GT	SWITCH,WATER TEMP,PRKNS,404***		24	6146GT	WASHER,FLAT,MS,#10,Y	
--	85155GT	PUMP,PRIMER,PERKINS***		25	101773PGT	GUARD,FAN,PERKINS PAINTED.....	1
--	72348GT	PUMP,LIFT(FUEL) PERKINS(54555).....1 <i>replaced 128989</i>		26	13014GT	CLAMP,HOSE,2.25" DIA.....	1
--	147348GT	SEAL-VALVE SYSTEM (A) <i>(for 70253 engine)</i>		26	54578GT	HOSE,UPPER RADIATOR,PERKINS.....	1
--	147349GT	SEAL-VALVE SYSTEM (B) <i>(for 70253 engine)</i>		27	101041PGT	BRACKET,COOLANT TANK MOUNT PNT.....	1
--	147350GT	GASKET-CYLINDER HEAD <i>(for 70253 engine)</i>		28	60585GT	ISOLATOR,VIBRATION,M8 MALE/FEM.....	1
--	147351GT	SEAL-ROCKER BOX <i>(for 70253 engine)</i>		29	128313GT	PLATE, COVER, BULKHEAD, Z45/51.....1 <i>to SN Z452508A-36014 (plate mounts onto chassis)</i>	
--	147352GT	SEAL-INJECTOR <i>(for 70253 engine)</i>		30	77476GT	HOUSING,THERMOSTAT,PERKINS 104.....	1
--	147353GT	SEAL-INJECTOR <i>(for 70253 engine)</i>		--	128986GT	WATER OUTLET, VERTICAL 404D-22; <i>from SN Z452508A-38093</i>	
--	147355GT	GASKET-THERMOSTAT HSG <i>(for 70253 engine)</i>		31	77478GT	THERMOSTAT (PERKINS 104-22).....1 404C-22; <i>to SN Z452508A-38092</i>	
1	23057GT	SCREW,HHC,M8 X 20MM		--	128991GT	THERMOSTAT 404D-22; <i>from SN Z452508A-38093</i>	
2	33277GT	WASHER,FLAT,M8,YELLOW ZINC		--	147355GT	GASKET-THERMOSTAT HSG <i>for 128991</i>	
3	34162-800GT	HOSE,AIR INTAKE 2.5 ID 8.00LG.....	1	32	72343GT	GASKET,EXH FLANGE-FORD/PERKINS.....	1
4	94927GT	HOSE,AIR INTAKE,PERKINS***.....	1				
5	54543GT	MUFFLER,PERKINS 404-22DSL.....	1				
--	110399GT	MUFFLER,SCRUBBER,PERK 404-22DS					
6	6019GT	SCREW,HHC,3/8-16 X 1.25 GRD 5					
7	6097GT	WASHER,FLAT,USS,3/8",Y					
8	4828GT	NUT,NYLOCK,3/8-16					
9	94914PGT	BRACKET,PERKINS MUFFLER PAINTD.....	1				
10	70367GT	BOTTLE,COOLANT RECOVERY,3.7***.....	1				
--	115431GT	CAP ASSY, COOLANT BOTTLE					
11	111029GT	ALTERNATOR,65 AMP,PERKINS 404.....	1				
12	54687GT	SCREW,HHC,M14 X 1.5X40MM,GR8.8					
13	37505GT	WASHER,LOCK,M14					
14	49411GT	WASHER,FLAT,M14					
15	70452GT	ISOLATOR,ENGINE VIBRATION***.....	4				
16	8357GT	SCREW,HHC,1/2-13 X 3.5					
17	6095GT	WASHER,FLAT,USS,1/2",Y					
18	101730GT	SPACER,ENGINE MOUNT.....	4				
19	101729GT	WASHER,VIBRATION ISOLATING.....	4				
20	24040GT	WASHER, 1/2 PLATE (1/2 X 2.25 X 3/16)					
21	6198GT	NUT,NYLOCK,1/2-13					

404.1 Perkins 404-22 Engine - View 2

Detail A - Bell Housing Fasteners



404.1 Perkins 404-22 Engine - View 2

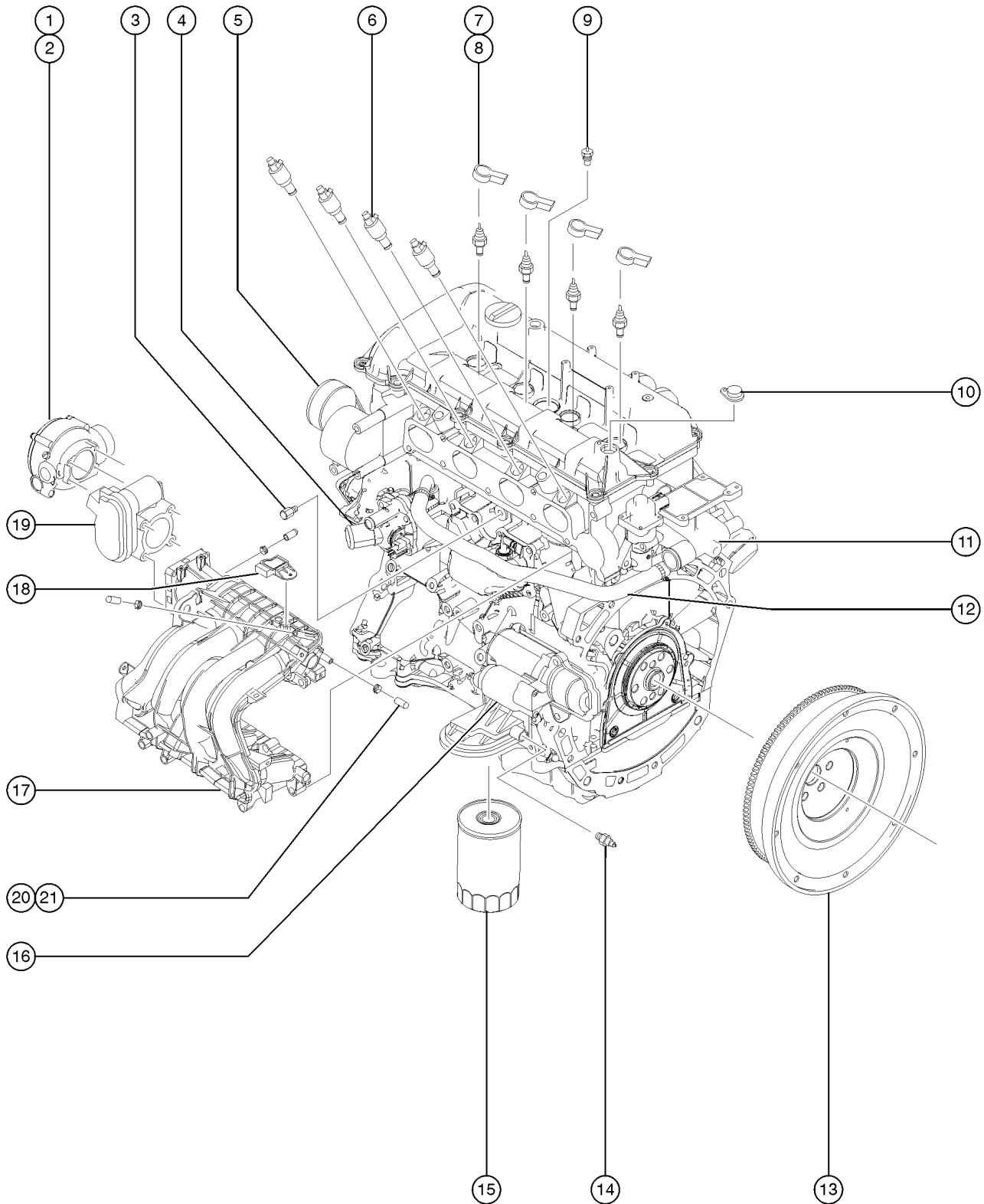
Item	Part No.	Description	Qty.	Item	Part No.	Description	Qty.
1A	110304GT	RADIATOR,FORD/PERKINS***.....	1	25	101729GT	WASHER,VIBRATION ISOLATING.....	2
1B	24038GT	SHOCK MOUNT,SMALL		26	24040GT	WASHER, 1/2 PLATE (1/2 X 2.25 X 3/16)	
1C	65473GT	CAP,RADIATOR,PERKINS/FORD		27	6198GT	NUT,NYLOCK,1/2-13	
1D	111028GT	SWITCH,WATER TEMP,PRKNS,404***		28A	128022GT	KIT,FBA STYLE COUPLER,PERKINS....1 <i>includes 15-tooth coupler (128003), fastener kit (1263209) and grease</i>	
1E	1252943GT	SPACER,FAN,PERKINS 404F		--	29749GT	COUPLER,SMALL METAL,15T,***.....	1
1E	128987GT	WATER PUMP 404D-22; from SN Z452508A-38093		--	89771GT	HOUSING,PUMP MOUNT (54573).....	1
1E	58354GT	GASKET,WATER PUMP for 89763, 128987		--	89772GT	FLEX PLATE (54573)***.....	1
1E	77482GT	PULLEY, WATER PUMP		28B	89773GT	KIT, HARDWARE (54573).....	1
1E	89763GT	PUMP WATER (PERKINS 404)*** 404C-22; to SN Z452508A-38092		29	94889GT	FUEL FILTER ASSEMBLY.....	1
1E	89765GT	BELT, V (PERKINS 404)		--	62421GT	FILTER,FUEL,PERKINS	
2	21019GT	SCREW,PHIL,PHM,10-24 X.5,SEMS		30	63463GT	AIR CLEANER,NELSON***.....1 <i>plastic housing</i>	
3	6146GT	WASHER,FLAT,MS,#10,Y		--	52866GT	EVACUATOR VALVE-AIR CLEANER	
4	6888GT	SCREW,HHC,1/4-20 X 1		--	53952GT	BRKT,AIR CLEANER ORIENTATION**	
5	6638GT	WASHER,FLAT,USS,1/4"Y		--	58415GT	CLIP,AIR CLEANER END CAP*** <i>end cap not available separately</i>	
6	6091GT	NUT,NYLOCK,1/4-20		--	62420GT	FILTER,AIR***	
7	88989PGT	FORMING,UPPER RAD SUPPORT PNTD.....	1	--	65810GT	BAFFLE, AIR CLEANER (27915)**	
8	54579GT	HOSE,LOWER,RADIATOR,PERKINS....	1	--	88846GT	HOSE,AIR INLET	
--	13014GT	CLAMP,HOSE,2.25" DIA.		--	88847GT	HOSE,AIR CLEANER TO INTAKE	
9	54687GT	SCREW,HHC,M14 X 1.5X40MM,GR8.8		31		Refer to Detail A	
10	37505GT	WASHER,LOCK,M14		33	80391GT	U-BOLT,5/16 -18 X 2IN**	
11	49411GT	WASHER,FLAT,M14		34	18503GT	NUT,LOCKING-LG.FLANGE,5/16-18	
12	88988PGT	FORMING,ENGINE MOUNT RH PAINTE.....	1	35	236426GT	SOLENOID KIT,SHUT DN,PERKINS....	1
13	94762GT	OIL FILTER - PERKINS.....	1	36A	111027GT	SWITCH,OIL PRESS-PERKINS 404 to SN 38092	
14	77402GT	SOLENOID,THROTTLE ACTUATOR DSL.....	1	36B	119809GT	SWITCH, OIL PRESSURE <i>(from SN 38093) Old switch design was used with an adaptor; New switch screws directly into engine block. With older engine, remove adaptor and install new switch directly into engine block</i>	
15	8915GT	SCREW,HHC,1/4-20 X 1.25		37	89953GT	FLATBAR,ALUM,THROTTLE LINKAGE.....	1
16	94378PGT	FORMING,SOLENOID MOUNT PAINTED.....	1	38	119866GT	SCREW,SHS,M6X12MM,8MM	
--	128588GT	FORMING,SOLENOID MOUNT from SN Z452508A-38093		39	33277GT	WASHER,FLAT,M8,YELLOW ZINC	
17	75020GT	SEPRTR/FLTR,FUEL DSL,15GPH,.30....	1	40	49364GT	NUT,NYLOCK,M6X1.00	
--	62433GT	FILTER,ELEMENT,30 MIC,75020		41	89759GT	DIPSTICK, OIL (PERKINS 404).....1 <i>404C-22; to SN Z452508A-38092</i>	
18	6019GT	SCREW,HHC,3/8-16 X 1.25 GRD 5		--	128984GT	DIPSTICK, STRAIGHT SHORT.....1 <i>404D-22; from SN Z452508A-38093</i>	
19	5397GT	WASHER,FLAT,USS,5/16",Y		42	97461GT	DIPSTICK TUBE,PERKINS(403C-11)....1 <i>404C-22; to SN Z452508A-38092</i>	
20	4828GT	NUT,NYLOCK,3/8-16		--	128985GT	DIPSTICK TUBE, STRAIGHT SHORT....1 <i>404D-22; from SN Z452508A-38093</i>	
21		ASSEMBLY, ENGINE TRAY.....1 <i>refer to section 411.1</i>		43	65636GT	CAP, OIL FILLER.....	1
22	8357GT	SCREW,HHC,1/2-13 X 3.5					
23	6095GT	WASHER,FLAT,USS,1/2",Y					
24	101730GT	SPACER,ENGINE MOUNT.....	2				

404.1 Perkins 404-22 Engine - View 2
(continued)

Item	Part No.	Description	Qty.
44	65638GT	SEAL, OIL FILLER CAP.....	1
45	128061GT	SCREW, HHC, M10 X 1.5 X 50.....	2
46	60868GT	SCREW,HHC,M12 X 45.....	2
47	85059GT	SCREW,HHC,M10 X 1.5 X 35.....	3
48	22699GT	WASHER,FLAT,M10,ZINC PLTD.....	7
49	22736GT	NUT,NYLOCK,M10X1.50.....	7
50	85053GT	SCREW,HHC,M10 X 1.5 X70,GR 8.8....	4
51	88990PGT	SHROUD,FAN PAINTED.....	1

This Page Intentionally Left Blank

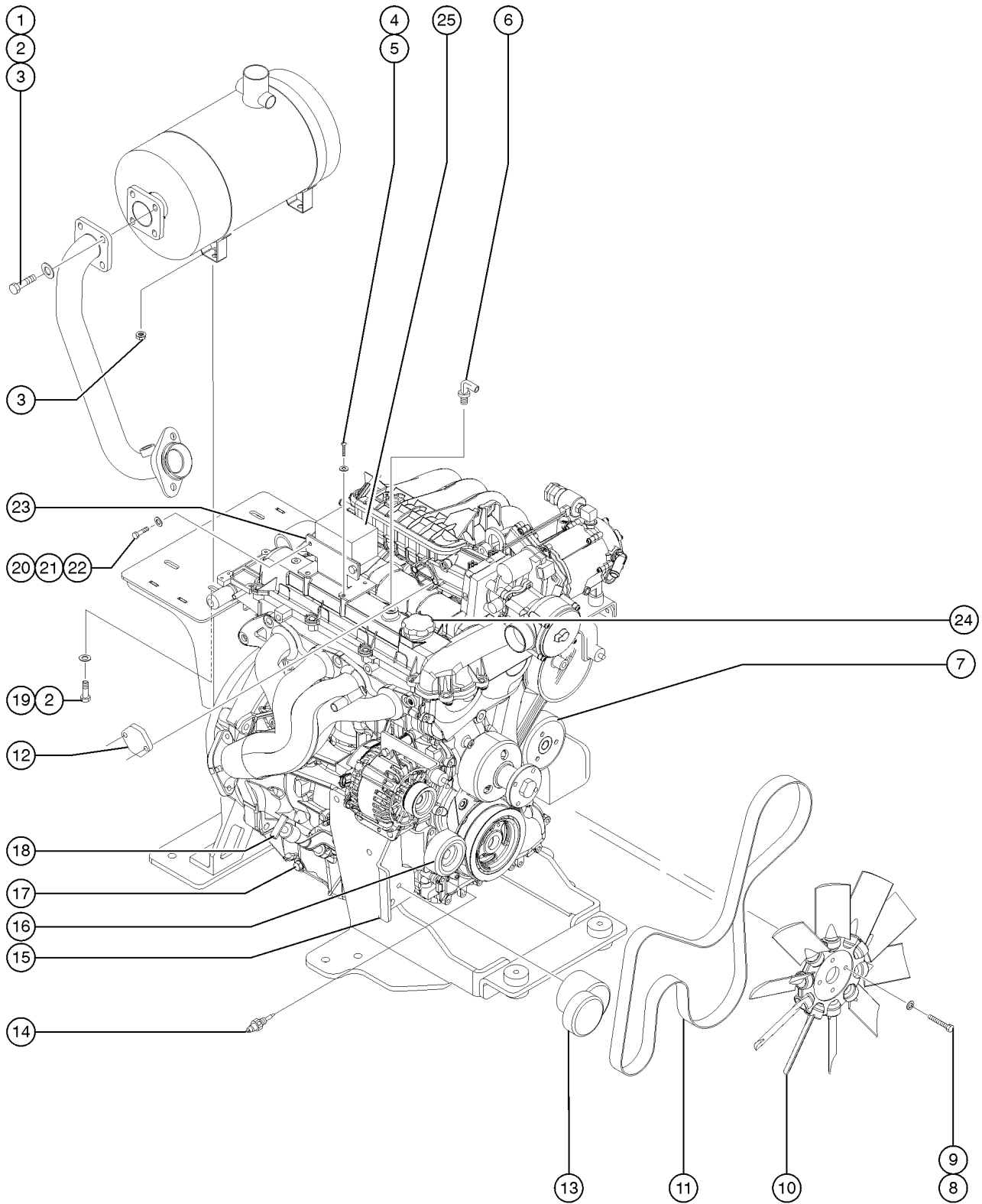
405.1 Ford DSG-423 Engine - View 1



405.1 Ford DSG-423 Engine - View 1

Item	Part No.	Description	Qty.	Item	Part No.	Description	Qty.
--				15	119139GT	OIL FILTER,DSG-423.....	1
--	119472GT	HARNES,ENGINE FORD DSG-423		16	119137GT	STARTER,DSG-423.....	1
--	128165GT	RELAY,PWR/FUEL,FORD DSG423				<i>Genie genuine part</i>	
--	128166GT	RELAY,STARTER,FORD DSG/MSG		--		Ref. Harness,Ford Starter (refer to 308.1) <i>Ford Models (from serial number 39705)</i>	
1	119135GT	MIXER,LPG,DSG-423.....	1	--	119963GT	PLUG,DUST,STARTER,FORD DSG423	
--	119500GT	GASKET,MIXER, FORD DSG423		--	1259057GT	STARTER, DSG-423RING	
--	119547GT	O-RING,MIXER,SMOOTHED,DSG-423				<i>Genie aftermarket</i>	
--	119548GT	O-RING,MIXER,RIBBED,DSG-423		17	119545GT	MANIFOLD,INTAKE FORD DSG-423.....	1
2	119142GT	ADAPTER,MIXER/THROTTLE BODY.....	1	--	147016GT	CAP,EPDM,5/16".....	2
--	119466GT	GASKET,ACTUATOR PLATE		--	58390GT	GASKET,INTAKE FORD DSG-423.....	4
3	119498GT	SENSOR,KNOCK DSG-423 FORD.....	1	18	119475GT	MAP SENSOR, DSG-423.....	1
4	119551GT	THERMOSTAT,FORD DSG423.....	1	19	88451GT	THROTTLE ACTUATOR*(BOSCH).....	1
5	119475GT	MAP SENSOR, DSG-423.....	1	--	88452GT	GASKET,THROTTLE ACTUATOR***	
--	119965GT	COVER,DUST,IDLER,FORD DSG423		20	147016GT	CAP,EPDM,5/16".....	3
6	119479GT	FUEL INJECTOR FORD DSG423,YL.....	4	21	119568GT	CLAMP,SPRING,1/2".....	3
		<i>yellow injector</i>					
6	233365GT	FUEL INJECTOR FORD DSG423, BK					
		<i>black injector</i>					
7	119478GT	COIL ASSEMBLY.....	4				
--	119961GT	SCREW,GROMET-COIL,FORD DSG423					
--	119962GT	GROMMET,COIL,FORD DSG423					
8	119495GT	SPARK PLUG, FORD DSG-423.....	4				
9	234005GT	SENSOR KIT, TEMPERATURE.....	1				
		<i>Required for first time replacement of older temperature sensor part 119480 (kit includes sensor part 233437 and wire harness part 234006); to SN 39564</i>					
--	233437GT	SENSOR, FORD TEMPERATURE					
		<i>from SN 39565</i>					
--	234006GT	WIRE HARNESS, SENSOR, TEMP					
		<i>from SN 39565</i>					
10	119497GT	SENSOR,CAM POSITION DSG-423.....	1				
11A	214803GT	KIT, DSG423 COOLANT OUTLET.....	1				
		<i>for SN to 43943; Required for first time replacement of older adapter and hose (kit includes water outlet 214796 and hose 214798)</i>					
11B	214796GT	WATER OUTLET, FORD DSG423					
		<i>from SN 43944</i>					
12A	214803GT	KIT, DSG423 COOLANT OUTLET.....	1				
		<i>for SN to 43943; Required for first time replacement of older adapter and hose (kit includes water outlet 214796 and hose 214798)</i>					
--	214798GT	HOSE, COOLANT BYPASS, DSG423					
		<i>from SN 43944</i>					
13	119465GT	FLYWHEEL ASSEMBLY,DSG-423					
		FORD.....	1				
14	119481GT	SWITCH,OIL PRESSURE.....	1				

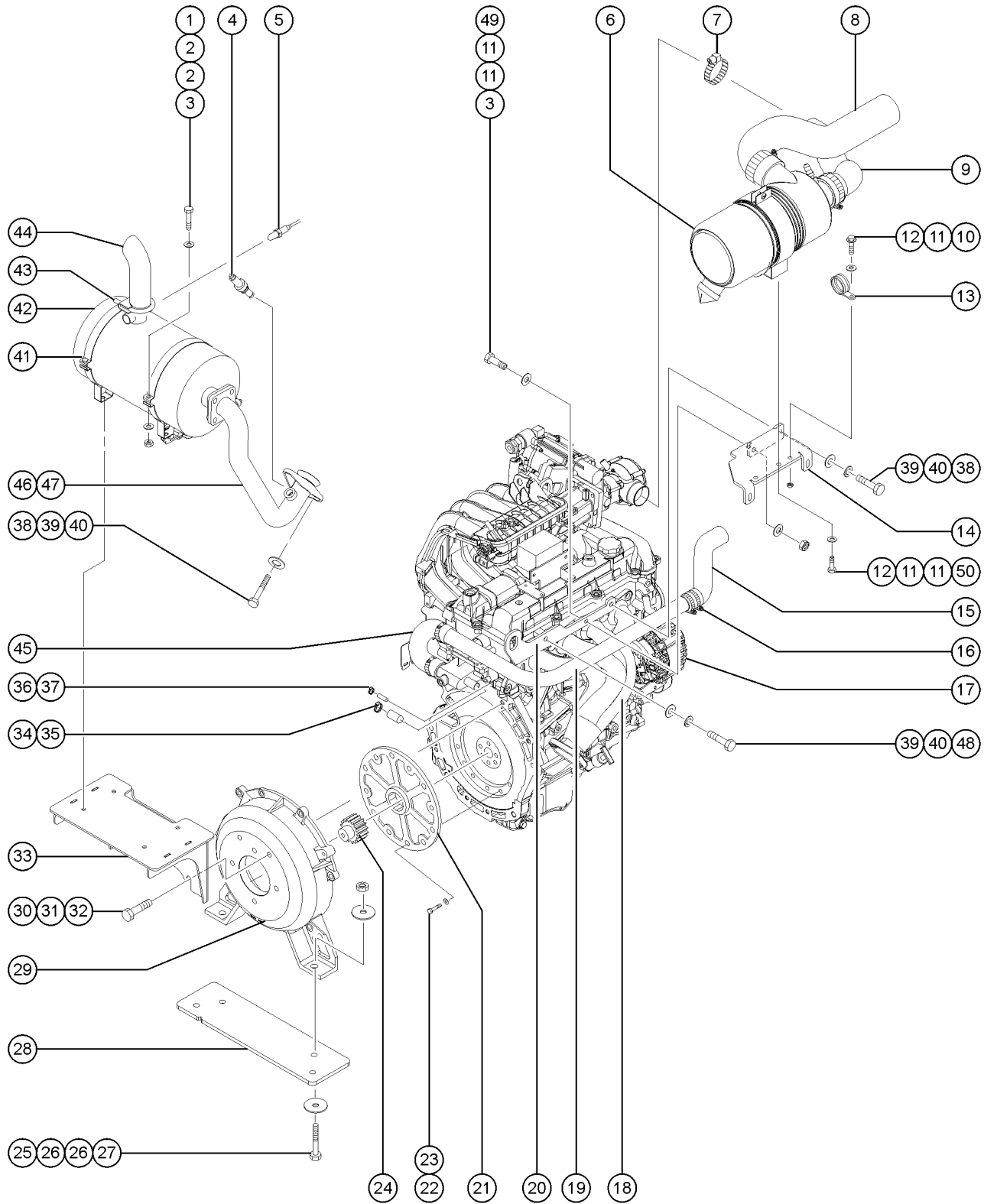
406.1 Ford DSG-423 Engine - View 2



406.1 Ford DSG-423 Engine - View 2

Item	Part No.	Description	Qty.
1	13000GT	SCREW,HHC,5/16-18 X 1.25	
2	5397GT	WASHER,FLAT,USS,5/16",Y	
3	18503GT	NUT,LOCKING-LG.FLANGE,5/16-18	
4	54365GT	SCREW,PHIL,PHM,10-32 X .5,SSTL	
5	25926GT	WASHER,FLAT,M6 PLTD.	
6	119474GT	VALVE,PCV FORD DSG-423.....1	
--	75631GT	HOSE,AIR 3/8	
7	119468GT	WATER PUMP W/GASKET.....1	
8	32309GT	SCREW,HHC,M8 X 60MM X 1.25	
9	49408GT	WASHER,LOCK,M8	
10	119153GT	FAN (FORD TIER 3).....1	
11	119138GT	BELT,SERPENTINE,DSG-423.....1	
12	119964GT	PLATE,BLANKING,FORD DSG423.....1	
13	119469GT	PULLEY AND TENSIONER,DSG423.....1	
14	119496GT	SENSOR,CRANK POSITION DSG-423.....1	
15	119471GT	BRACKET,TENSIONER.....1	
16	119544GT	LOWER IDLER FORD DSG-423.....1	
17	119588GT	OIL DRAIN PLUG,FORD DSG423.....1	
18	119473GT	DIPSTICK, FORD DSG 423.....1	
18A	139557GT	SERVICE KIT, FORD DIPSTICK,Z45 <i>wrap-around dipstick accessory kit</i>	
--	139556GT	DIPSTICK, INDICATOR, FORD,Z45 <i>for use only after installation of 139557</i>	
19	13002GT	SCREW,HHC,5/16-18 X 1 GR5	
20	6090GT	SCREW,HHC,1/4-20 X .75	
21	6638GT	WASHER,FLAT,USS,1/4"Y	
22	6091GT	NUT,NYLOCK,1/4-20	
23	110768GT	BRACKET,RELAY BLOCK MOUNT.....1	
24	58632GT	CAP,OIL FILLER,FORD DSG 423.....1	
25A	237856GT	FUSE BOX COVER <i>decal not included</i>	
25B	237857GT	FUSE BOX RELAY STICKER <i>(not shown) not included with 237856, order seperately</i>	
25C	237858GT	FUSE BOX MOUNTING,LEFT <i>(not shown) not included with 237856, order seperately</i>	
25D	237859GT	FUSE BOX MOUNTING,RIGHT <i>(not shown) not included with 237856, order seperately</i>	

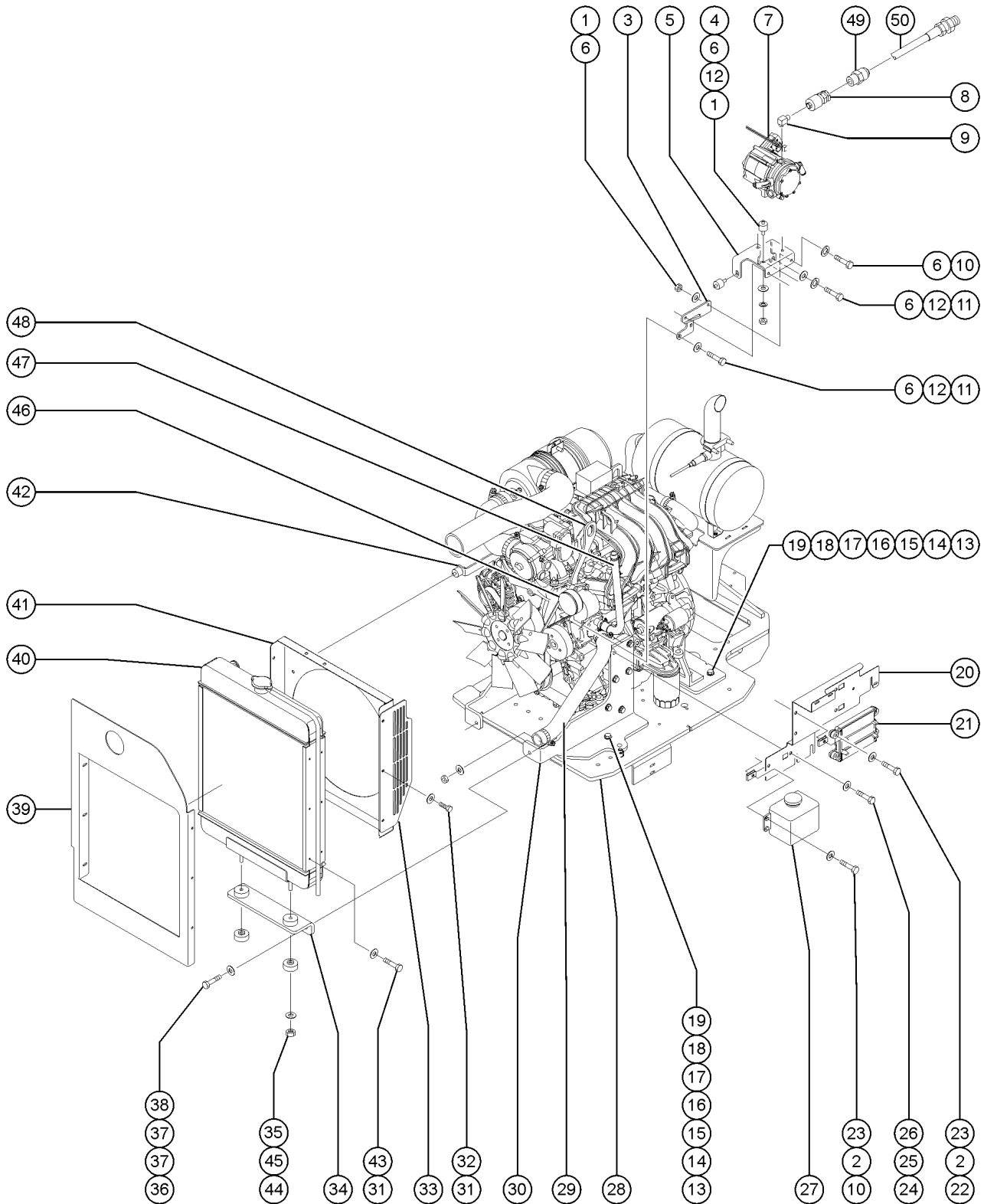
407.1 Ford DSG-423 Engine - View 3



407.1 Ford DSG-423 Engine - View 3

Item	Part No.	Description	Qty.	Item	Part No.	Description	Qty.
1	14033GT	SCREW,HHC,3/8-16 X 2.75		--	111748GT	SCREW,SHC,M10X1.5 X 60 GR8.8.....2	
2	22692GT	WASHER,WAVE SPRG,1X.635X.015		--	119052GT	PUMP MOUNT,FORD DSG423	
3	4828GT	NUT,NYLOCK,3/8-16		30	10597GT	SCREW,HHC,1/2-13 X 1.25 GR5	
4	88450GT	SENSOR,OXYGEN LRG425EFI.....1		31	13066GT	WASHER,FLAT,,5 HARDENED	
5	139610GT	SENSOR,AIR,CAT MONITOR.....1		32	6033GT	WASHER,LOCK,0.5"	
6	111634GT	AIR CLEANER,FORD,T3.....1		33	110480GT	WELDMENT,CAT MOUNT.....1	
--	1277991GT	CLIP,AIR CLEANER COVER (58247) <i>for 58247</i>		34	119484GT	CAP,COOLANT 3/4.....1	
--	227988GT	VACUATOR VALVE		35	46131GT	CLAMP,HOSE,.63" - 1.0" X .5".....1	
--	38922GT	ELBOW,90DEG.1/8MPT-5/16 BARB		36	147016GT	CAP,EPDM,5/16".....1	
--	53952GT	BRKT,AIR CLEANER ORIENTATION** <i>sold separately</i>		37	147015GT	CLAMP,SPRING,7/16".....1	
--	58247GT	AIR CLEANER CAP/ FORD/NOLFF***		38	25548GT	SCREW,HHC,M10 X 40MM,GRD8	
--	77295GT	FILTER ELEMENT,AIR,NOLFF LPG		39	22699GT	WASHER,FLAT,M10,ZINC PLTD.	
7	45435GT	CLAMP,HOSE,2.50"***.....2		40	22700GT	WASHER,LOCK,M10	
8	110421GT	HOSE,AIR INTAKE.....1		41	119051GT	MOUNTING BAND,MUFFLER,8.0".....2	
--	45435GT	CLAMP,HOSE,2.50"***		42	111666GT	WELDMENT,MUFFLER,DSG423.....1	
9	110422GT	HOSE,AIR,MIXER.....1		43	102121GT	CLAMP,MUFFLER,1-7/8 IN.....3	
10	13000GT	SCREW,HHC,5/16-18 X 1.25		44	128020GT	TAILPIPE,Z45,FORD DSG423.....1	
11	5397GT	WASHER,FLAT,USS,5/16",Y		45	110424GT	HOSE,RETURN,ENGINE.....1	
12	18503GT	NUT,LOCKING-LG.FLANGE,5/16-18		46	110407GT	WELDMENT,HEADER PIPE.....1	
13	119394GT	CLAMP,1.38,#212X3/8,RUB CUSH.....3		47	72343GT	GASKET,EXH FLANGE-FORD/PERKINS.....1	
14	111614GT	FORMING,AIR CLEANER MOUNT.....1		48	44064GT	SCREW,HHC,M10 X 30MM,	
15	110758GT	HOSE,UPPER RADIATOR.....1		49	6019GT	SCREW,HHC,3/8-16 X 1.25 GRD 5	
16	119053GT	CLAMP,HOSE,1.50.....2		50	13002GT	SCREW,HHC,5/16-18 X 1 GR5	
17	119140GT	ALTERNATOR,FORD DSG423,MSG425.....1 <i>heat shield not included</i>					
17A	227309GT	HEAT SHIELD,ALTERNATOR,FORD <i>not included, must order separately</i>					
18	119463GT	MANIFOLD,EXHAUST TURBO.....1					
19	112285GT	PIPE,COOLANT RETURN,FORD 2.3L...1					
20	110777GT	PLATE,REAR LIFTING EYE.....1					
21	89813GT	FLEX PLATE,COUPLER (64079).....1					
--	128021GT	KIT,FBA STYLE COUPLER,FORD <i>replaces flex plate and coupler</i>					
22	55014GT	SCREW,SHC,M8 X 1.25 X 25					
23	33277GT	WASHER,FLAT,M8,YELLOW ZINC					
24	37003GT	COUPLER,HUB,15 TOOTH 7/16BOLT*.....1					
25	6096GT	SCREW,HHC,1/2-13 X 2 GR5					
26	6095GT	WASHER,FLAT,USS,1/2",Y					
27	6198GT	NUT,NYLOCK,1/2-13					
28	119223GT	PLATE,REAR ENGINE SUPPORT.....1					
29	110405GT	BELL HOUSING KIT,FORD DSG423.....1 <i>includes items 27 and 30</i>					

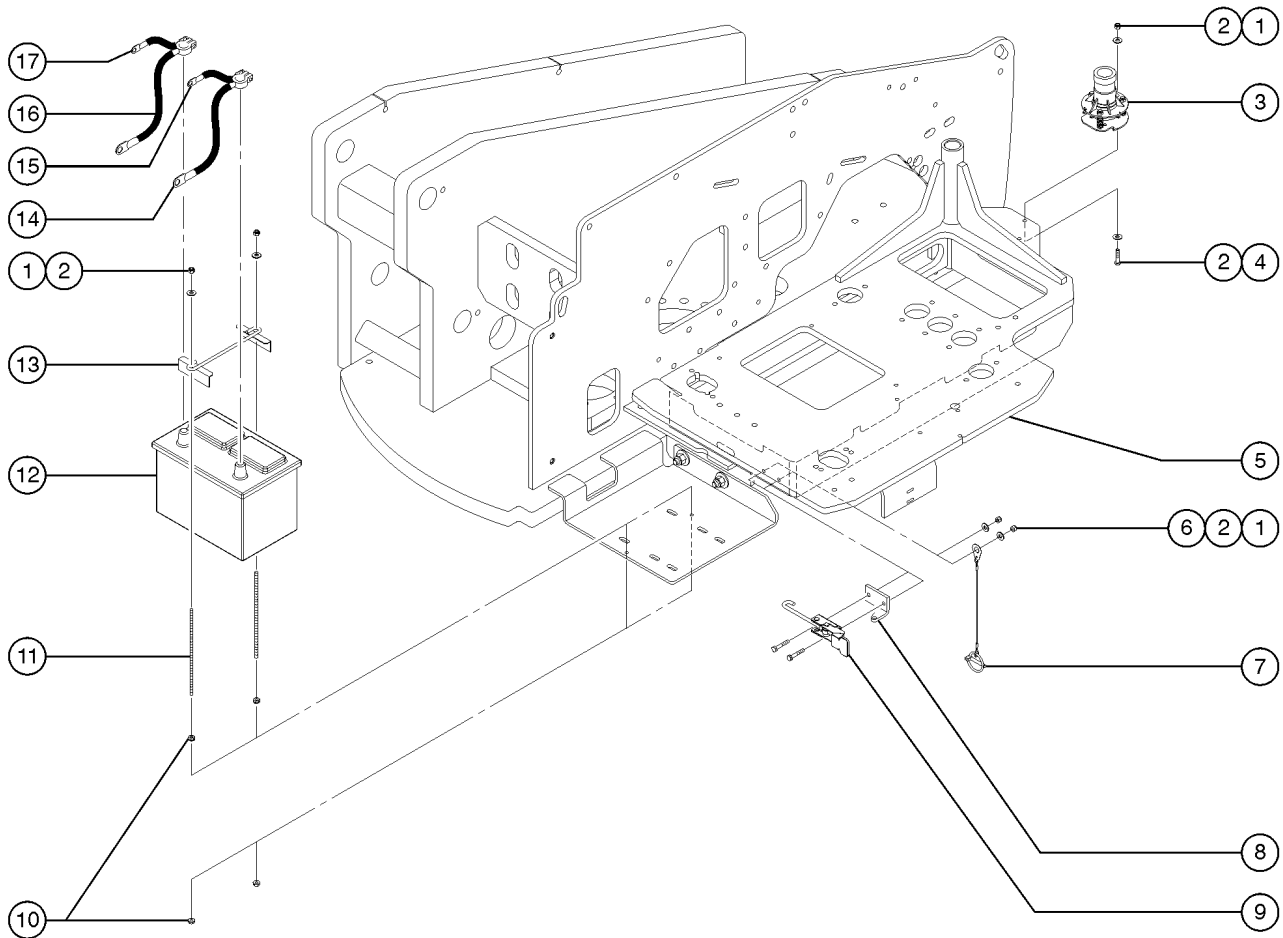
408.1 Ford DSG-423 Engine - View 4



408.1 Ford DSG-423 Engine - View 4

Item	Part No.	Description	Qty.	Item	Part No.	Description	Qty.
1	25368GT	NUT,NYLOCK,M8X1.25		33	110932GT	PLATE,FAN GUARD.....	1
2	6638GT	WASHER,FLAT,USS,1/4"Y		34	110417PGT	FORMING,RADIATOR SUPPORT,PNTD.....	1
3	110892PGT	BRACKET,REGULATOR SUPPORT,PNTD.....	1	35	24038GT	SHOCK MOUNT,SMALL.....	4
4	110919GT	ISOLATOR,VIBRATION,M8 M/M.....	4	36	8516GT	SCREW, HCC, 3/8-16 X 1.50	
5	110890PGT	FORMING,REGULATOR MOUNT,PTD...	1	37	6097GT	WASHER,FLAT,USS,3/8",Y	
6	33277GT	WASHER,FLAT,M8,YELLOW ZINC		38	4828GT	NUT,NYLOCK,3/8-16	
7	119826GT	REGULATOR,LPG,DSG-423.....	1	39	110865GT	FORMING,BAFFLE,RADIATOR.....	1
--	119546GT	KIT,FITTING,REGULATOR DSG-423		40A	110406GT	RADIATOR,FORD DSG423 & MSG425.....	1
7A	102119GT	HOSE,3/4,LP.....8-inches <i>from regulator to mixer</i>		40B	131589GT	HOSE,OVERFLOW,RADIATOR	
8	119232GT	LOCKOFF,LP,FORD DSG/MSG.....	1	40C	65473GT	CAP,RADIATOR,PERKINS/FORD	
9	19363GT	ELBOW,130239-4-4.....	1	41	110413GT	FORMING,FAN SHROUD.....	1
10	75159GT	SCREW,HHC,M8X1.25X 25MM,GR8.8		42	110419GT	FORMING,RADIATOR BRACE LEFT.....	1
11	49386GT	SCREW,HHC,M8 X 40		--	18503GT	NUT,LOCKING-LG.FLANGE,5/16-18	
12	49408GT	WASHER,LOCK,M8		--	219437GT	ISOLATOR, VIBRATION	
13	10598GT	SCREW,HHC,1/2-13 X 3		43	25926GT	WASHER,FLAT,M6 PLTD.	
14	6095GT	WASHER,FLAT,USS,1/2",Y		44	48425GT	NUT,FLG-LRG,3/8-16,YZ	
15	70452GT	ISOLATOR,ENGINE VIBRATION***.....	4	45	15086GT	WASHER,FLAT,375 X 1.5 X .125	
16	101730GT	SPACER,ENGINE MOUNT.....	4	46	215298GT	UPPER IDLER PULLEY, MSG425	
17	101729GT	WASHER,VIBRATION ISOLATING.....	4	--	119477GT	IDLER BRACKET	
18	24040GT	WASHER, 1/2 PLATE (1/2 X 2.25 X 3/16)		47	119073GT	HOSE,COOLANT,REG INTAKE	
19	6198GT	NUT,NYLOCK,1/2-13		--	119053GT	CLAMP,HOSE,1.50	
20	112283GT	FORMING,FORD GCP MOUNT.....	1	48	112400GT	PLATE,FRONT LIFTING EYE.....	1
21A	119169GT	CONTROL MODULE,DSG-423..... <i>to SN 39639 (models with YELLOW fuel injectors)</i>	1	49	19358GT	CONNECTOR,010102-6-4.....	1
21B	T112018GT	CONTROL MODULE,DSG-423 <i>from SN 39640 except 39655 (models with BLACK fuel injectors)</i>		50	119055GT	HOSE ASSY,LP GAS.....	1
22	6145GT	SCREW,HHC,1/4-20 X 1.5					
23	56912GT	SPRING CLIP,1/4-20,.025-.15X.54,ZAG					
24	25927GT	SCREW,HHC,M10 X 55MM,GRD 8.8					
25	22700GT	WASHER,LOCK,M10					
26	22699GT	WASHER,FLAT,M10,ZINC PLTD.					
27	42662GT	COOLANT RECOVERY BOTTLE1.5 QT*.....	1				
--	72284GT	CAP,COOLANT RECOV.BOTTLE					
28		ASSEMBLY, ENGINE TRAY..... <i>refer to section 411.1</i>	1				
29	110423GT	HOSE,LOWER RADIATOR.....	1				
--	119053GT	CLAMP,HOSE,1.50.....	2				
30	110416GT	FORMING,LEFT ENGINE SUPPORT.....	1				
--	110414GT	FORMING,RIGHT ENGINE SUPPORT					
31	21019GT	SCREW,PHIL,PHM,10-24 X.5,SEMS					
32	6146GT	WASHER,FLAT,MS,#10,Y					

409.1 Engine Tray and Battery



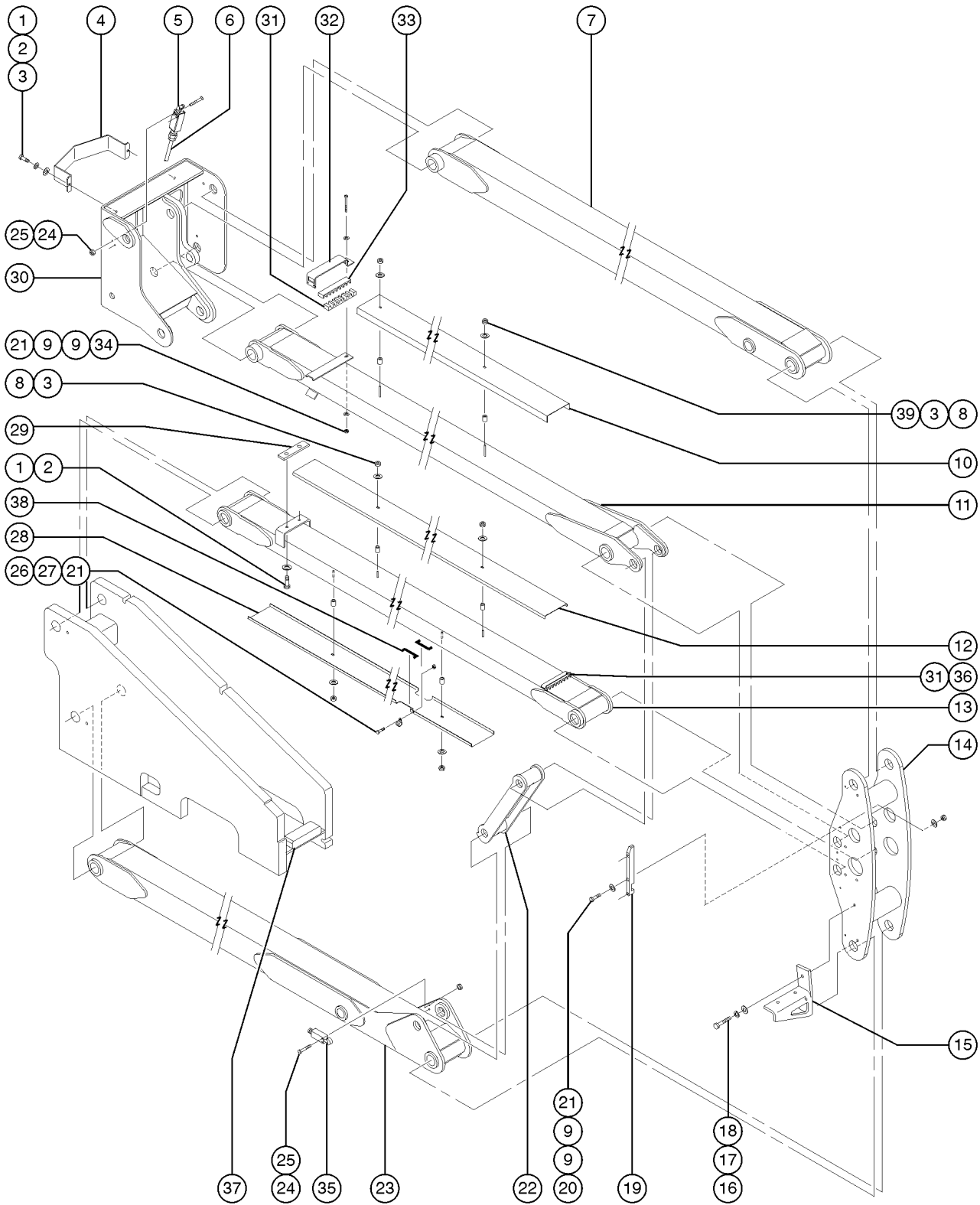
409.1 Engine Tray and Battery

Item	Part No.	Description	Qty.
1	6091GT	NUT,NYLOCK,1/4-20	
2	6638GT	WASHER,FLAT,USS,1/4"Y	
3A	94077GT	SENSOR,LEVEL,4.5 DEG.....1 <i>USA/Canada/ Australia models. PN 1261449 may be required, see below.</i>	
3B	110382GT	LEVEL SENSOR,LS60,YL,2.5X4.5 <i>European models</i>	
3C	1264947GT	KIT, LEVEL SENSOR, 6 PIN CONN. <i>For ANSI/CSA models with 6-pin wire harness connector</i>	
4	8915GT	SCREW,HHC,1/4-20 X 1.25	
5	107807GT	ASSEMBLY, ENGINE TRAY.....1	
--	25817GT	BEARING,1.00IDX1.25ODX1.00L	
6	6145GT	SCREW,HHC,1/4-20 X 1.5	
7	54432GT	LANYARD,LYNCH PIN ASSY.....1	
8	54244-SGT	BRACKET,LATCH MOUNT,RH**.....1	
9	27126GT	LATCH,DRAW,ADJUSTABLE.....1	
10	18504GT	NUT,LOCKING-LG.FLANGE,1/4-20	
11	27506GT	THREADED ROD,(1/4-20),8.5"	
12	36872GT	BATTERY, 12V,900 CCA.....1	
13	T107827GT	BATTERY HOLD DOWN.....1	
14	119802GT	BATTERY CABLE,1/0,RED,94".....1	
15	70645GT	BATTERY CABLE,RED#2,5/16,5/16.....1	
16	119803GT	BATTERY CABLE,1/0,BLACK,102".....1	
17	70646GT	BATTERY CABLE,BLK,#2,5/16,3/8*.....1	

501.1 Boom Pins and Bearings

Item	Part No.	Description	Qty.
1	88676GT	PIN,2.00DIAX24.00LG,CHAMFER***.....1	
2	8177GT	SCREW,HHC,1/2-13 X 1.5	
3	6033GT	WASHER,LOCK,0.5"	
4	1256267GT	ROD END,.5 X 3.75,ZAG	
5	107859GT	PIN,2.00DIAX12.88LG,CHAMFER***.....1	
6	18720GT	BEARING,2.0IDX2.25ODX1.50L.....16	
7	45071GT	BEARING,1.5IDX1.75ODX1.5L.....4	
8	107727GT	PIN,1.50DIAX7.50LG,1HOLE***.....2	
9A	54156GT	BEARING,FL,1.5IDX1.75ODX1.10LG....4	
9B	1258159GT	KIT, BOOM BEARING.....1 <i>jib models from SN Z452511B-1727 to Z452513B-2766</i>	
10	107588GT	PIN,2.00DIAX10.88LG,CHAMFER.....4	
11	4828GT	NUT,NYLOCK,3/8-16	
12	14033GT	SCREW,HHC,3/8-16 X 2.75	
13	50455GT	PIN,1.50DIAX13.88LG,2HOLE.....4	
14	54726GT	WEAR PAD,SECONDARY CYL,NON/JIB.....1 <i>Z-45/25</i>	
15	6326GT	SCREW,HHC,3/8-16 X 3 <i>Z-45/25</i>	
16	5397GT	WASHER,FLAT,USS,5/16",Y <i>Z-45/25</i>	
17	7713GT	NUT, LP NYLOCK, 3/8-16 <i>Z-45/25</i>	
18	88203GT	CYLINDER,ELEVATE,Z45/25***.....2	
--	77303GT	VALVE, CNTRBAL 3500 PSI, ATM VEN	
--	77521GT	SEAL KIT,ELEVATE (88203)	
19	107590GT	PIN,2.00DIAX12.88LG,CHAMFER***.....1	
20	107859GT	PIN,2.00DIAX12.88LG,CHAMFER***.....1 <i>(replaced 107589)</i>	

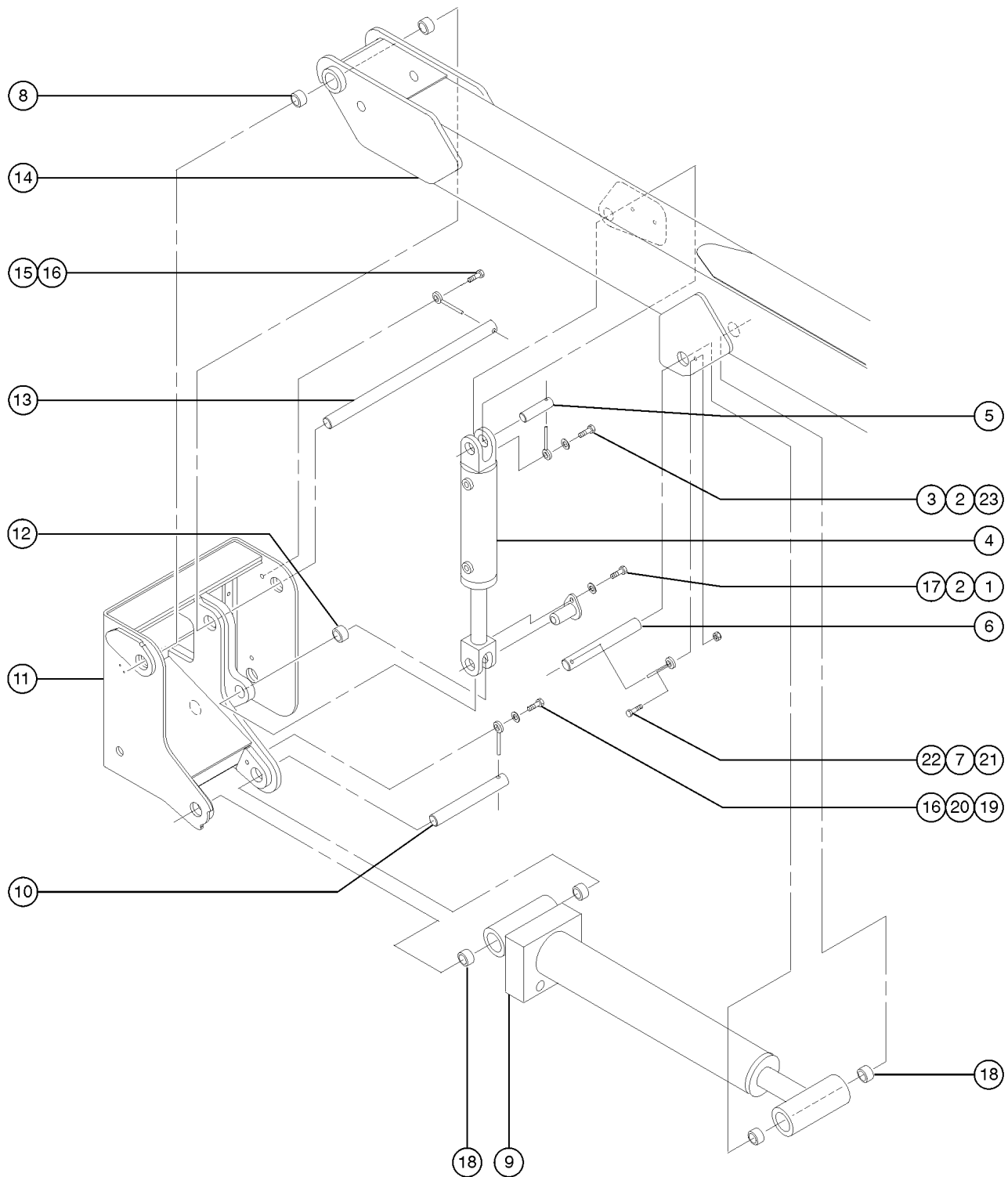
502.1 Boom Linkage



502.1 Boom Linkage

Item	Part No.	Description	Qty.	Item	Part No.	Description	Qty.
1	6175GT	SCREW,HHC,3/8-16 X 1		28	50548PGT	HOSE COVER,LOWER LEVEL,BOT,PAI.....	1
2	6021GT	WASHER,LOCK,.375		29	49772GT	WEAR PAD,6 X 1.5 X.50,W/INSERT.....	1
3	6097GT	WASHER,FLAT,USS,3/8",Y		30		Ref. Upper Pivot Assembly (refer to 503.1)	
4	237688GT	COVER, UPPER PIVOT.....	1	31	94529GT	CLAMPING BLOCK,HOSE***.....	1
5	88356 11163GT	SWITCH,LIMIT,W/RLLR ARM,NO/NC*....	1	32	94531PGT	BRACKET,HOSE CLAMP PAINTED***.....	1
--	106427GT	LS ROT.HEAD W/O LEVER (ZCE01)		33	94530GT	CLAMPING BLOCK,CABLE.....	1
--	97128GT	ROLLER ARM,LIMIT SWITCH***				to SN Z452508A-37889	
6	43960GT	WIRE CABLE,16/4 CON.TPE JKT.....	396-inches	--	128998GT	CLAMPING BLOCK, CABLE, Z45/51 from SN Z452508A-37890	
7	110305GT	UPPER SECONDARY ARM ASSY-Z45**.....	1	34	6888GT	SCREW,HHC,1/4-20 X 1	
8	7713GT	NUT, LP NYLOCK, 3/8-16		35	88356 11205GT	SWITCH,LIMIT,W/RLLR ARM NO/NC.....	1
9	6638GT	WASHER,FLAT,USS,1/4"Y		--	89756GT	NECK/HEAD-LIMIT SWITCH (88356)	
10	88370PGT	HOSE COVER,UPPER ARM,PAINTED		--	97128GT	ROLLER ARM,LIMIT SWITCH***	
11	110306GT	UPPER LEVEL ARM ASSY,SERV***.....	1	36	70685PGT	FORMING, HOSE CLAMP, PAINTED	
12	50517-SGT	HOSE COVER,LOWER LEVEL,TOP,PAI.....	1	37	56849GT	PAD,REST,1"THICK,W/STUDS*.....	1
13	110307GT	LOWER LEVEL ARM ASSY***.....	1	38	1697-400GT	TRIMLOCK,BLACK,3/16 X 4 INCHES.....	2
14	110310GT	MIDPIVOT ASSY Z45IC***.....	1	39	42941-75GT	HOSE,3/8",FUEL,30R7	
		USA/Canada/Australian					
--	106972GT	WELDMENT,MID PIVOT,MACHINED*** Europe/Asia/ South America					
15		Ref., WEAR PAD refer to 504.1 or 504.2					
15	50952-SGT	BOOM REST WELDMENT Z-45/25J					
16A	10587GT	SCREW,HHC,1/2-13 X.75 Z-45/25					
16B	8177GT	SCREW,HHC,1/2-13 X 1.5 Z-45/25J					
17	6033GT	WASHER,LOCK,0.5" Z-45/25J					
18	6095GT	WASHER,FLAT,USS,1/2",Y Z-45/25J					
19A	107881GT	WEAR PAD,MID PIVOT***.....	2				
		Z-45/25					
19B	107881GT	WEAR PAD,MID PIVOT***.....	1				
		Z-45/25J					
20	6637GT	SCREW,HHC,1/4-20 X 1.75					
21	6091GT	NUT,NYLOCK,1/4-20					
22	50479-SGT	CONNECTING LINK, Z45/25.....	1				
23	110308GT	LOWER SECONDARY ARM ASSY***.....	1				
24	49775GT	SCREW,PHILLIPS,PHM,10-32X 1.75					
25	6178GT	NUT,NYLOCK,10-32					
26	8914GT	SCREW,HHC,1/4-20 X .625					
27	6833GT	CLAMP,0.50,#8 X 1/4,RUB CUSH					

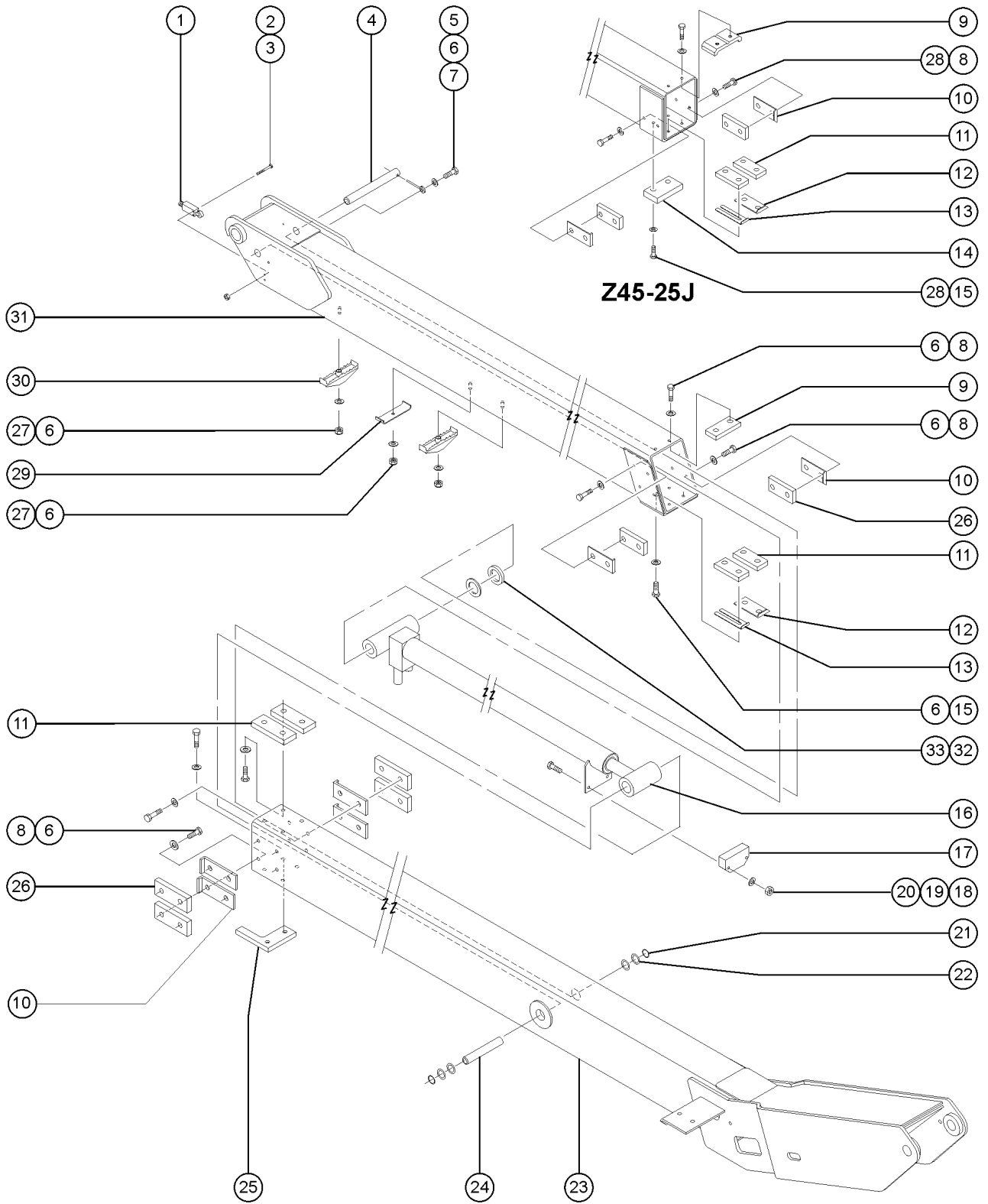
503.1 Upper Pivot Components



503.1 Upper Pivot Components

Item	Part No.	Description	Qty.	Item	Part No.	Description	Qty.
1	6175GT	SCREW,HHC,3/8-16 X 1		17	70671GT	PIN,1.25 DIA X 3.19 LG, PLATE.....1	
2	6021GT	WASHER,LOCK, .375		18	1262633GT	BEARING,POLYGON,BM5120.....4	
3	1255452GT	ROD END, .375 X 2.25,ZAG		19	8177GT	SCREW,HHC,1/2-13 X 1.5	
4	77362GT	CYLINDER,MASTER,Z45***.....1		20	6033GT	WASHER,LOCK,0.5"	
--	77364GT	SEAL KIT,MASTER & SLAVE CYL		21	8516GT	SCREW, HCC, 3/8-16 X 1.50	
5	34276GT	PIN,1.25DIA X 3.37LG,1HOLE.....1		22	4828GT	NUT,NYLOCK,3/8-16	
6	50542GT	PIN,1.75DIA X 9.25LG,1HOLE.....1		23	8255GT	SCREW,HHC,3/8-16 X .75	
7	825019GT	ROD END, .375 X 3.69,ZAG					
8	18720GT	BEARING,2.0IDX2.25ODX1.50L.....2					
9A	1263056GT	CYLINDER,PRIM LIFT NON JIB,Z45 <i>includes item 18 (used in production from SN 19887 to SN 40637 and from SN 42132)</i>					
--	77014GT	VALVE,COUNTERBALANCE,3800 PSI <i>for 77187, 1263056 (from SN 19887 to SN 40637 and from SN 42132) (identify part number on cylinder before ordering)</i>					
--	77189GT	SEAL KIT,CYL,Z45 (77187&77188) <i>for 77187, 1263056 (from SN 19887 to SN 40637 and from SN 42132) (identify part number on cylinder before ordering)</i>					
9B	1263057GT	CYLINDER,PRIM LIFT JIB,Z45.....1 <i>includes item 18 (used in production from SN 19887 to SN 40637 and from SN 42132)</i>					
--	77014GT	VALVE,COUNTERBALANCE,3800 PSI <i>for 77188, 1263057 (from SN 19887 to SN 40637 and from SN 42132) (identify part number on cylinder before ordering)</i>					
--	77189GT	SEAL KIT,CYL,Z45 (77187&77188) <i>for 77188, 1263057 (from SN 19887 to SN 40637 and from SN 42132) (identify part number on cylinder before ordering)</i>					
9C	50480GT	VALVE,COUNTERBALANCE,3800 PSI* <i>for 147260 (from SN 40638 to SN 42131) (identify part number on cylinder before ordering)</i>					
9D	147284GT	SEAL KIT,147260*** <i>for 147260 (from SN 40638 to SN 42131) (identify part number on cylinder before ordering)</i>					
10	70534GT	PIN,1.75DIA X 11.88LG,CHAMFER.....1					
11	110309GT	UPPER PIVOT W/BEARING-Z45/25**					
--	55753GT	BUMPER, PLASTIC, 1.25 O.D.					
12	30370GT	BEARING,1.25IDX1.5ODX1.00L.....1					
13	88676GT	PIN,2.00DIA X 24.00LG,CHAMFER***.....1					
14		Ref. Primary Boom Tube Assembly (refer to 504.1) <i>(refer to 504.1)</i>					
15	10597GT	SCREW,HHC,1/2-13 X 1.25 GR5					
16	1256267GT	ROD END, .5 X 3.75,ZAG					

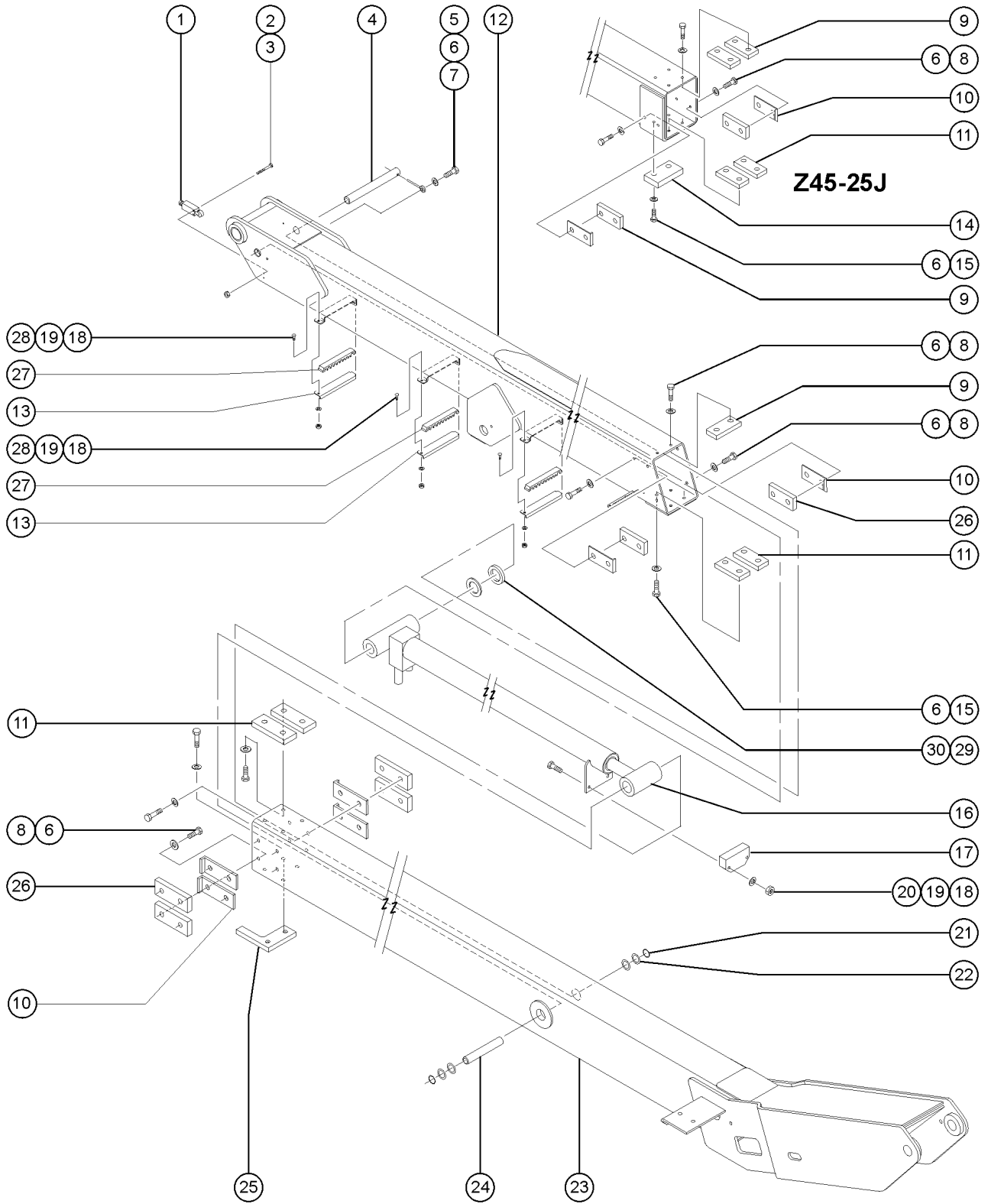
504.1 Primary and Extension Booms (to SN Z452508A-37889 and Z452511B-1718)



504.1 Primary and Extension Booms (to SN Z452508A-37889 and Z452511B-1718)

Item	Part No.	Description	Qty.	Item	Part No.	Description	Qty.
--	150103GT	WIRE LOOM,1.25"NYLON,HIGH TEMP.....103-inches		25	50552GT	WEAR PAD,EXTENSION BOOM.....1	
1	88356-11205GT	SWITCH,LIMIT,W/RLLR ARM NO/NC.....1		26	30138GT	WEAR PAD,5 X 1.5 X .625 W/NUTS.....8	
--	97128GT	ROLLER ARM,LIMIT SWITCH***		27	4828GT	NUT,NYLOCK,3/8-16	
2	54239GT	SCREW,PHILLIPS,PHM,10-32 X 2.0		28	6097GT	WASHER,FLAT,USS,3/8",Y Z-45/25J	
3	6178GT	NUT,NYLOCK,10-32		29	54530GT	CLAMP,HOSE,ALUMINUM.....1	
4	50584GT	PIN,1.25DIAX9.38LG,THREADED.....1		30	77106GT	CLAMP,CABLE & HOSE,PLASTIC.....2	
5	6019GT	SCREW,HHC,3/8-16 X 1.25 GRD 5		31A	110384GT	PRIMARY BOOM ASSY,STD,Z45/25 Z-45/25	
6	6097GT	WASHER,FLAT,USS,3/8",Y		31B	110385GT	PRIMARY BOOM ASSY,JIB,Z45/25J.....1 Z-45/25J	
7	825019GT	ROD END,.375X3.69,ZAG		32	77376GT	SPACER,NYLON,2.00 X 1.33 X.310.....1	
8	94195GT	SCREW,HHC,3/8-16 X .75,GR 8		33	77375GT	SPACER,NYLON,2.01 X 1.28 X.135.....1	
9A	34125GT	WEAR PAD,5 X 1.5 X .75 W/NUTS.....1 Z-45/25					
9B	30138GT	WEAR PAD,5 X 1.5 X .625 W/NUTS.....2 Z-45/25J					
10	38620GT	SHIM,WEAR PAD,5 X 1.5,14GA					
11	34125GT	WEAR PAD,5 X 1.5 X .75 W/NUTS.....4					
12	38620GT	SHIM,WEAR PAD,5 X 1.5,14GA					
13	29080GT	SHIM,WEAR PAD,5X 1.5 16GA					
14	54157GT	WEAR PAD,PRIMARY BOOM,JIB.....1 Z-45/25J					
15A	8516GT	SCREW, HCC, 3/8-16 X 1.50 Z-45/25					
15B	13918GT	SCREW,HHC,3/8-16 X 1.75,GRD.8 Z-45/25J					
16A	54570GT	CYLINDER,EXTEND,Z45 NON JIB.....1 Z-45/25					
--	54063GT	VALVE,CB.CBBC-LHN@1000***					
--	65788GT	SEAL KIT CYL Z45 (54570)					
--	77410GT	VALVE,COUNTERBALNCE,1500 PSI**					
16B	54569GT	CYLINDER,EXTEND,Z45J***.....1 Z-45/25J					
--	54063GT	VALVE,CB.CBBC-LHN@1000***					
--	65790GT	SEAL KIT CYL.Z45(54569)					
--	77410GT	VALVE,COUNTERBALNCE,1500 PSI**					
17	50698GT	WEAR PAD,EXTENSION CYLINDER.....1					
18	6091GT	NUT,NYLOCK,1/4-20					
19	6638GT	WASHER,FLAT,USS,1/4"Y					
20	6637GT	SCREW,HHC,1/4-20 X 1.75					
21	824164GT	SNAP RING,EXTERNAL,1.25,ZAG					
22	30255GT	WASHER,SHIM,1.27 X 2.13 X .062					
23A	50315GT	EXTENSION BOOM WELDMNT,NON-JIB Z-45/25					
23B	119649GT	WELDMNT,EXTENSION BOOM,JIB,Z45 Z-45/25J					
24	50546GT	PIN,1.25DIAX6.36LG,2RING.....1					

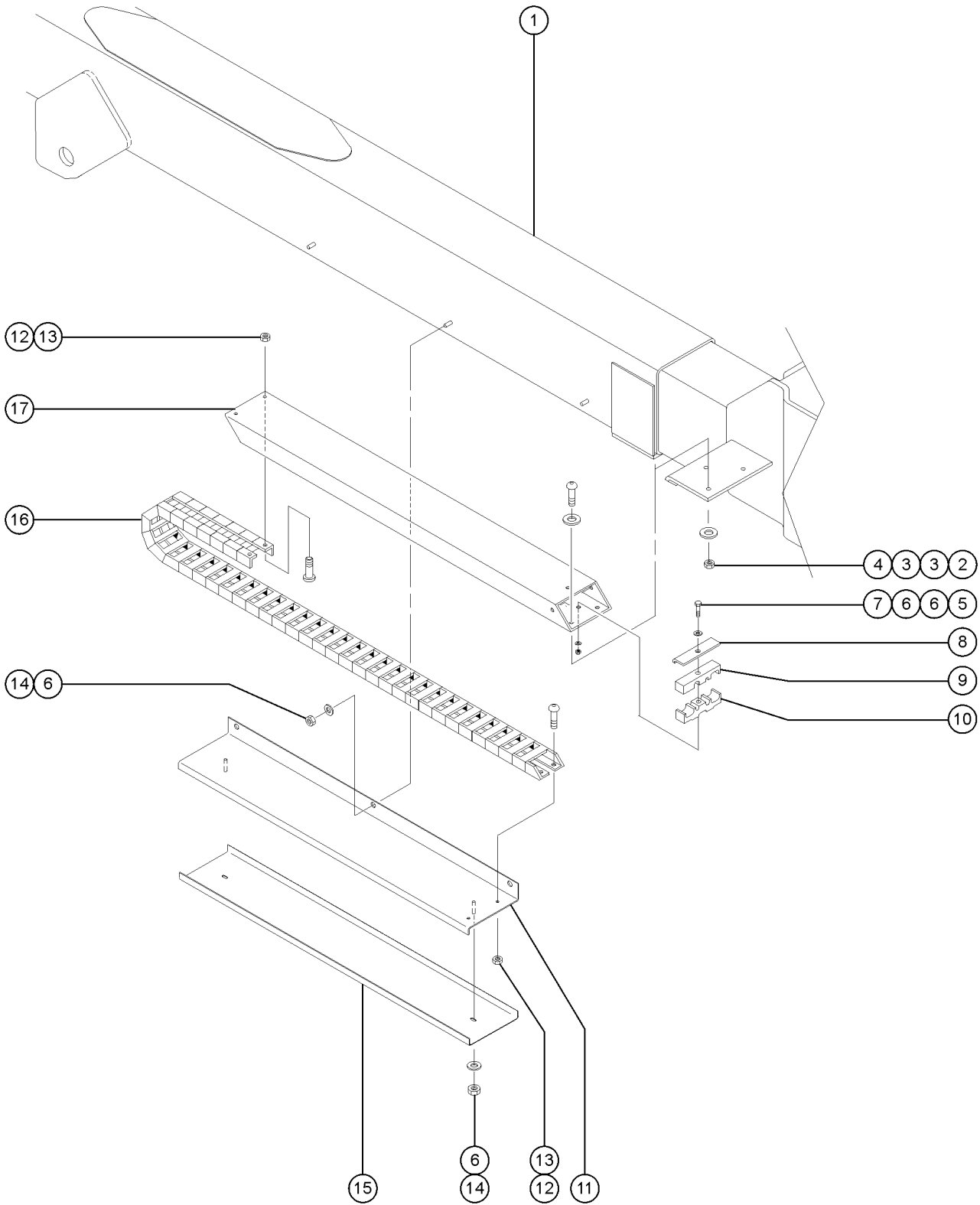
504.2 Primary and Extension Booms (from SN Z452508A-37890 and Z452511B-1719)



504.2 Primary and Extension Booms (from SN Z452508A-37890 and Z452511B-1719)

Item	Part No.	Description	Qty.	Item	Part No.	Description	Qty.
--	150103GT	WIRE LOOM,1.25"NYLON,HIGH TEMP.....103-inches		24	50546GT	PIN,1.25DIA X 6.36LG,2RING.....1	1
1	88366-11205GT	SWITCH,LIMIT,W/RLLR ARM NO/NC.....1		25	50552GT	WEAR PAD,EXTENSION BOOM.....1	1
--	97128GT	ROLLER ARM,LIMIT SWITCH***		26	30138GT	WEAR PAD,5 X 1.5 X .625 W/NUTS.....8	8
2	54239GT	SCREW,PHILLIPS,PHM,10-32 X 2.0		27	128601GT	CLAMP, PRI, HOSE/CABLE, Z45/51.....3	3
3	6178GT	NUT,NYLOCK,10-32		28	79456GT	BOLT,CARRIAGE,1/4-20 X 1.00,G2.....3 Z-45/25J	3
4	50584GT	PIN,1.25DIA X 9.38LG,THREADED.....1		29	77376GT	SPACER,NYLON,2.00 X 1.33 X .310.....1	1
5	6019GT	SCREW,HHC,3/8-16 X 1.25 GRD 5		30	77375GT	SPACER,NYLON,2.01 X 1.28 X .135.....1	1
6	6097GT	WASHER,FLAT,USS,3/8",Y					
7	825019GT	ROD END,.375X3.69,ZAG					
8	94195GT	SCREW,HHC,3/8-16 X .75,GR 8					
9A	34125GT	WEAR PAD,5 X 1.5 X .75 W/NUTS.....1 Z-45/25					
9B	34125GT	WEAR PAD,5 X 1.5 X .75 W/NUTS.....2 Z-45/25J					
10	38620GT	SHIM,WEAR PAD,5 X 1.5,14GA					
11	34125GT	WEAR PAD,5 X 1.5 X .75 W/NUTS.....4					
12A	1257051GT	ASSEMBLY,PRIMARY BOOM,Z45 NJ Z-45/25					
12B	1257052GT	ASSEMBLY,PRIMARY BOOM,Z45 JIB Z-45/25J					
13	128995GT	FORMING, HOSE CLAMP RETAINER...3					
14	54157GT	WEAR PAD,PRIMARY BOOM,JIB.....1 Z-45/25J only					
15A	8516GT	SCREW, HCC, 3/8-16 X 1.50 Z-45/25					
15B	13918GT	SCREW,HHC,3/8-16 X 1.75,GRD.8 Z-45/25J					
16A	54570GT	CYLINDER,EXTEND,Z45 NON JIB.....1 Z-45/25					
--	54063GT	VALVE,CB.CBBC-LHN@1000***					
--	65788GT	SEAL KIT CYL Z45 (54570)					
--	77410GT	VALVE,COUNTERBALNCE,1500 PSI**					
16B	54569GT	CYLINDER,EXTEND,Z45J***.....1 Z-45/25J					
--	54063GT	VALVE,CB.CBBC-LHN@1000***					
--	65790GT	SEAL KIT CYL.Z45(54569)					
--	77410GT	VALVE,COUNTERBALNCE,1500 PSI**					
17	50698GT	WEAR PAD,EXTENSION CYLINDER.....1					
18	6091GT	NUT,NYLOCK,1/4-20					
19	6638GT	WASHER,FLAT,USS,1/4"Y					
20	6637GT	SCREW,HHC,1/4-20 X 1.75					
21	824164GT	SNAP RING,EXTERNAL,1.25,ZAG					
22	30255GT	WASHER,SHIM,1.27 X 2.13 X .062					
23A	50315GT	EXTENSION BOOM WELDMNT,NON-JIB Z-45/25					
23B	128304GT	WELDMNT,EXT. BOOM,Z45 JIB Z-45/25J					

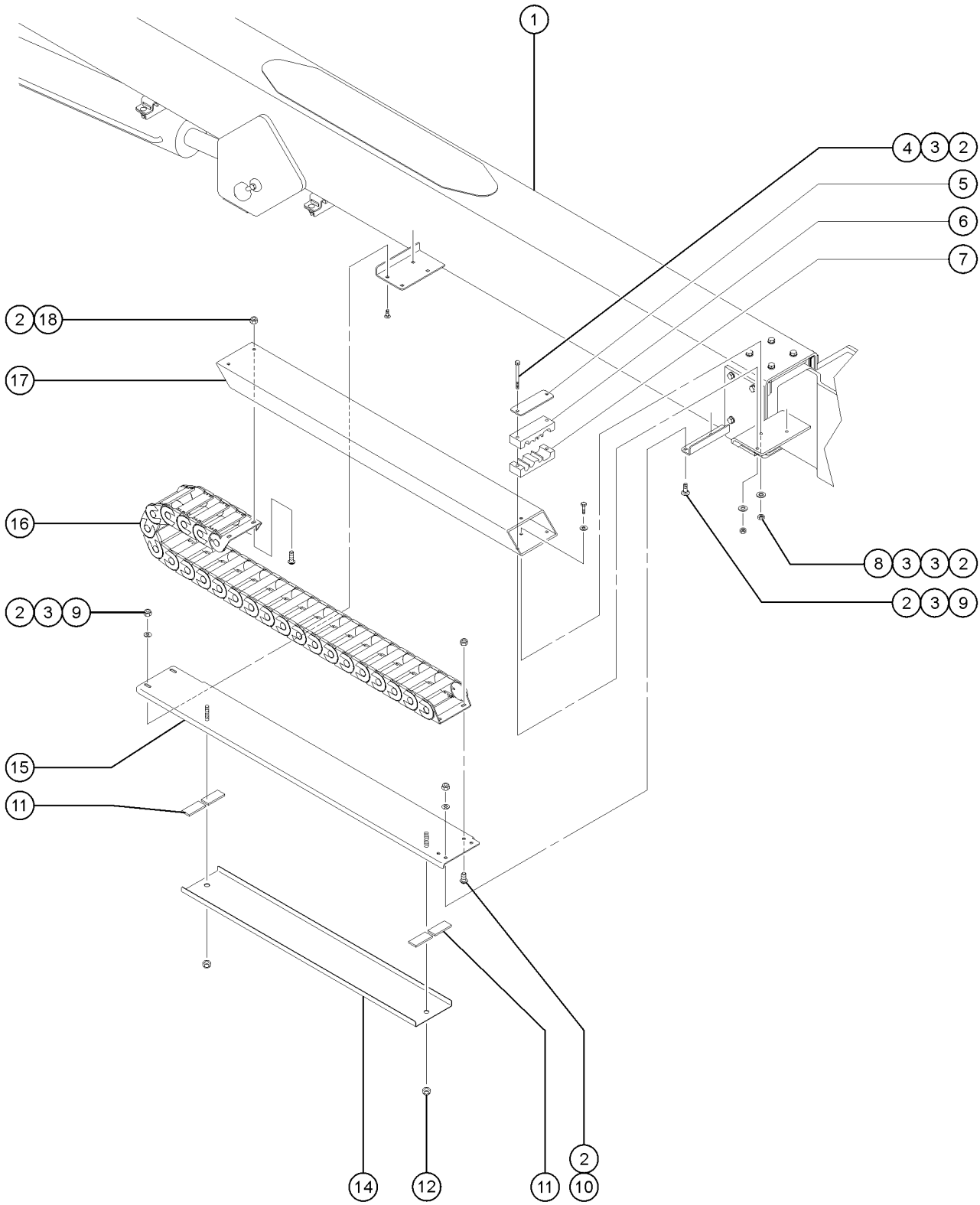
505.1 Cable Track (to SN Z452508A-37889 and Z452511B-1718)



505.1 Cable Track (to SN Z452508A-37889 and Z452511B-1718)

Item	Part No.	Description	Qty.
1		Ref. Primary Boom Tube Assembly (refer to Figure 504.1)	
2	18504GT	NUT,LOCKING-LG.FLANGE,1/4-20	
3	6638GT	WASHER,FLAT,USS,1/4"Y	
4	54830GT	SCREW,BHSC,1/4-20 X .88,Y/ZINC	
5	6326GT	SCREW,HHC,3/8-16 X 3	
6	5397GT	WASHER,FLAT,USS,5/16",Y	
7	4828GT	NUT,NYLOCK,3/8-16	
8	106804PGT	BACKING, HOSE CLAMP PTD.....2	
9	106585GT	CLAMP,HOSE Z-45 PRIMARY.....2	
10	106581GT	CLAMP,JIB HOSE Z45.....2	
--	107901GT	CLAMP, ARCTIC HOSE	
11A	54981GT	WELDMNT,CABLE TRACK TRAY,NJIB Z-45/25	
11B	54983GT	WLDMNT,CABLE TRACK TRAY,JIB.....1 Z-45/25J	
12	6091GT	NUT,NYLOCK,1/4-20	
13	14297GT	SCREW,BHHS,1/4-20 X .75	
14	7713GT	NUT, LP NYLOCK, 3/8-16	
15A	54985PGT	CHANNEL,CABLE TRACK COV,NONJ,P Z-45/25	
15B	54984PGT	CHANNEL,CABLE TRK COVER,JIB,PA.....1 Z-45/25J	
16A	50452GT	CABLE TRACK,PLASTIC,35 LINK Z-45/25	
--	58919GT	REPAIR LINK,7 LINKS*** for 50452	
--	58920GT	REPAIR LINK END SET (42763)* for 50452	
--	58927GT	LINK,NYLATRAC KS6-5.4*** for 50452	
16B	50451GT	CABLE TRACK,PLASTIC,26 LINK*.....1 Z-45/25J	
--	58919GT	REPAIR LINK,7 LINKS*** for 50451	
--	58920GT	REPAIR LINK END SET (42763)* for 50451	
--	58927GT	LINK,NYLATRAC KS6-5.4*** for 50451	
17A	54460GT	TUBE,CABLE TRACK ARM NON-JIB Z-45/25	
17B	54461GT	TUBE,CABLE TRACK ARM,JIB.....1 Z-45/25J	

505.2 Cable Track (from SN Z452508A-37890 and Z452511B-1719)

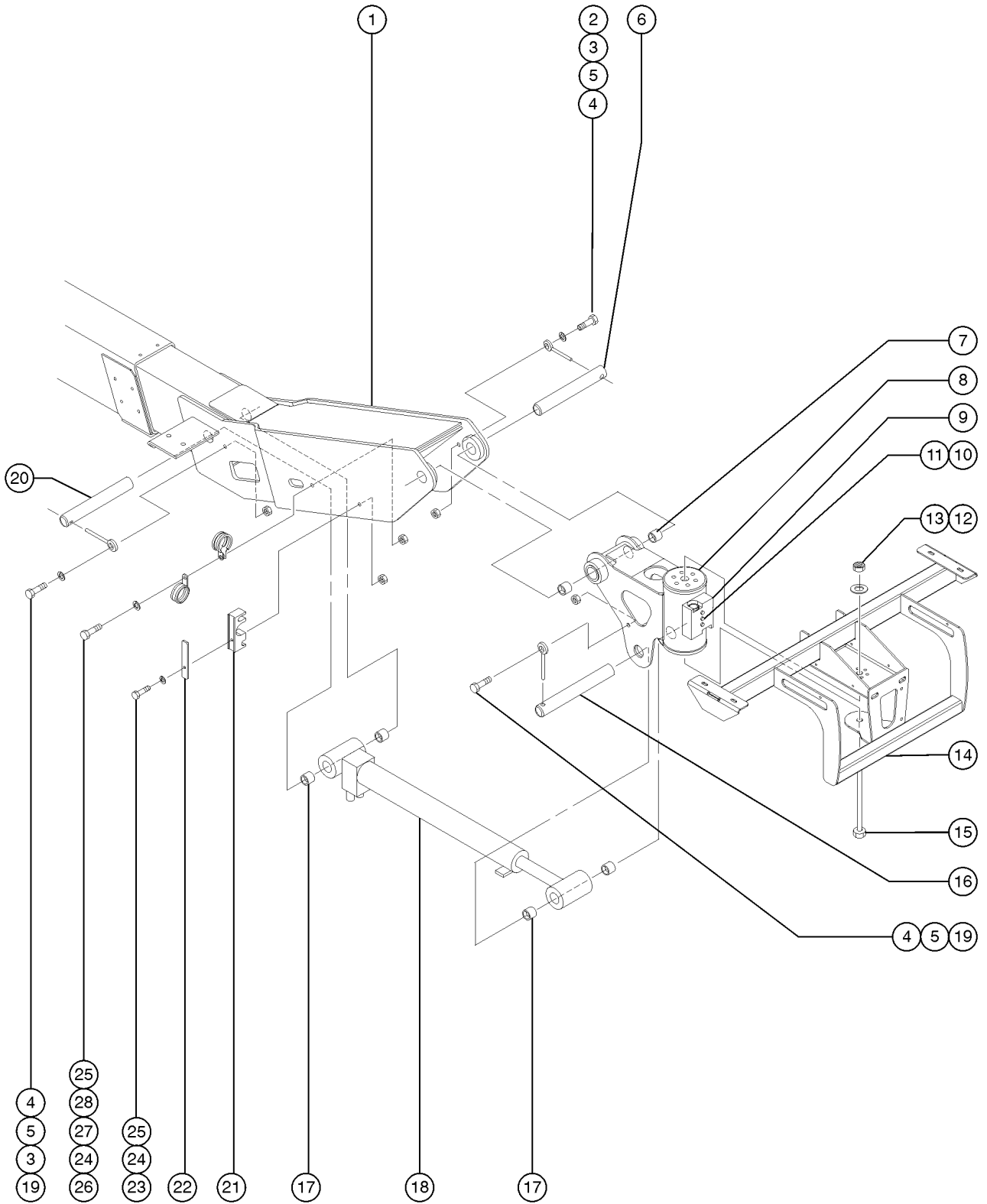


A TEREX BRAND

505.2 Cable Track (from SN Z452508A-37890 and Z452511B-1719)

Item	Part No.	Description	Qty.	Item	Part No.	Description	Qty.
1		PRIMARY BOOM ASSY <i>refer to section 504</i>		16D	139702GT	CABLE TRACK, NP400, 23 LINK.....1 <i>Z-45/25J (from SN Z452509A-38979) (from SN Z452511B-1719)</i>	
2	6091GT	NUT,NYLOCK,1/4-20		--	111051GT	REPAIR LINK,7 LINKS NP400-7*** <i>for 139702</i>	
3	6638GT	WASHER,FLAT,USS,1/4"Y		--	111052GT	REPAIR LINK,NP400-7*** <i>for 139702</i>	
4	12343GT	SCREW,HHC,1/4-20 X 3		--	111053GT	REPAIR END BRKT SET,NP400-7*** <i>for 139702</i>	
5	128862GT	BACKING PLATE, PULLTUBE.....1		17A	128597GT	TUBE, CABLETRACK ARM, Z51.....1 <i>Z-45/25</i>	
6	128310GT	CLAMP, JIB HOSE/CABLE, Z45/51.....1		17B	128309GT	TUBE, CABLETRACK ARM, Z40/45.....1 <i>Z-45/25J</i>	
7	128311GT	CLAMP, JIB HOSE/CABLE, Z45/51.....1		18	14297GT	SCREW,BHHS,1/4-20 X .75	
8	6888GT	SCREW,HHC,1/4-20 X 1					
9	6878GT	BOLT,CARRIAGE,1/4-20 X .75,G2					
10	12011GT	SCREW,BHHS,1/4-20 X .5,Y/ZINC					
11	54271GT	SPACER,HOSE CLAMP,RUBBER.....4					
12	1274322GT	NUT,NYLOCK FLG,3/8-16,F,ZAG					
13							
14A	128596GT	COVER, CABLETRACK TRAY, Z51.....1 <i>Z-45/25</i>					
14B	128308GT	COVER,CABLETRACK TRAY,Z40/45.....1 <i>Z-45/25J</i>					
15A	139779GT	WELDMENT, CABLETRACK TRAY.....1 <i>Z-45/25</i>					
15B	139781GT	WELDMENT, CABLETRACK TRAY.....1 <i>Z-45/25J</i>					
16A	50452GT	CABLE TRACK,PLASTIC,35 LINK <i>Z-45/25 from SN Z452507A-34011 to Z452509A-38978</i>					
--	58919GT	REPAIR LINK,7 LINKS*** <i>for 50452</i>					
--	58920GT	REPAIR LINK END SET (42763)* <i>for 50452</i>					
--	58927GT	LINK,NYLATRAC KS6-5.4*** <i>for 50452</i>					
16B	139701GT	CABLE TRACK, NP400, 31 LINK.....1 <i>Z-45/25 from S452509A-38979</i>					
--	111051GT	REPAIR LINK,7 LINKS NP400-7*** <i>for 139701</i>					
--	111052GT	REPAIR LINK,NP400-7*** <i>for 139701</i>					
--	111053GT	REPAIR END BRKT SET,NP400-7*** <i>for 139701</i>					
16C	50452GT	CABLE TRACK,PLASTIC,35 LINK <i>Z-45/25J (from SN Z452507A-34011 to Z452509A-38978) (from SN Z452507B-101 to Z452511B-1718)</i>					
--	58919GT	REPAIR LINK,7 LINKS*** <i>for 50452</i>					
--	58920GT	REPAIR LINK END SET (42763)* <i>for 50452</i>					
--	58927GT	LINK,NYLATRAC KS6-5.4*** <i>for 50452</i>					

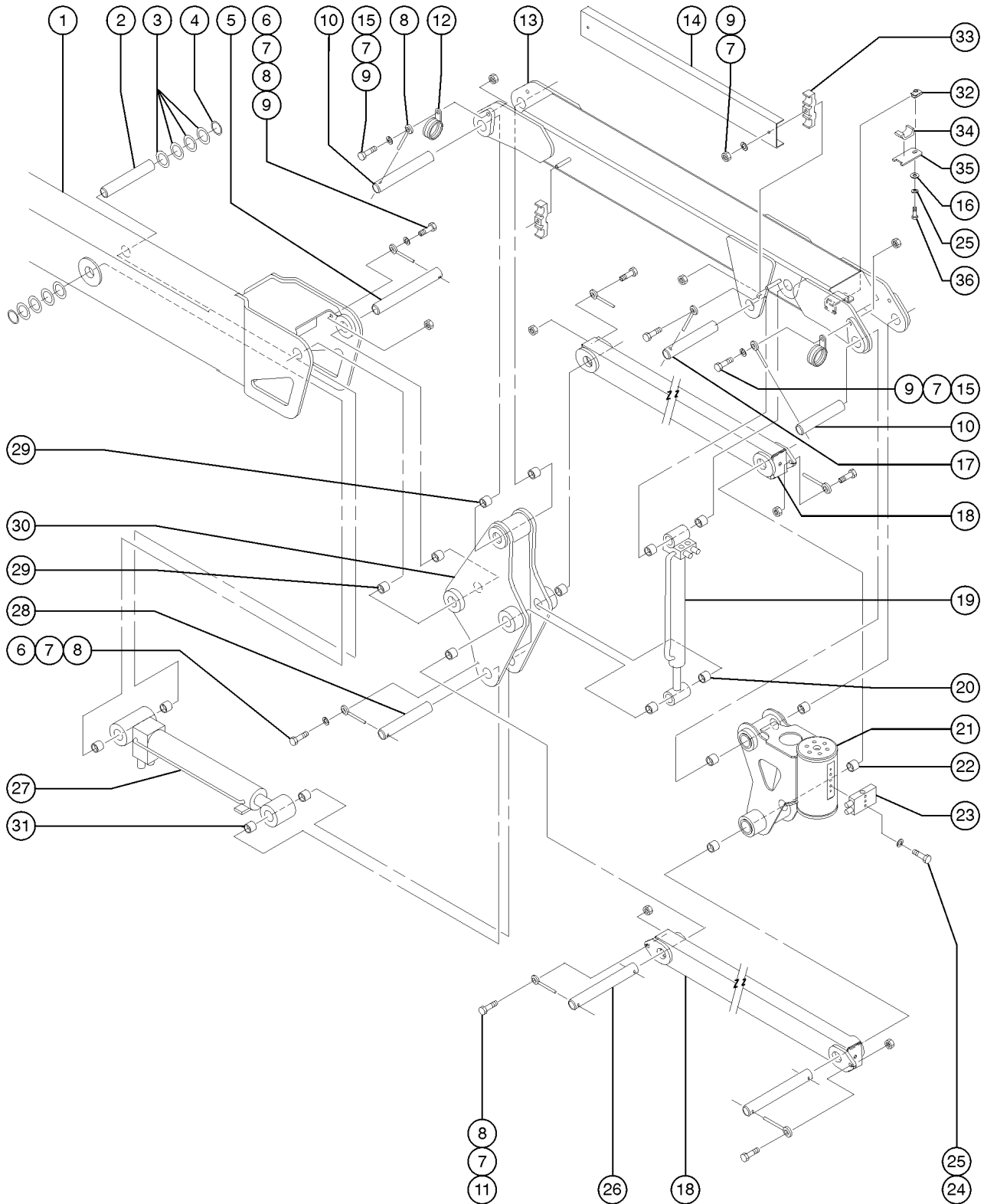
506.1 Non-Jib Platform Leveling and Rotation, Z-45/25



506.1 Non-Jib Platform Leveling and Rotation, Z-45/25

Item	Part No.	Description	Qty.	Item	Part No.	Description	Qty.
--	150103GT	WIRE LOOM,1.25"NYLON,HIGH TEMP.....103-inches		27	21619GT	CLAMP,1.50,#24 X 1/4,RUB CUSH	
1		Ref. Primary Extension Boom (refer to 504.1)		28	21618GT	CLAMP,1.13,#18 X 1/4,RUB CUSH	
2	8516GT	SCREW, HCC, 3/8-16 X 1.50					
3	5397GT	WASHER,FLAT,USS,5/16",Y					
4	7713GT	NUT, LP NYLOCK, 3/8-16					
5	825019GT	ROD END,.375X3.69,ZAG					
6	50543GT	PIN,1.25DIAX8.88LG,1HOLE.....1					
7	30222GT	BEARING,FL,1.25IDX1.41ODX1.50L.....2					
8	233716GT	ROTATOR,PLAT,Z45.....1 <i>includes item 7; non-jib units</i>					
--	147369GT	SEAL AND BRG KIT,4.5K ROTATOR* <i>for 94402</i>					
--	233745GT	SEAL AND BRG KIT,4.5K ROTATOR <i>for 233716</i>					
9		Ref. Counterbalance Manifold (refer to 704.1)					
10	6145GT	SCREW,HHC,1/4-20 X 1.5					
11	6356GT	WASHER,LOCK,.25					
12	77051GT	NUT,NYLOCK,3/4-10,GRD.8.....1					
13	33278GT	WASHER,FLAT,.75 HARDENED.....1					
14	54520-SGT	WELDMNT,PLATFRM SUPPORT,NJIB**.....1 <i>refer to 907.1 for models with load sense option</i>					
15	56925GT	SCREW,HHC,3/4-10 X 9.5 GR 8 YE.....1					
16	T108075GT	PIN,1.25DIAX5.25LG,1HOLE.....1					
17	25683GT	BEARING,POLYGON,20DU12.....4					
18	77363GT	CYLINDER,SLAVE,Z45***.....1 <i>includes item 17</i>					
--	54065GT	VALVE,COUNTERBALANCE,3500***					
--	77364GT	SEAL KIT,MASTER & SLAVE CYL					
19	6019GT	SCREW,HHC,3/8-16 X 1.25 GRD 5					
20	T107884GT	PIN,1.25DIAX7.00LG,1HOLE.....1					
21A	106526GT	CLAMP,HOSE ROUTE,2X#4,LOOM.....1 <i>(to SN 39070)</i>					
21B	139687GT	CLAMP, #4 HOSE, AIR AND LOOM <i>(from SN 39071) (shown)</i>					
22A	107595GT	BRACKET,HOSE CLAMP SUPPORT.....1 <i>(to SN 39070)</i>					
22B	139688GT	BRACKET, HOSE CLAMP SUPPORT <i>(from SN 39071) (shown)</i>					
23	36294GT	SCREW,HHC,1/4-20 X 2.75					
24	6638GT	WASHER,FLAT,USS,1/4"Y					
25	6091GT	NUT,NYLOCK,1/4-20					
26	6888GT	SCREW,HHC,1/4-20 X 1					

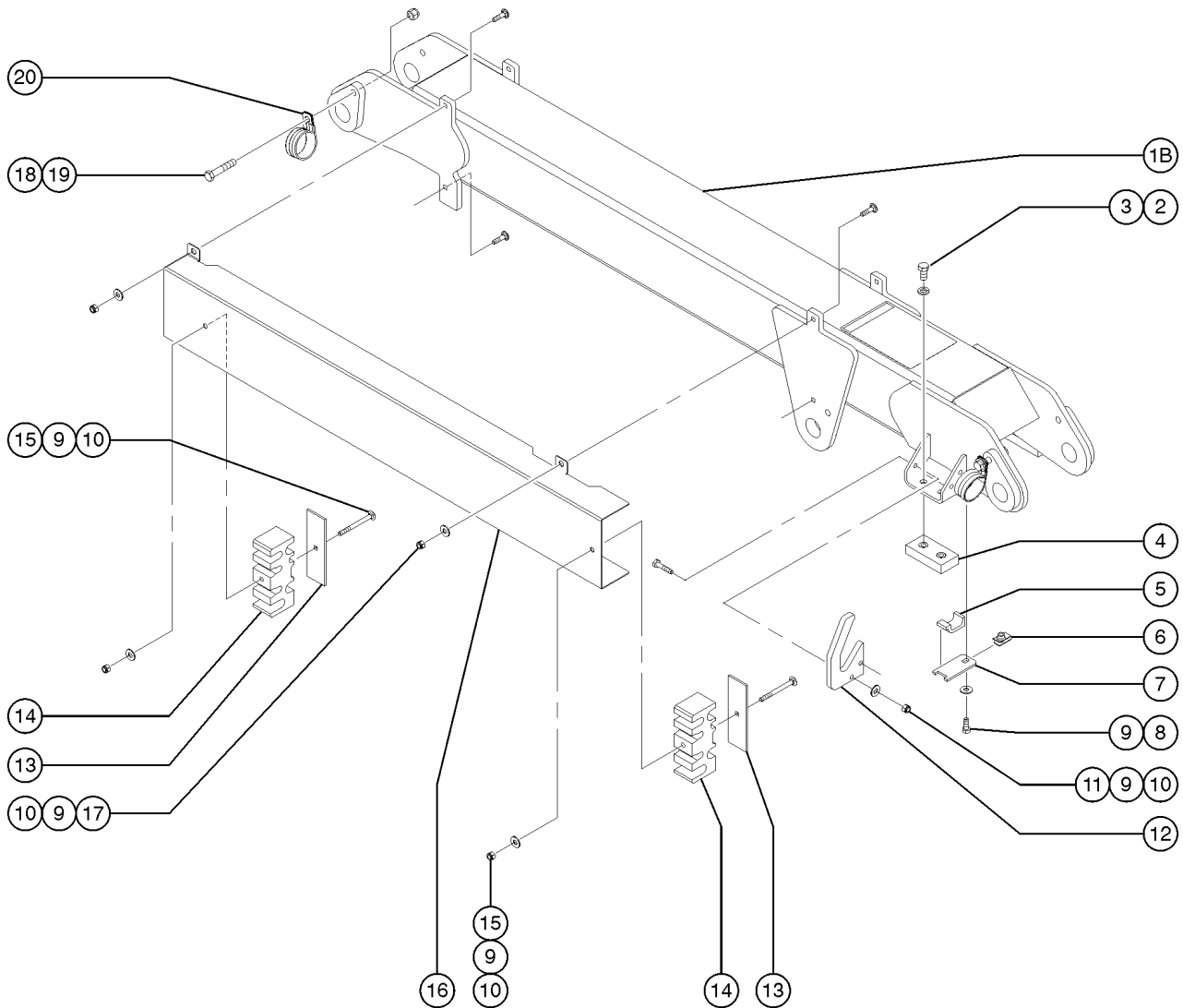
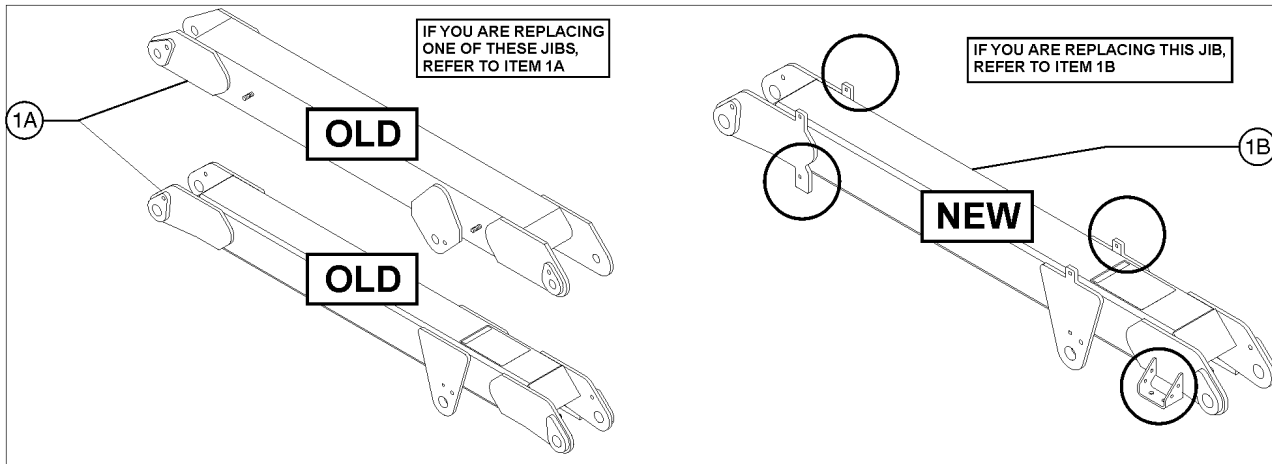
507.1 Jib Boom and Platform Leveling (to SN Z452508A-35743 and Z452508B-1360)



507.1 Jib Boom and Platform Leveling (to SN Z452508A-35743 and Z452508B-1360)

Item	Part No.	Description	Qty.	Item	Part No.	Description	Qty.
--	150103GT	WIRE LOOM,1.25"NYLON,HIGH TEMP.....103-inches		27	77363GT	CYLINDER,SLAVE,Z45***.....1 <i>includes item 31</i>	1
1		Ref. Primary and Extension Booms (refer to 504.1)		--	54065GT	VALVE,COUNTERBALANCE,3500***	
2	50546GT	PIN,1.25DIAX6.36LG,2RING.....1	1	--	77364GT	SEAL KIT,MASTER & SLAVE CYL	
3	30255GT	WASHER,SHIM,1.27 X 2.13 X .062		28	T108075GT	PIN,1.25DIAX5.25LG,1HOLE.....1	1
4	824164GT	SNAP RING,EXTERNAL,1.25,ZAG		29	35675GT	BEARING,FL,1.25IDX1.5ODX1.25L.....6	6
5	50543GT	PIN,1.25DIAX8.88LG,1HOLE.....1	1	30	50466-SGT	BELLCRANK,JIB,WELD/Z45/25***.....1 <i>includes item 29</i>	1
6	6019GT	SCREW,HHC,3/8-16 X 1.25 GRD 5		31	25683GT	BEARING,POLYGON,20DU12.....2	2
7	5397GT	WASHER,FLAT,USS,5/16",Y		32	56912GT	SPRING CLIP,1/4-20,.025-.15X.54,ZAG	
8	825019GT	ROD END,.375X3.69,ZAG		33	106581GT	CLAMP,JIB HOSE Z45.....2	2
9	4828GT	NUT,NYLOCK,3/8-16		--	107901GT	CLAMP, ARCTIC HOSE <i>arctic option</i>	
10	T107883GT	PIN,1.25DIAX7.88LG,1HOLE.....2	2	34	119542GT	CLAMP,TWO HOSE.....1	1
11	8516GT	SCREW, HCC, 3/8-16 X 1.50		35	119536PGT	BRACKET,HOSE CLAMP,PAINTED.....1	1
12	27497GT	CLAMP,RUBBER CUSHIONED-2 5/32....2	2	36	6888GT	SCREW,HHC,1/4-20 X 1	
13		SERVICE KIT, 5FT JIB.....1 <i>refer to section 507.2 for jib detail</i>	1				
14	106540PGT	CABLE COVER,JIB PAINTED.....1	1				
15	5224GT	SCREW,HHC,3/8-16 X 2					
16	6638GT	WASHER,FLAT,USS,1/4"Y					
17	T107884GT	PIN,1.25DIAX7.00LG,1HOLE.....1	1				
18	61306-SGT	COMPR.LINK,MACHINED,GND CONTR*.....2	2				
19	54994GT	CYLINDER,JIB,Z45,#4 PORTS***.....1 <i>includes item 20</i>	1				
--	147283GT	SEAL KIT,147259 <i>for 147259</i>					
--	43018GT	SEAL KIT (39345) <i>for 50480</i>					
--	50480GT	VALVE,COUNTERBALANCE,3800 PSI*					
--	65789GT	SEAL KIT (54994) <i>for 54994</i>					
20	25683GT	BEARING,POLYGON,20DU12.....4	4				
21	233715GT	ROTATOR,PLAT,Z45J/Z51J.....1 <i>includes items 6 and 22 (from SN Z4525A-43878 and from Z4525B-2432)</i>	1				
--	147369GT	SEAL AND BRG KIT,4.5K ROTATOR* <i>for 94401 (to SN Z4525A 43877 and to Z4525B-2431)</i>					
--	233745GT	SEAL AND BRG KIT,4.5K ROTATOR <i>for 233715 (from SN Z4525A-43878 and from Z4525B-2432)</i>					
22	30222GT	BEARING,FL,1.25IDX1.41ODX1.50L.....4	4				
23		Ref. Counterbalance Manifold (refer to 703.1)					
24	8915GT	SCREW,HHC,1/4-20 X 1.25					
25	6356GT	WASHER,LOCK,.25					
26	81175GT	PIN,1.25DIAX14.45LG,2HOLE.....2	2				

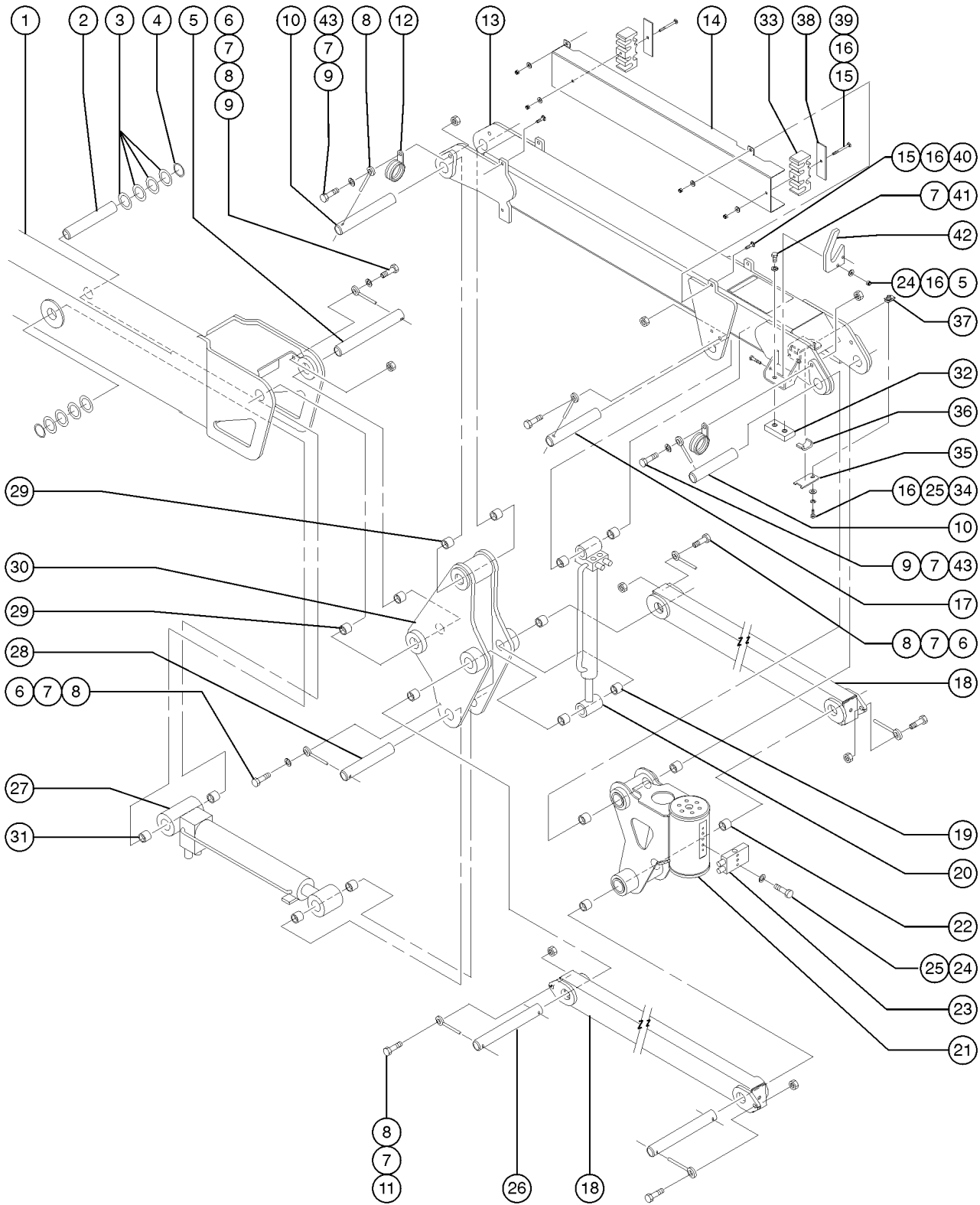
507.2 Jib Detail, Z-45/25J (to SN Z452508A-35743 and Z452508B-1360)



507.2 Jib Detail, Z-45/25J (to SN Z452508A-35743 and Z452508B-1360)

Item	Part No.	Description	Qty.
1A	128513GT	SERVICE KIT,5FT JIB <i>required for first time replacement (includes part number 128534)</i>	
--	128515GT	SERVICE KIT, 5FT JIB, ARCTIC <i>required for first time replacement (includes part number 128534); arctic option</i>	
1B	128534GT	JIB BOOM ASSY W/WORD DECAL.....1 <i>use ONLY if service kit 128513 has been installed on the machine</i>	
2	8255GT	SCREW,HHC,3/8-16 X .75	
3	6021GT	WASHER,LOCK,.375	
4	81640GT	WEAR PAD,3 X 1.5 X.625 W/NUTS.....1	
5	119542GT	CLAMP,TWO HOSE.....1	
6	56912GT	SPRING CLIP,1/4-20,.025-.15X.54,ZAG.....1	
7	119536PGT	BRACKET,HOSE CLAMP,PAINTED.....1	
8	6090GT	SCREW,HHC,1/4-20 X .75	
9	6638GT	WASHER,FLAT,USS,1/4"Y	
10	6091GT	NUT,NYLOCK,1/4-20	
11	8915GT	SCREW,HHC,1/4-20 X 1.25	
12	128482GT	HOSE GUIDE, JIB.....1 <i>For welder and airline to platform options only</i>	
13	128483GT	BACKING PLATE, HOSE BLOCK, JIB....2	
14	128510GT	CLAMP,JIB HOSE/CABLE,Z45/51.....2	
15	128724GT	BOLT,CARRIAGE,1/4-20 X 2.75,G2	
16	128454PGT	COVER, JIB HOSES/CABLES.....1	
17	79456GT	BOLT,CARRIAGE,1/4-20 X 1.00,G2	
18	5224GT	SCREW,HHC,3/8-16 X 2	
19	4828GT	NUT,NYLOCK,3/8-16	
20	77181GT	CLAMP,1.63,#26 X 3/8,RUB CUSH.....2	

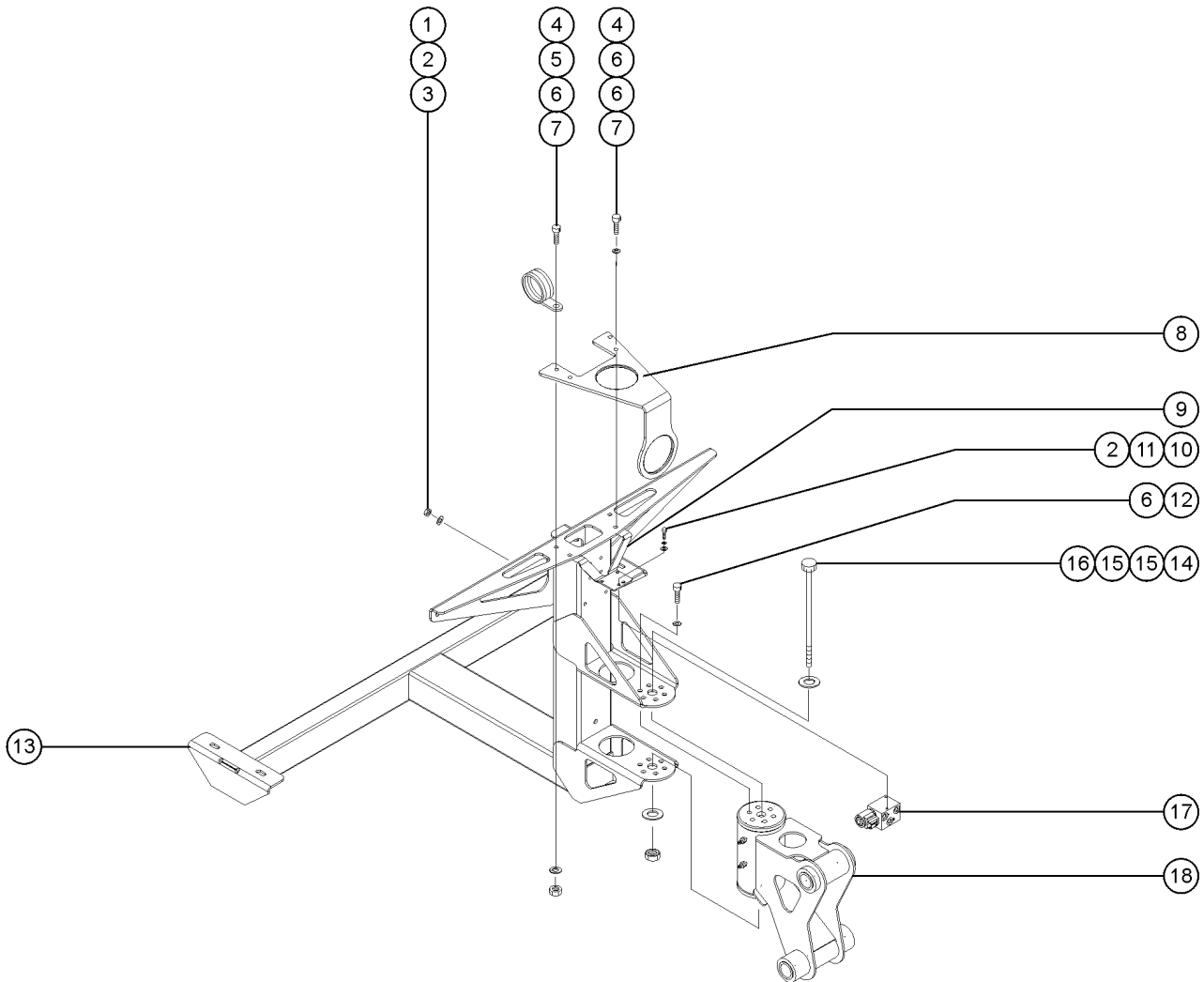
507.3 Jib Boom and Platform Leveling (from SN Z452508A-35744 and Z452508B-1361)



507.3 Jib Boom and Platform Leveling (from SN Z452508A-35744 and Z452508B-1361)

Item	Part No.	Description	Qty.	Item	Part No.	Description	Qty.
--	150103GT	WIRE LOOM,1.25"NYLON,HIGH TEMP.....103-inches		27	77363GT	CYLINDER,SLAVE,Z45***.....1 <i>includes item 31</i>	1
1		Ref. Primary and Extension Booms <i>refer to section 504.1</i>		--	54065GT	VALVE,COUNTERBALANCE,3500***	
2	50546GT	PIN,1.25DIAX6.36LG,2RING.....1	1	--	77364GT	SEAL KIT,MASTER & SLAVE CYL	
3	30255GT	WASHER,SHIM,1.27 X 2.13 X .062		28	T108075GT	PIN,1.25DIAX5.25LG,1HOLE.....1	1
4	824164GT	SNAP RING,EXTERNAL,1.25,ZAG		29	35675GT	BEARING,FL,1.25IDX1.5ODX1.25L.....6	6
5	50543GT	PIN,1.25DIAX8.88LG,1HOLE.....1	1	30	50466-SGT	BELLCRANK,JIB,WELD/Z45/25***.....1 <i>includes item 29</i>	1
6	6019GT	SCREW,HHC,3/8-16 X 1.25 GRD 5		31	25683GT	BEARING,POLYGON,20DU12.....2	2
7	5397GT	WASHER,FLAT,USS,5/16",Y		32	81640GT	WEAR PAD,3 X 1.5 X.625 W/NUTS.....1	1
8	825019GT	ROD END,.375X3.69,ZAG		33	128510GT	CLAMP,JIB HOSE/CABLE,Z45/51.....2	2
9	4828GT	NUT,NYLOCK,3/8-16		--	128511GT	CLAMP,JIB HOSE/CABLE,ARCTIC <i>Arctic Option</i>	
10	T107883GT	PIN,1.25DIAX7.88LG,1HOLE.....2	2	34	6888GT	SCREW,HHC,1/4-20 X 1	
11	8516GT	SCREW, HCC, 3/8-16 X 1.50		35	119536PGT	BRACKET,HOSE CLAMP,PAINTED.....1	1
12	27497GT	CLAMP,RUBBER CUSHIONED-2 5/32....2	2	36	119542GT	CLAMP,TWO HOSE.....1	1
13	128534GT	JIB BOOM ASSY W/WORD DECAL.....1	1	--	119994GT	CLAMP,TWO HOSE,ARCTIC <i>Arctic Option</i>	
14	128454PGT	COVER, JIB HOSES/CABLES.....1	1	37	56912GT	SPRING CLIP,1/4-20,.025-.15X.54,ZAG	
15	6091GT	NUT,NYLOCK,1/4-20		38	128483GT	BACKING PLATE, HOSE BLOCK, JIB....2	2
16	6638GT	WASHER,FLAT,USS,1/4"Y		39	128724GT	BOLT,CARRIAGE,1/4-20 X 2.75,G2	
17	T107884GT	PIN,1.25DIAX7.00LG,1HOLE.....1	1	40	79456GT	BOLT,CARRIAGE,1/4-20 X 1.00,G2	
18	61306-SGT	COMPR.LINK,MACHINED,GND CONTR*.....2	2	41	8255GT	SCREW,HHC,3/8-16 X .75	
19	25683GT	BEARING,POLYGON,20DU12.....4	4	42	128482GT	HOSE GUIDE, JIB.....1 <i>(to SN Z452512B-2353)</i>	1
20	54994GT	CYLINDER,JIB,Z45,#4 PORTS***.....1 <i>includes item 19</i>	1	43	5224GT	SCREW,HHC,3/8-16 X 2	
--	147283GT	SEAL KIT,147259 <i>for 147259</i>					
--	43018GT	SEAL KIT (39345) <i>for 50480</i>					
--	50480GT	VALVE,COUNTERBALANCE,3800 PSI*					
--	65789GT	SEAL KIT (54994) <i>for 54994</i>					
21	233715GT	ROTATOR,PLAT,Z45J/Z51J.....1 <i>includes items 6 and 22 (from SN Z4525A-43878 and from Z4525B-2432)</i>	1				
--	147369GT	SEAL AND BRG KIT,4.5K ROTATOR* <i>for 94401 (to SN Z4525A-43877 and to Z4525B-2431)</i>					
--	233745GT	SEAL AND BRG KIT,4.5K ROTATOR <i>for 233715 (from SN Z4525A-43878 and from Z4525B-2432)</i>					
22	30222GT	BEARING,FL,1.25IDX1.41ODX1.50L....4	4				
23		Ref. Counterbalance Manifold (refer to 703.1)					
24	8915GT	SCREW,HHC,1/4-20 X 1.25					
25	6356GT	WASHER,LOCK,.25					
26	81175GT	PIN,1.25DIAX14.45LG,2HOLE.....2	2				

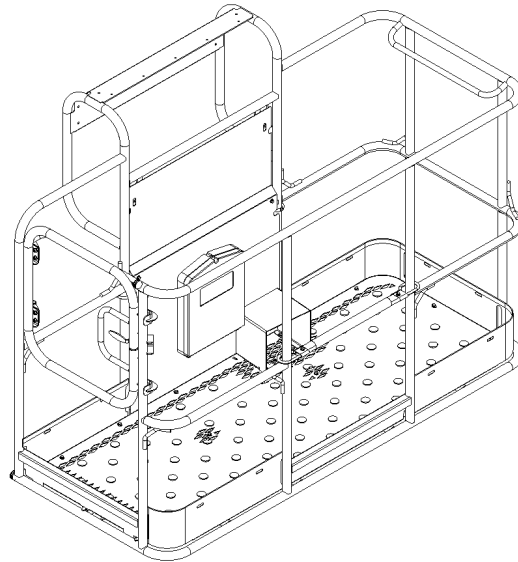
508.1 Platform Rotation and Support, Z-45/25J



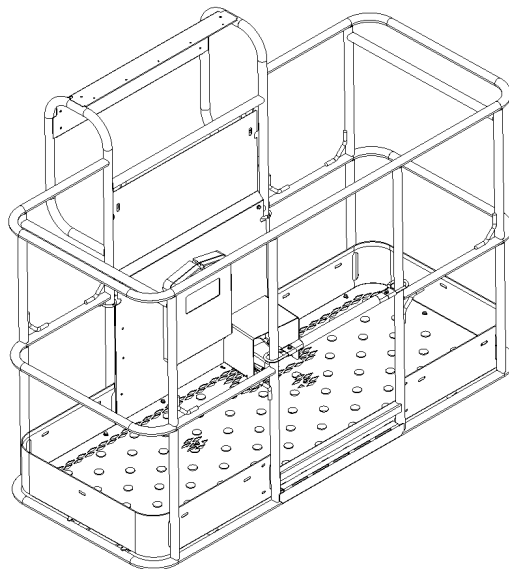
508.1 Platform Rotation and Support, Z-45/25J

Item	Part No.	Description	Qty.
1	6091GT	NUT,NYLOCK,1/4-20	
2	6638GT	WASHER,FLAT,USS,1/4"Y	
3	36294GT	SCREW,HHC,1/4-20 X 2.75	
4	13000GT	SCREW,HHC,5/16-18 X 1.25.....4	
5	77181GT	CLAMP,1.63,#26 X 3/8,RUB CUSH.....1	
6	5397GT	WASHER,FLAT,USS,5/16",Y	
7	6782GT	NUT,NYLOCK,5/16-18	
8	106163GT	FORMING,CABLE GUIDE.....1 <i>order 55067 grommet separately</i>	
--	55067GT	GROMMET,RUBBER 3 X .19 X 3.5.....2	
9	110671GT	PLATE,JIB,ROTATE MANIFOLD.....1	
10	6090GT	SCREW,HHC,1/4-20 X .75	
11	6356GT	WASHER,LOCK,.25	
12	94195GT	SCREW,HHC,3/8-16 X .75,GR 8.....6	
13	54510-SGT	WELDMENT,PLATFORM SUPPORT <i>for models with the Platform Overload option, refer to 907.1</i>	
14	56925GT	SCREW,HHC,3/4-10 X 9.5 GR 8 YE.....1	
15	33278GT	WASHER,FLAT,.75 HARDENED	
16	77051GT	NUT,NYLOCK,3/4-10,GRD.8.....1	
17		Ref. Jib Manifold <i>Refer to 704.1</i>	
18A		ROTATOR,PLAT,JIB (94401).....1 <i>to SN A43877, to SN B2431; for replacement, refer to 233715 below</i>	
--	147369GT	SEAL AND BRG KIT,4.5K ROTATOR* <i>for 94401</i>	
18B	233715GT	ROTATOR,PLAT,Z45J/Z51J <i>from SN A43878</i>	
--	233745GT	SEAL AND BRG KIT,4.5K ROTATOR <i>for 233715</i>	
--	30222GT	BEARING,FL,1.25IDX1.41ODX1.50L.....4 <i>for 94401, 233715</i>	
--	88516GT	SCREW,BLEEDER,M5X0.8.....2 <i>for 94401, 233715</i>	

601.1 Platform Configuration



(1) Side Swing Gate Platform

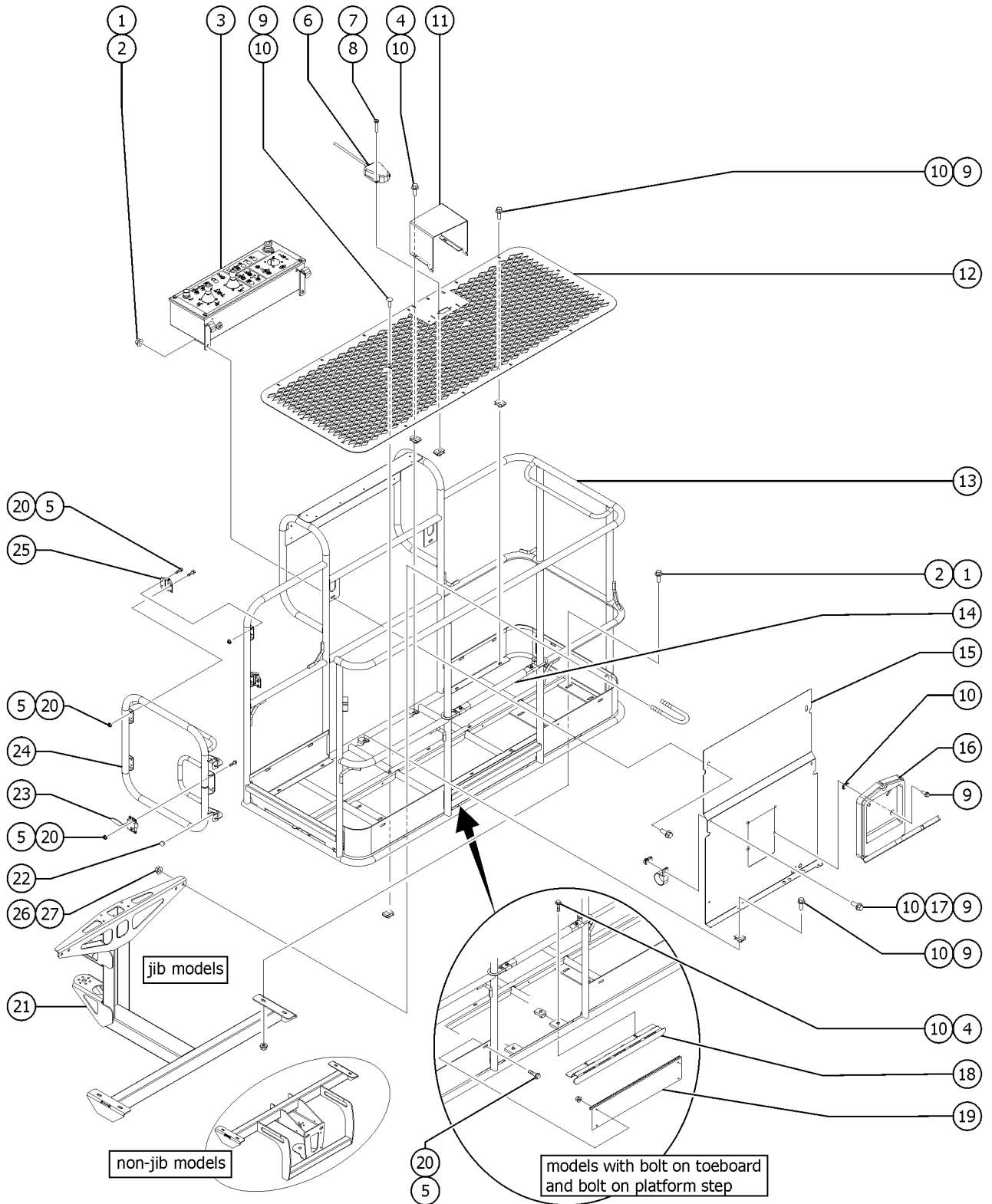


(2) Front Single Entry Platform

601.1 Platform Configuration

Item	Part No.	Description	Qty.
A		<i>Complete Platform Assemblies with Decals</i>	
--			
--	1275395GT	PLAT ASSY,6' W/SIDE GATE,Z45/51 CE <i>European models</i>	
--	1275396GT	PLAT ASSY,6' W/SIDE GATE,Z45/51 ANSI SYM <i>Asia/South America models</i>	
--	1275398GT	PLAT ASSY,6' W/SIDE GATE,Z45IC/Z51 ANSI WORD <i>USA and Canadian models</i>	
--	1275399GT	PLAT ASSY,6' W/SIDE GATE,Z45IC/Z51 AUS <i>Australian models (to SN a-405549)(from SN B-101 to B-1725)</i>	
--	1275400GT	PLAT ASSY,6' W/SIDE GATE,Z45IC/Z51 AUS <i>Australian models (from SN a-40560 to A-47000)(from SN B-101 to B-1725)</i>	
B		<i>Complete Platform Assemblies and Platform Weldments without Decals (Warning tape & decals not included, refer to section 100 for decals)</i>	
--			
1A	1272303GT	ASSY,6FT PLAT DUAL LG,BLANK W/SIDE SWING GATE	
--	1274858GT	ASSY,6' PLAT WELDMENT W/SIDE GATE <i>flooring and decal plate not included</i>	
2A	161541GT	ASSY,4FT PLATFORM, NO DECALS <i>Single entry</i>	
--	60042GT	WELDMENT,4 FT PLATFORM <i>flooring and decal plate not included</i>	
2B	161542GT	ASSY,5FT PLATFORM, NO DECALS <i>Single entry</i>	
--	50294GT	WELDMENT,5 FT PLATFORM <i>flooring and decal plate not included</i>	
2C	160809GT	ASSY,6FT PLATFORM,NO DECALS <i>Single entry</i>	
--	73900GT	WELDMNT,6 FT PLATFORM <i>flooring and decal plate not included</i>	

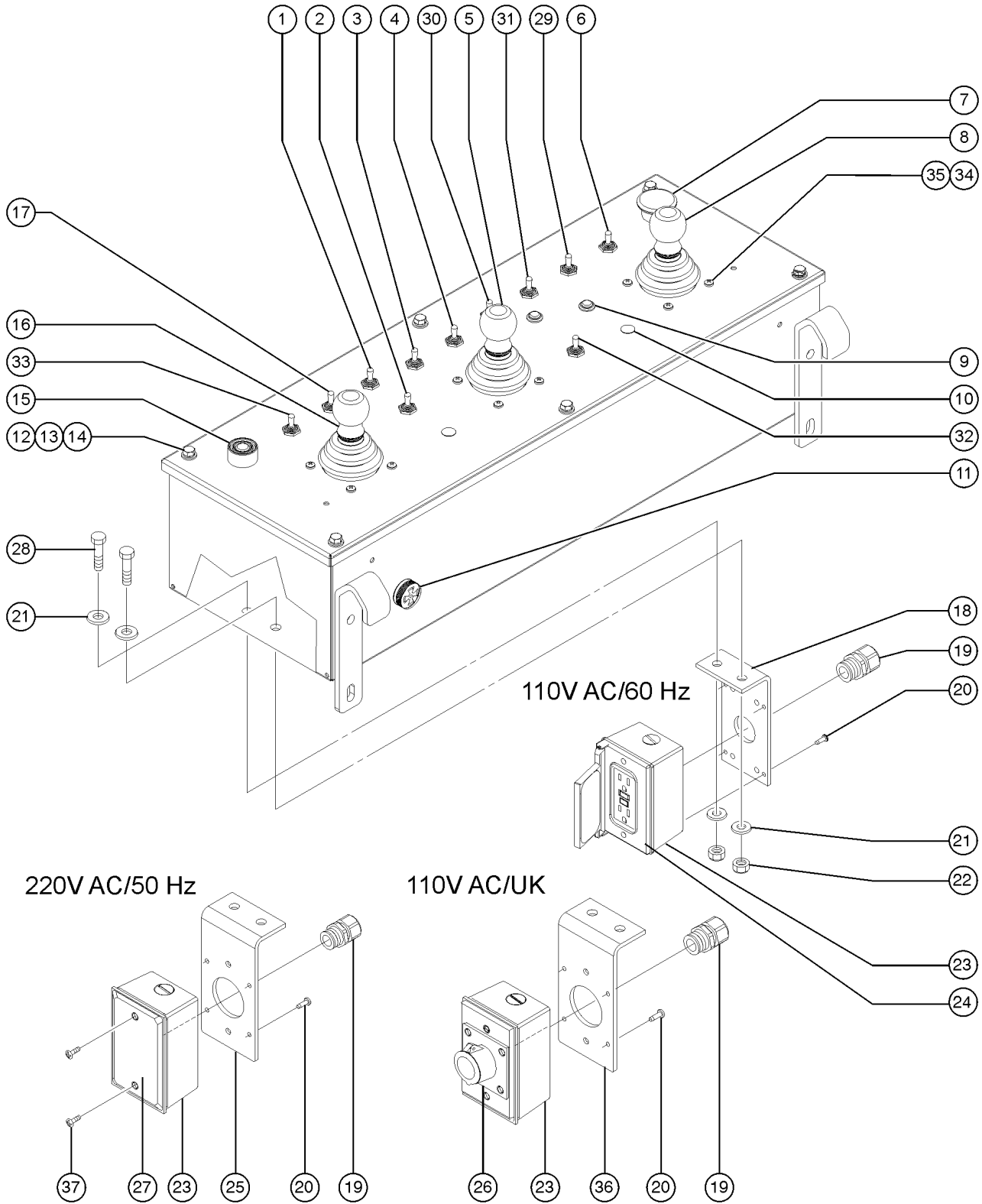
602.1 Platform Components



602.1 Platform Components

Item	Part No.	Description	Qty.	Item	Part No.	Description	Qty.
1	824029GT	NUT,TL FLG,3/8-16,G,ZAG		22	43392GT	BUMPER,BATTERY BOX & RAILS.....	2
2	824090GT	SCREW,HHF,3/8-16X1,8,ZAG		23	1267747GT	LATCH, SWING GATE.....	1
3		Ref. Platform Control Box (refer to 603.1 and 604.1)		24	1272307GT	ASSY,SIDE SWING GATE.....	1
4	824079GT	SCREW,HHF,1/4-20X1,8,ZAG		25	104804GT	HINGE, SPRING, LONG LEG.....	2
5	824027GT	NUT,TL FLG,1/4-20,G,ZAG		26	824029GT	NUT,TL FLG,3/8-16,G,ZAG	
6	73233GT	ASSEMBLY,FOOT SWITCH***.....1 (to SN Z4512A-41836, to SN Z4512B-2061)	1	27	1251600GT	U-BOLT, FLATTENED, 1.5 X 3/8 UNC,ZAG.....	2
--	119058GT	CONN PLUG 4 WAY ENDCAP DT for PN 73233					
--	20262GT	MICROSWITCH,13482 FOOTSWITCH for PN 73233					
--	43960GT	WIRE CABLE,16/4 CON.TPE JKT.....66-inches for PN 73233					
--	73739GT	BOOT,PLUG 4 WAY for PN 73233					
7	1256460GT	SCREW,PHPM,10-24X1,ZAG.....	2				
8	73575GT	SPRING CLIP,10-24,.025-.125X.468,ZAG.....	2				
9	824078GT	SCREW,HHF,1/4-20X.75,8,ZAG					
10	56912GT	SPRING CLIP,1/4-20,.025-.15X.54,ZAG					
11	147121GT	COVER, FOOT SWITCH, LARGE.....	1				
12A	1267746GT	FLOORING, 6FT PLAT,SIDE.....	1				
12B	73477PGT	FLOORING, 6'FT PLATFORM.....1 (for single entry)	1				
12C	54247PGT	FLOORING,5 FT PLATFORM,PAINTED.....	1				
12D	60160PGT	FLOORING, 4 FT PLATFORM,PAINTED.....	1				
13		Ref. Platform Weldment.....1 (refer to 601.1)	1				
14	102992GT	SLIDING MIDRAIL KIT,PTD.....1 (includes fasteners)	1				
15	73574-SGT	DECAL PLATE ASSEMBLY.....1 (decals not included, refer to section 100)	1				
16	24514GT	BOX,INSTRUCTION STORAGE.....1 (decals not included, refer to section 100)	1				
17	56424GT	CLAMP,1.25X.5 RUBBER-CUSHION.....	2				
18	73610PGT	STEP PLATFORM ENTRY PAINTED***.....	1				
19	94745GT	TOEBOARD,ENTRY EUROPEAN PNTD**.....	1				
20	1256855GT	SCREW,HHF,1/4-20X.625,8,ZAG					
21A		Ref. Platform Support, non-jib.....1 (refer to 506.1)	1				
21B		Ref. Platform Support, jib.....1 (refer to 508.1)	1				

603.1 Platform Control Box - View 1



603.1 Platform Control Box - View 1

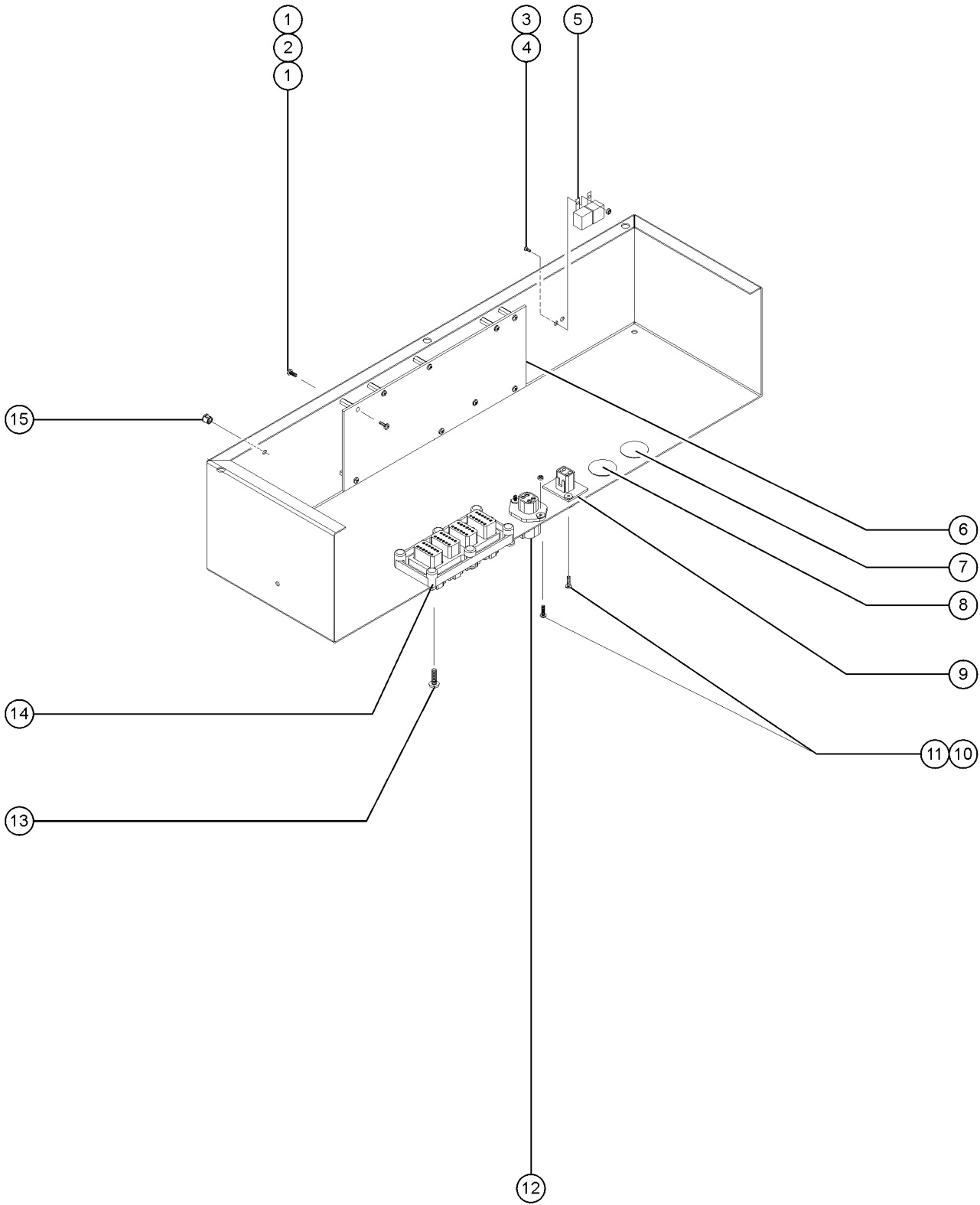
Item	Part No.	Description	Qty.	Item	Part No.	Description	Qty.
--	110388GT	PLAT. CONTROL BOX W/DECAL***		6D	128584-SGT	SWITCH TOGGLE SPDT 2P MNT SHDR	
--	122125GT	ADAPTER CABLE, JS100 JOYSTICK.....1 <i>required for new (Deutsch) style joysticks only</i>		--	128578GT	SCREW T-SWITCH PH/PH 6-32X1/4	
--	81488GT	GASKET,PLATFORM CONTROL BOX		--	27246GT	BOOT,TOGGLE SWITCH,SHORT*	
--	T108153GT	HARNESS KIT,Z45/51 PLAT BOX <i>includes three adapter cables</i>		7	66812GT	BUTTON,PUSH,RED MUSHROOM HEAD.....1	
1A	45384GT	PLUG,NYLON .50 BLACK DOMED <i>(Z-45/25) from SN 34011 to 41670</i>		--	146478GT	BOOT(BELLOWS),E-STOP,BLACK <i>(from SN 39986)</i>	
1B	229567GT	PLUG,SANTOPRENE .5 BLACK DOME <i>(Z-45/25) from SN 41671</i>		--	66818GT	CONTACT, N.C.	
1C	128200GT	SWITCH TOGGLE ASSY SPDT 3P MOM.....1 <i>Jib Boom (Z-45/25J); includes boot and hardware</i>		--	94506GT	BASE,W/3 NC CONTACTS.....1 <i>includes 3 N.C. contacts</i>	
--	128578GT	SCREW T-SWITCH PH/PH 6-32X1/4		8A		Ref. Joystick Controller, Multi-Axis (standard)	
--	27246GT	BOOT,TOGGLE SWITCH,SHORT*		8B		Ref. Joystick Controller, Single Axis, with thumb rocker switch (optional)	
1D	128580-SGT	SWITCH TOGGLE SPDT 3P MOM SHDR		9	824879GT	LIGHT,LED IND. RED 12V NH.....2	
--	128578GT	SCREW T-SWITCH PH/PH 6-32X1/4		10A	45384GT	PLUG,NYLON .50 BLACK DOMED.....2 <i>Gasoline/LPG models from SN 34011 to 41670</i>	
--	27246GT	BOOT,TOGGLE SWITCH,SHORT*		10B	229567GT	PLUG,SANTOPRENE .5 BLACK DOME <i>Gasoline/LPG models from SN 41671</i>	
2A	128200GT	SWITCH TOGGLE ASSY SPDT 3P MOM.....1 <i>Primary Boom Ext/Ret; includes boot and hardware</i>		10C	824879GT	LIGHT,LED IND. RED 12V NH.....1 <i>Diesel models</i>	
2B	128580-SGT	SWITCH TOGGLE SPDT 3P MOM SHDR		--	56848GT	WASHER,LOCK,IND,LAMP RETAINER	
--	128578GT	SCREW T-SWITCH PH/PH 6-32X1/4		11	45383GT	ALARM,WARBLE TONE 5-30 VDC***.....1 <i>Does not include 72326 nut</i>	
--	27246GT	BOOT,TOGGLE SWITCH,SHORT*		--	72326GT	NUT - PLASTIC,RING FOR ALARMS	
3A	128201GT	SWITCH TOGGLE ASSY DPDT 2P MOM.....1 <i>Auxiliary Power; includes boot and hardware</i>		12	8914GT	SCREW,HHC,1/4-20 X .625	
3B	128581-SGT	SWITCH TOGGLE DPDT 2P MOM SHDR		13	6356GT	WASHER,LOCK,.25	
--	128578GT	SCREW T-SWITCH PH/PH 6-32X1/4		14	6638GT	WASHER,FLAT,USS,1/4"Y	
--	27246GT	BOOT,TOGGLE SWITCH,SHORT*		15	66813GT	BUTTON,PUSH,BLACK W/SEAL***.....1	
4A	128204GT	SWITCH TOGGLE ASSY SPDT 2P MNT.....1 <i>Drive Speed; includes boot and hardware</i>		--	66815GT	BASE, W/1 N.O. CONTACTS*** <i>includes 1 N.O. contact</i>	
4B	128584-SGT	SWITCH TOGGLE SPDT 2P MNT SHDR		--	66816GT	CONTACT,N.O.***	
--	128578GT	SCREW T-SWITCH PH/PH 6-32X1/4		16		Ref. Joystick Controller, Multi-Axis <i>(refer to 604.1 and 604.2)</i>	
--	27246GT	BOOT,TOGGLE SWITCH,SHORT*		17A	128202GT	SWITCH TOGGLE ASSY DPDT 3P MOM.....1 <i>Platform Rotate; includes boot and hardware</i>	
5		Ref. Joystick Controller, Single Axis <i>(refer to 604.1 and 604.2)</i>		17B	128582-SGT	SWITCH TOGGLE DPDT 3P MOM SHDR	
6A	45384GT	PLUG,NYLON .50 BLACK DOMED.....1 <i>Diesel models from SN 34011 to 41670</i>		--	128578GT	SCREW T-SWITCH PH/PH 6-32X1/4	
6B	229567GT	PLUG,SANTOPRENE .5 BLACK DOME <i>Diesel models from SN 41671</i>		--	27246GT	BOOT,TOGGLE SWITCH,SHORT*	
6C	128204GT	SWITCH TOGGLE ASSY SPDT 2P MNT.....1 <i>Fuel Select (Gasoline/LPG models); includes boot and hardware</i>		18	81096GT	BRACKET,POWER TO PLAT, DOM.....1	
				19	7056GT	CONN,SQUEEZE,1/2NPT .38-.50,SM....2	
				--	6935GT	LOCKNUT,ELEC,1/2"	
				20A	57075GT	SCREW,PHIL,8-32X.50,SELF TAP	
				21	5397GT	WASHER,FLAT,USS,5/16",Y	
				22	4828GT	NUT,NYLOCK,3/8-16	

603.1 Platform Control Box - View 1
(continued)

Item	Part No.	Description	Qty.	Item	Part No.	Description	Qty.
23	10775GT	T-BOX,2.75 X 4.5 X 2.0.....1		--	27246GT	BOOT,TOGGLE SWITCH,SHORT*	
24	74006GT	COVER,GFCI,HORIZONTAL,WEATHER.1		33A	128200GT	SWITCH TOGGLE ASSY SPDT 3P MOM.....1 <i>Platform Level; includes boot and hardware</i>	
--	13585GT	OUTLET, 110V <i>USA/Canada</i>		33B	128580-SGT	SWITCH TOGGLE SPDT 3P MOM SHDR	
--	80543GT	RECEPTACLE, 120VAC, 20A, GFCI <i>USA/Canada</i>		--	128578GT	SCREW T-SWITCH PH/PH 6-32X1/4	
25	81096GT	BRACKET,POWER TO PLAT, DOM.....1		--	27246GT	BOOT,TOGGLE SWITCH,SHORT*	
26A	T112563GT	SVC KIT,UK RECEPT.REPLACEMENT.....1 <i>(Europe) to SN 43389 (need for first time replacement)</i>		34A	62385GT	SCREW,PHM,M5X.8X10MM SELF TAP <i>to SN Z452508A-37951; to SN Z452508B-1415</i>	
--	57075GT	SCREW,PHIL,8-32X.50,SELF TAP.....4 <i>for 67506</i>		34B	139338GT	SCREW PH M5-0.8X20 DIN 7500CE <i>from SN Z452508A-37952; from SN Z452508B-1416</i>	
--	63375GT	SCREW,FHM,6-32 X .75.....2 <i>for T112561</i>		35A	6178GT	NUT,NYLOCK,10-32 <i>to SN Z452508A-37951; to SN Z452508B-1415</i>	
--	74052GT	GASKET,COVER,GFCI,WEATHERPROOF		35B	104030GT	NUT HEX M5-0.8 CLASS 8 ZINC <i>from SN Z452508A-37952; from SN Z452508B-1416</i>	
--	T112560GT	RECEPTACLE,UK,110V.....1		36A	81570GT	BRACKET,POWER TO PLAT, UK.....1 <i>to SN Z452508A-37127; to SN Z452508B-1483</i>	
--	T112561GT	PLATE,UK,POWER TO PLAT		36B	81096GT	BRACKET,POWER TO PLAT, DOM. <i>from SN Z452508A-37128; from SN Z452508B-1484</i>	
26B	T112560GT	RECEPTACLE,UK,110V.....1 <i>from SN 43390</i>		37	49820GT	SCREW,PHILLIPS,PHM,6-32 X .5.....2	
27	10777GT	COVER,BLANK.....1					
--	81458GT	GASKET, UK POWER TO PLAT					
28	6019GT	SCREW,HHC,3/8-16 X 1.25 GRD 5					
29A	128204GT	SWITCH TOGGLE ASSY SPDT 2P MNT <i>Fuel Select (Gasoline/LPG models); includes boot and hardware</i>					
29B	128584-SGT	SWITCH TOGGLE SPDT 2P MNT SHDR					
--	128578GT	SCREW T-SWITCH PH/PH 6-32X1/4					
--	27246GT	BOOT,TOGGLE SWITCH,SHORT*					
30A	128200GT	SWITCH TOGGLE ASSY SPDT 3P MOM.....1 <i>Glow Plug; includes boot and hardware</i>					
--	128578GT	SCREW T-SWITCH PH/PH 6-32X1/4					
30B	128580-SGT	SWITCH TOGGLE SPDT 3P MOM SHDR					
--	128580-SGT	SWITCH TOGGLE SPDT 3P MOM SHDR					
--	27246GT	BOOT,TOGGLE SWITCH,SHORT*					
31A	128200GT	SWITCH TOGGLE ASSY SPDT 3P MOM.....1 <i>Engine Start; includes boot and hardware</i>					
--	128578GT	SCREW T-SWITCH PH/PH 6-32X1/4					
--	27246GT	BOOT,TOGGLE SWITCH,SHORT*					
31B	128580-SGT	SWITCH TOGGLE SPDT 3P MOM SHDR					
--	128578GT	SCREW T-SWITCH PH/PH 6-32X1/4					
--	27246GT	BOOT,TOGGLE SWITCH,SHORT*					
32A	128200GT	SWITCH TOGGLE ASSY SPDT 3P MOM.....1 <i>Drive Enable; includes boot and hardware</i>					
32B	128580-SGT	SWITCH TOGGLE SPDT 3P MOM SHDR					
--	128578GT	SCREW T-SWITCH PH/PH 6-32X1/4					

This Page Intentionally Left Blank

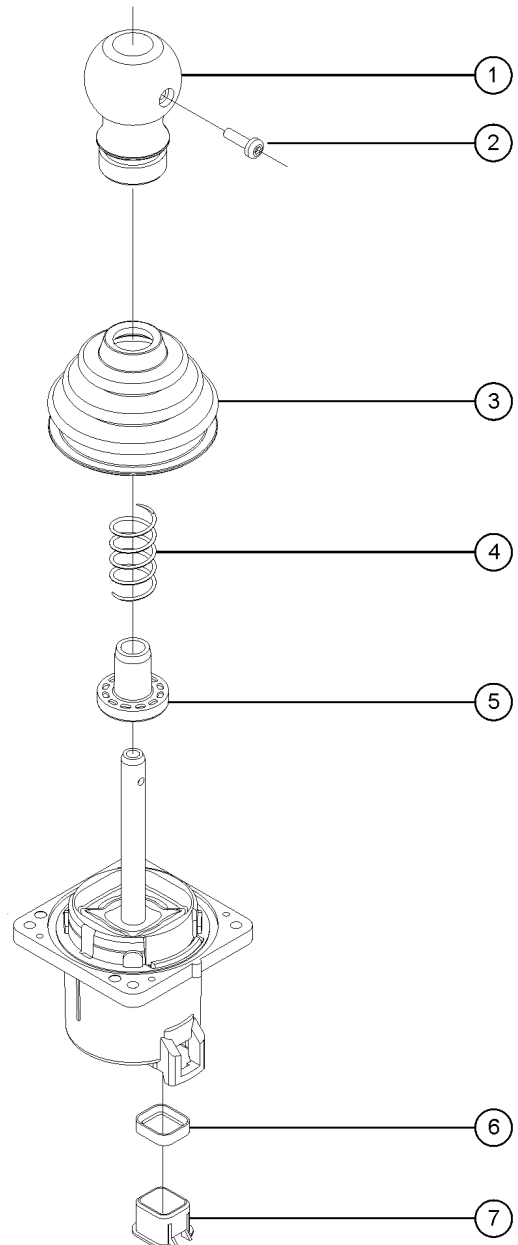
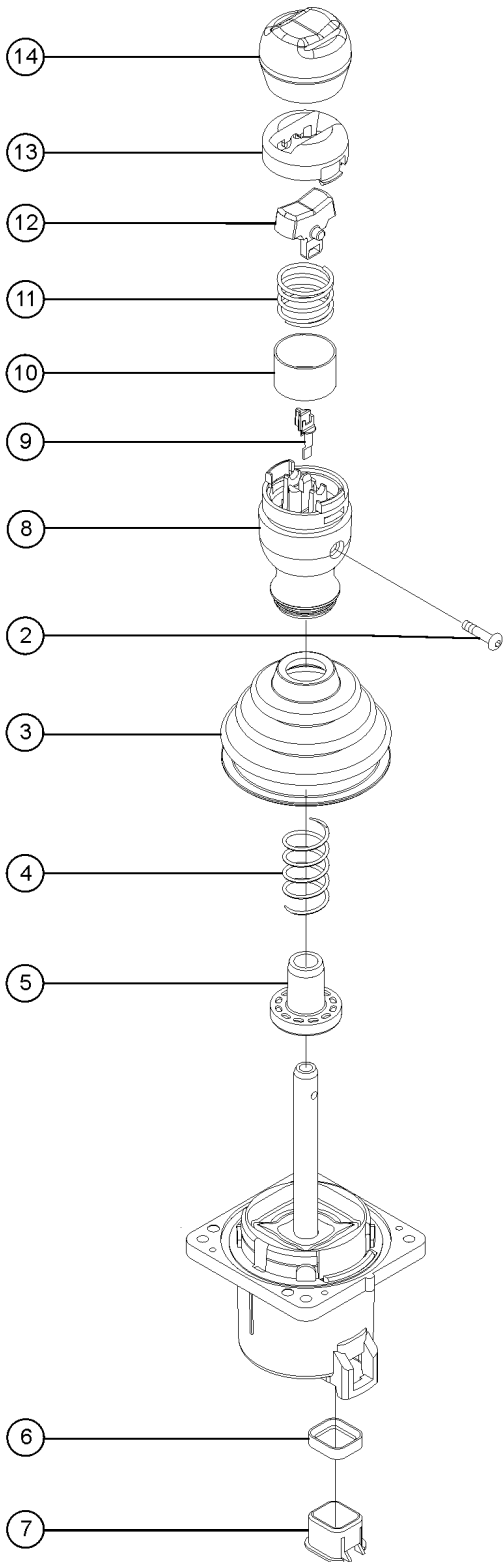
604.1 Platform Control Box - View 2



604.1 Platform Control Box - View 2

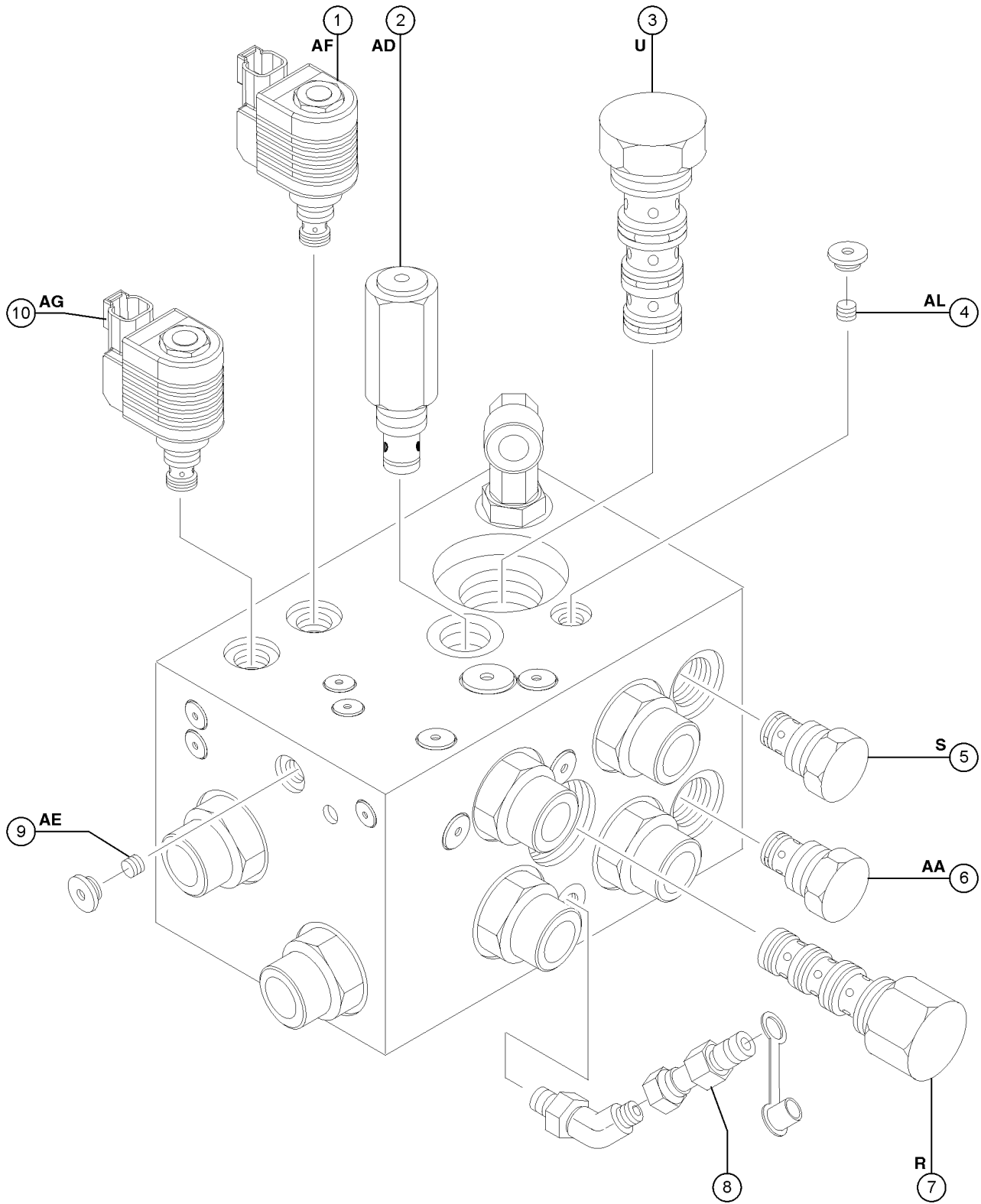
Item	Part No.	Description	Qty.	Item	Part No.	Description	Qty.
--	121847GT	RELAY,TIME DELAY,2 SEC,30A <i>from SN 10A-39314, 10B-1488</i>		8B	7056GT	CONN,SQUEEZE,1/2NPT .38-.50,SM	
--	128045GT	MODULE,LOAD SENSE 2007		--	101080GT	HARNESS,JIB SELECT MANIFOLD <i>includes squeeze connector and locknut</i>	
--	77351GT	LANYARD,PLATFORM CONTROL BOX		--	6935GT	LOCKNUT,ELEC,1/2"	
--	81487PGT	PLATFORM CONTROL BOX,PAINTED		9	73723GT	CONN RECEPT,FLANGED.....1	
--	81488GT	GASKET,PLATFORM CONTROL BOX		--	54259GT	TERM,NI PIN, 14-16GA,BULK	
1	81551GT	SCREW,PHIL,PHM,6-32 X 1/4 SS		--	60443GT	LOCK,RECEP 4 WAY,14-18GA	
2	81550GT	STANDOFF,6-32 X 3/8L X 1/4 HEX		--	73233GT	ASSEMBLY,FOOT SWITCH***	
3	54365GT	SCREW,PHIL,PHM,10-32 X .5,SSTL <i>European models</i>		10	49820GT	SCREW,PHILLIPS,PHM,6-32 X .5	
4	6178GT	NUT,NYLOCK,10-32 <i>European models</i>		11	12344GT	NUT,NYLOCK,6-32	
5	19274GT	RELAY,SPDT,12V(AUTO)**.....2 <i>European models</i>		12	73717GT	CONN,RECEP 4 WAY,12-14GA FL***.....1	
6A	235473GT	ASSY,PCB ALC500 GENII Z45 V201 <i>(from SN 22051) (machine model and serial number required when ordering)</i>		--	60526GT	LOCK,RECEP 4 WAY,12-14GA	
--	56029GT	CONNECTOR,MOLEX 24-WAY**		--	73711GT	TERM,DEUTSCH, PIN #12-14	
--	56030GT	TERMINAL,MOLEX 16 GAUGE***		--	88723-71000GT	HARNESS,12/3,12V TO PLAT Z-45/25J	
--	56561GT	TOOL,TERMINAL CRIMPER,MOLEX***		--	88723-72700GT	HARNESS,12/3,12V TO PLAT Z-45/25	
--	56562GT	TOOL,TERMINAL EXTRACTOR,MOLEX		13	73803GT	SCREW,SHM,PHP, #12 X .75	
--	114246GT	DECAL,OPTION CONTROL BOX HEATR.....1		14	73736GT	CONN,RECEP 48 WAY,4 X 12.....1	
--	119250GT	BRACKET,PLATFORM HEATER OPT.....1		--	54255GT	LOCK,RECEP 12 WAY, 14-18GA	
--	119534GT	STANDOFF,1/4X1/4 M-F 6-32 S/S.....5		--	73713GT	TERM,NI PIN,S&F,16-18GA,REEL	
--	119560GT	WIRING KIT,CONTROL BOX HEATER...1		--	88721-72000GT	HARNESS,18/19 BOOM CABLE #1 Z-45/25	
--	119641GT	SWITCH,THERMOSTAT 85F OPEN.....1		--	88721-73000GT	HARNESS,18/19 BOOM CABLE #1 Z-45/25J	
--	128204GT	SWITCH TOGGLE ASSY SPDT 2P MNT.....1		--	88722-72000GT	HARNESS,18/19,BOOM CABLE #2 <i>jib models</i>	
--	147661GT	PLATE,PLAT HEAT,ALC500 GEN II.....1		--	88722-73000GT	HARNESS,18/19,BOOM CABLE #2 <i>non-jib</i>	
--	218180GT	HARNESS,CONTROL BOX HEATER.....1		15	30996GT	PLUG,NYLON .313 BLACK DOMED.....2	
--	27287GT	RESISTOR,10 OHM,25 WATT.....2 <i>for 119560</i>					
6C	T111107GT	ASSY,ALC500 BOARD HEATER <i>arctic option (from SN 10A-40341)</i>					
--	114246GT	DECAL,OPTION CONTROL BOX HEATR.....1					
--	119534GT	STANDOFF,1/4X1/4 M-F 6-32 S/S.....5					
--	119641GT	SWITCH,THERMOSTAT 85F OPEN.....1					
--	128204GT	SWITCH TOGGLE ASSY SPDT 2P MNT.....1					
--	147661GT	PLATE,PLAT HEAT,ALC500 GEN II.....1					
--	27287GT	RESISTOR,10 OHM,25 WATT.....2					
7	45385GT	PLUG,NYLON 1.12 BLACK DOMED.....1					
--	94549GT	SWITCH,LOAD LIMIT <i>European models</i>					
8A	45385GT	PLUG,NYLON 1.12 BLACK DOMED.....1 Z-45/25					

605.1 Joysticks



Item	Part No.	Description	Qty.
--	101174GT	JOYSTICK,2 AXIS,DEUTSCH <i>OEM joystick (calibration required after replacement)</i>	
--	101174HGT	JOYSTICK,DUAL AXIS W/KNOB <i>aftermarket joystick (calibration required after replacement)</i>	
--	101175GT	JOYSTICK,1 AXIS,DEUTSCH <i>OEM joystick (calibration required after replacement)</i>	
--	101175HGT	JOYSTICK,SINGLE AXIS W/KNOB <i>aftermarket joystick (calibration required after replacement)</i>	
--	101005GT	JOYSTICK,1 AXIS ROCKER,DEUTSCH <i>OEM joystick (calibration required after replacement)</i>	
--	101005HGT	JOYSTICK,SINGLE AXIS W/STEER <i>aftermarket joystick (calibration required after replacement)</i>	
--	83098GT	TERM,AMP MTE,SOC,22-26 GA BULK	
--	119613GT	HARN JOYSTICK ADAPTOR JS100 <i>6-pin to 7-pin adapter (for 101174, 101175, 101005)</i>	
Z	1269501GT	KIT, ISOLATION, 3 JOYSTICK	
1	62392GT	KNOB,JOYSTICK, 62390/62391.....	1
2	T112626GT	SCREW, PHM, #6-32 X .625 ZINC.....	1
3	139598GT	BOOT,JOYSTICK.....	1
4		SPRING,JOYSTK CENTR,62390/91..... <i>no longer available from supplier</i>	1
5	119915GT	COLLAR,JOYSTICK,CENTER.....	1
6	128000GT	SEAL, CONNECTOR (DT JOYSTICKS).....	1
7	128001GT	SLEEVE,CONNECTOR,DT JOYSTICKS.....	1
8	75449GT	KNOB,ROCKER JOYSTICK 75565.....	1
9	75448GT	SUPPORT,SENSOR,JOYSTICK.....	1
10	75447GT	SWITCH SHIELD,ROCK JOYSTK75565.....	1
11	75446GT	SPRING,SWITCH CENTERING,75565...1	
12	75445GT	ROCKER ASSY.,MAGNETIC 75565.....	1
13	75444GT	ROCKER,RETAINER, 75565.....	1
14	75443GT	BOOT, ROCKER JOYSTICK 75565.....	1

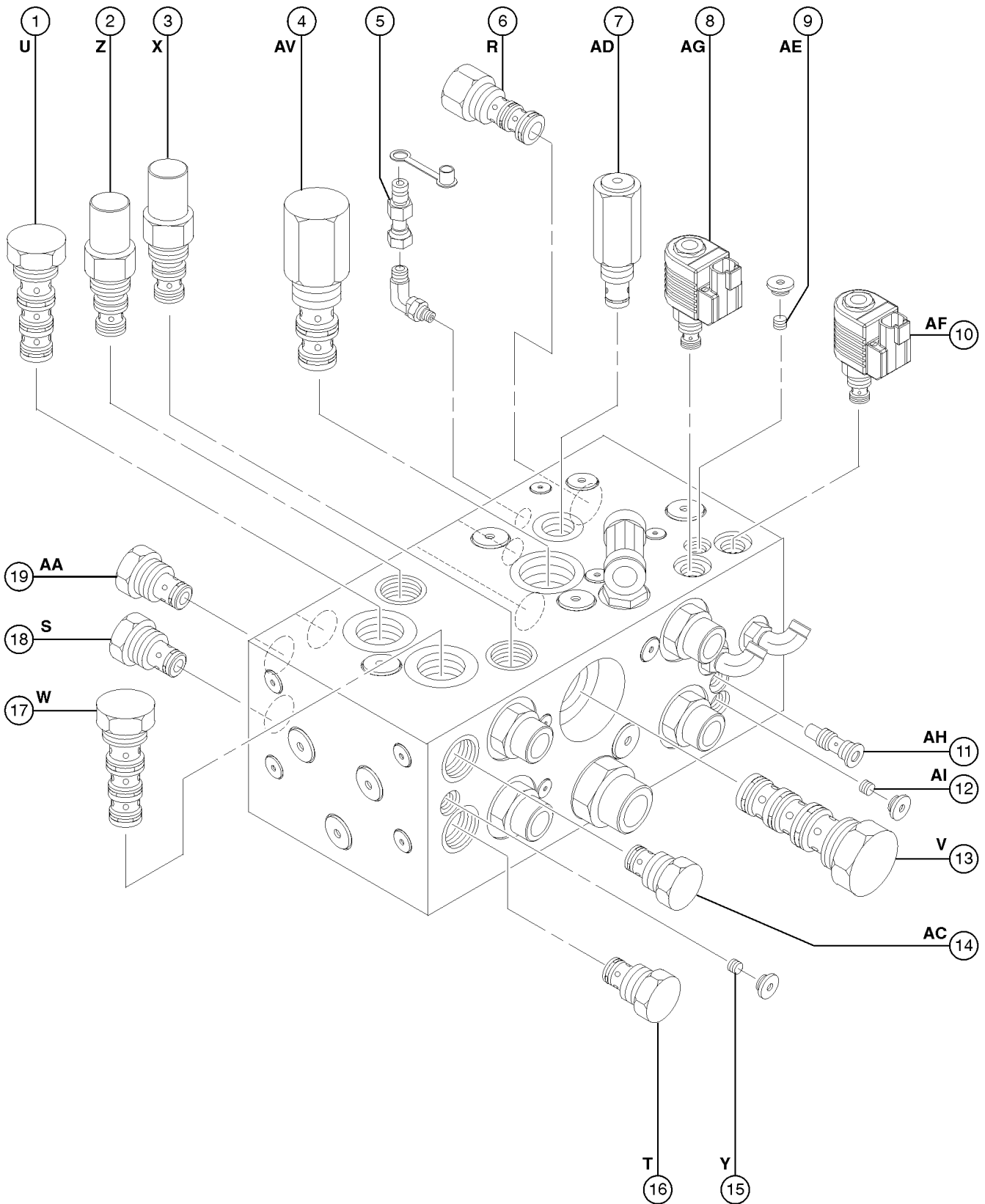
701.1 2WD Traction Manifold



701.1 2WD Traction Manifold

Item	Part No.	Description	Qty.
--	101590GT	MANIFOLD,2WD TRACT W/O FIT***	
--	49612GT	O-RING KIT (ORFS FITTINGS)	
--	49613GT	PLUG AND CAP KIT-SERVICE,ORFS*	
1	62263GT	VALVE,SOLENOID, 2 POS, 3 WAY <i>AF, Brake circuit</i>	
--	52943GT	NUT,SOLENOID VALVE COIL	
--	62273GT	COIL,GREEN W/ 2 PIN CONNECTOR*	
--	72043GT	SEAL KIT,SOLENOID VALVE	
2	31406GT	VALVE,RELIEF 250 PSI*** <i>AD, Charge pressure circuit</i>	
--	110194GT	SEAL KIT, VALVE, #10	
3	52726GT	VALVE,FLOW DIVIDER/COMBINER <i>U, Controls flow to non-steer end drive motors in forward and reverse</i>	
--	84135GT	SEAL KIT, VALVE	
4	77163GT	PLUG-ORIFICE,0.067 INCH <i>AL, Equalizes pressure on both sides of flow divider/combiner valve U</i>	
5	27836GT	VALVE,CHECK,5 PSI <i>S, Drive circuit</i>	
6	27836GT	VALVE,CHECK,5 PSI <i>AA, Drive circuit</i>	
7	54572GT	VALVE <i>R, Charge pressure circuit that directs hot oil out of low pressure side of drive pump and allows low pressure flow path for brake release and 2-speed motor shift</i>	
--	84134GT	SEAL KIT, VALVE	
8	49207GT	NIPPLE,DIAGNOSTIC,ORFS,FM,SWIV <i>Testing</i>	
--	20224GT	DIAGNOSTIC FEMALE Q-DSCNT	
9	77162GT	PLUG-ORIFICE 0.031 INCH <i>AE, Brake and 2-speed circuit</i>	
10	62263GT	VALVE,SOLENOID, 2 POS, 3 WAY <i>AG 2-speed motor shift</i>	
--	52943GT	NUT,SOLENOID VALVE COIL	
--	62273GT	COIL,GREEN W/ 2 PIN CONNECTOR*	
--	72043GT	SEAL KIT,SOLENOID VALVE	

702.1 4WD Traction Manifold



702.1 4WD Traction Manifold

Item	Part No.	Description	Qty.	Item	Part No.	Description	Qty.
--		Ref. MANIFOLD,4WD <i>(101589 was replaced by 139391, the old valves are still available and listed below) (to SN Z452510A-39750 and to SN Z452511B-1606)</i>		3B	139514GT	VALVE,PRES CMP/FLW CTRL,1.0GPM.....1 <i>X, Steer end drive motor circuit (for manifold 139391, from SN Z452510A-39751 and from SN Z452511B-1607)</i>	1
--	139391GT	MANIFOLD ASSY, Z45/Z51 4WD <i>(from SN Z452510A-39751 and from SN Z452511B-1607)</i>		--	139515GT	SEAL KIT, VALVE <i>(for manifold 139391, from SN Z452510A-39751 and from SN Z452511B-1607)</i>	
--	49612GT	O-RING KIT (ORFS FITTINGS)		4A	52720GT	VALVE-DIRECT. CONTRL-2POS. 2WA.....1 <i>AE, 2 speed motor shift circuit/High speed bypass (for manifold 101589, to SN Z452510A-39750 and to SN Z452511B-1606)</i>	1
--	49613GT	PLUG AND CAP KIT-SERVICE,ORFS*		--	84135GT	SEAL KIT, VALVE <i>(for manifold 101589, to SN Z452510A-39750 and to SN Z452511B-1606)</i>	
1A	52726GT	VALVE,FLOW DIVIDER/COMBINER.....1 <i>AB, Controls flow to non-steer end drive motors in forward and reverse (for manifold 101589, to SN Z452510A-39750 and to SN Z452511B-1606)</i>		4B	139509GT	VALVE, DIRECTION CONTROL, 2X2.....1 <i>AV, 2 speed motor shift circuit/High speed bypass (for manifold 139391, from SN Z452510A-39751 and from SN Z452511B-1607)</i>	1
--	84135GT	SEAL KIT, VALVE <i>(for manifold 101589, to SN Z452510A-39750 and to SN Z452511B-1606)</i>		--	139512GT	SEAL KIT, VALVE <i>(for manifold 139391, from SN Z452510A-39751 and from SN Z452511B-1607)</i>	
1B	139508GT	VALVE, FLOW DIVIDE/COMBINE 1:1.....1 <i>U, Controls flow to non-steer end drive motors in forward and reverse (for manifold 139391, from SN Z452510A-39751 and from SN Z452511B-1607)</i>		5A	49207GT	NIPPLE,DIAGNOSTIC,ORFS,FM,SWIV..1 <i>Testing, (for manifold 101589, to SN Z452510A-39750 and to SN Z452511B-1606)</i>	1
--	139512GT	SEAL KIT, VALVE <i>(for manifold 139391, from SN Z452510A-39751 and from SN Z452511B-1607)</i>		5B	20224GT	DIAGNOSTIC FEMALE Q-DSCNT.....1 <i>Testing, (for manifold 139391, from SN Z452510A-39751 and from SN Z452511B-1607)</i>	1
2A	52723GT	VALVE-FLOW REGULATOR 2 GPM.....1 <i>AC, Non-steer end drive motor circuit (for manifold 101589, to SN Z452510A-39750 and to SN Z452511B-1606)</i>		6A	54572GT	VALVE.....1 <i>AG, Charge pressure circuit that directs hot oil out of low pressure side of drive pump and allows low pressure flow path for brake release and 2-speed motor shift (for manifold 101589, to SN Z452510A-39750 and to SN Z452511B-1606)</i>	1
--	89310GT	SEAL KIT, SOLENOID VALVE <i>(for manifold 101589, to SN Z452510A-39750 and from SN Z452511B-1606)</i>		--	84134GT	SEAL KIT, VALVE <i>(for manifold 101589, to SN Z452510A-39750 and to SN Z452511B-1606)</i>	
2B	139513GT	VALVE,PRES CMP/FLW CTRL,2.6GPM.....1 <i>Z, Non-steer end drive motor circuit (for manifold 139391, from SN Z452510A-39751 and from SN Z452511B-1607)</i>		6B	139510GT	VALVE, SHUTTLE, 3X3.....1 <i>R, Charge pressure circuit that directs hot oil out of low pressure side of drive pump and allows low pressure flow path for brake release and 2-speed motor shift (for manifold 139391, from SN Z452510A-39751 and from SN Z452511B-1607)</i>	1
--	139515GT	SEAL KIT, VALVE <i>(for manifold 139391, from SN Z452510A-39751 and from SN Z452511B-1607)</i>					
3A	54815GT	VALVE-FLOW REGULATOR 1.0GPM.....1 <i>AD, Steer end drive motor circuit (for manifold 101589, to SN Z452510A-39750 and to SN Z452511B-1606)</i>					
--	89310GT	SEAL KIT, SOLENOID VALVE <i>(for manifold 101589, to SN Z452510A-39750 and to SN Z452511B-1606)</i>					



702.1 4WD Traction Manifold
(continued)

Item	Part No.	Description	Qty.	Item	Part No.	Description	Qty.
--	139512GT	SEAL KIT, VALVE (for manifold 139391, from SN Z452510A-39751 and from SN Z452511B-1607)		9B	139522GT	ORIFICE, 0.030".....1 AE, Brake and 2-speed circuit (for manifold 139391, from SN Z452510A-39751 and to SN Z452511B-1607)	
7A	31406GT	VALVE,RELIEF 250 PSI***.....1 AH, Charge pressure circuit (for manifold 101589, to SN Z452510A-39750 and to SN Z452511B-1606)		10A	62263GT	VALVE,SOLENOID, 2 POS, 3 WAY.....1 AK, Brake circuit (for manifold 101589, to SN Z452510A-39750 and to SN Z452511B-1606)	
--	110194GT	SEAL KIT, VALVE, #10 (for manifold 101589, to SN Z452510A-39750 and to SN Z452511B-1606)		--	52943GT	NUT,SOLENOID VALVE COIL (for manifold 101589, to SN Z452510A-39750 and to SN Z452511B-1606)	
7B	139516GT	VALVE, RELIEF, 250PSI.....1 AD, Charge pressure circuit (for manifold 139391, from SN Z452510A-39751 and from SN Z452510B-1607)		--	62273GT	COIL, GREEN W/ 2 PIN CONNECTOR* (for manifold 101589, to SN Z452510A-39750 and to SN Z452511B-1606)	
--	139517GT	SEAL KIT, VALVE (for manifold 139391, from SN Z452510A-39751 and from SN Z452511B-1607)		--	72043GT	SEAL KIT,SOLENOID VALVE (for manifold 101589, to SN Z452510A-39750 and to SN Z452511B-1606)	
8A	62263GT	VALVE,SOLENOID, 2 POS, 3 WAY.....1 AI, 2-speed motor shift (for manifold 101589, to SN Z452510A-39750 and to SN Z452511B-1606)		10B	139518GT	VALVE, SOLENOID, 2X3, 12V.....1 AF, Brake circuit (for manifold 139391, from SN Z452510A-39751 and from SN Z452511B-1607)	
--	52943GT	NUT,SOLENOID VALVE COIL (for manifold 101589, to SN Z452510A-39750 and to SN Z452511B-1606)		--	139519GT	COIL, SOLENOID VALVE, 12V 2PIN (for manifold 139391, from SN Z452510A-39751 and from SN Z452511B-1607)	
--	62273GT	COIL, GREEN W/ 2 PIN CONNECTOR* (for manifold 101589, to SN Z452510A-39750 and to SN Z452511B-1606)		--	139520GT	NUT, SOLENOID VALVE (for manifold 139391, from SN Z452510A-39751 and from SN Z452511B-1607)	
--	72043GT	SEAL KIT,SOLENOID VALVE (for manifold 101589, to SN Z452510A-39750 and to SN Z452511B-1606)		--	139521GT	SEAL KIT, VALVE (for manifold 139391, from SN Z452510A-39751 and from SN Z452511B-1607)	
8B	139518GT	VALVE, SOLENOID, 2X3, 12V.....2 AG, 2-speed motor shift (for manifold 139391, from SN Z452510A-39751 and from SN Z452511B-1607)		11A	27807GT	VALVE,CHECK***.....1 AL, 2 speed motor shift circuit (for manifold 101589, to SN Z452510B-39750 and to SN Z452511B-1606)	
--	139519GT	COIL, SOLENOID VALVE, 12V 2PIN (for manifold 139391, from SN Z452510A-39751 and from SN Z452511B-1607)		--	110200GT	SEAL KIT, VALVE, #4 (for manifold 101589, to SN Z452510A-39750 and to SN Z452511B-1606)	
--	139520GT	NUT, SOLENOID VALVE (for manifold 139391, from SN Z452510A-39751 and from SN Z452511B-1607)		11B	139525GT	VALVE, CHECK.....1 AH, 2 speed motor shift (for manifold 139391, from SN Z452510B-39751 and from SN Z452511B-1607)	
--	139521GT	SEAL KIT, VALVE (for manifold 139391, from SN Z452510A-39751 and from SN Z452511B-1607)		--	139526GT	SEAL KIT, VALVE (for manifold 139391, from SN Z452510A-39751 and from SN Z452511B-1607)	
9A	52724GT	PLUG,ORIFICE,0.030 (50684).....1 AJ, Brake and 2-speed circuit (for manifold 101589, to SN Z452510A-39750 and to SN Z452511B-1606)		12A	74990GT	ORIFICE, 0.025"(74129)*.....1 AM, 2 speed motor shift circuit (for manifold 101589, to SN Z452510A-39750 and to SN Z452511B-1606)	

702.1 4WD Traction Manifold

Item	Part No.	Description	Qty.	Item	Part No.	Description	Qty.
12B	139523GT	ORIFICE, 0.025".....1 <i>AI, 2 speed motor shift circuit (for manifold 139391, from SN Z452510A-39751 and from SN Z452511B-1607)</i>	1	16B	139527GT	VALVE, CHECK, 5PSI.....1 <i>T, Steer end drive motor circuit (for manifold 139391, from SN Z452510B-39751 and from SN Z452511B-1607)</i>	1
13A	33521GT	VALVE, FLOW DIVIDER/COMBINER.....1 <i>AN, Controls flow to flow divider/ combiner valves 1 and 17 (for manifold 101589, to SN Z452510A-39750 and to SN Z452511B-1606)</i>	1	--	139515GT	SEAL KIT, VALVE <i>(for manifold 139391, from SN Z452510A-39751 and from SN Z452511B-1607)</i>	
--	84135GT	SEAL KIT, VALVE <i>(for manifold 101589, to SN Z452510A-39750 and to SN Z452511B-1606)</i>		17A	52726GT	VALVE, FLOW DIVIDER/COMBINER.....1 <i>AR, Controls flow to steer end drive motors in forward and reverse (for manifold 101589, to SN Z452510A-39750 and to SN Z452511B-1606)</i>	1
13B	139511GT	VALVE, FLOW DIVIDE/COMBINE 2:1.....1 <i>V, Controls flow to flow divider/ combiner valves 1 and 17 (for manifold 139391, from SN Z452510A-39751 and from SN Z452511B-1607)</i>	1	--	84135GT	SEAL KIT, VALVE <i>(for manifold 101589, to SN Z452510A-39750 and to SN Z452511B-1606)</i>	
--	139512GT	SEAL KIT, VALVE <i>(for manifold 139391, from SN Z452510A-39751 and from SN Z452511B-1607)</i>		17B	139508GT	VALVE, FLOW DIVIDE/COMBINE 1:1.....1 <i>W, Controls flow to steer end drive motors in forward and reverse (for manifold 139391, from SN Z452510A-39751 and from SN Z452511B-1607)</i>	1
14A	27836GT	VALVE, CHECK, 5 PSI.....1 <i>AO, Steer end drive motor circuit (for manifold 101589, to SN Z452510A-39750 and to SN Z452511B-1606)</i>	1	--	139512GT	SEAL KIT, VALVE <i>(for manifold 139391, from SN Z452510A-39751 and from SN Z452511B-1607)</i>	
--	110194GT	SEAL KIT, VALVE, #10 <i>(for manifold 101589, to SN Z452510A-39750 and to SN Z452511B-1606)</i>		18A	27836GT	VALVE, CHECK, 5 PSI.....1 <i>AS, Non-steer end drive motor circuit (for manifold 101589, to SN Z452510A-39750 and to SN Z452511B-1606)</i>	1
14B	139527GT	VALVE, CHECK, 5PSI.....1 <i>AC, Steer end drive motor circuit (for manifold 139391, from SN Z452510A-39751 and from SN Z452511B-1607)</i>	1	--	110194GT	SEAL KIT, VALVE, #10 <i>(for manifold 101589, to SN Z452510A-39750 and to SN Z452511B-1606)</i>	
--	139515GT	SEAL KIT, VALVE <i>(for manifold 139391, from SN Z452510A-39751 and from SN Z452511B-1607)</i>		18B	139527GT	VALVE, CHECK, 5PSI.....1 <i>S, Non-steer end drive motor circuit (for manifold 139391, from SN Z452510A-39751 and from SN Z452511B-1607)</i>	1
15A	65449GT	PLUG, ORIFICE, 0.052 (40033).....1 <i>AP, Drive circuit (for manifold 101589, to SN Z452510A-39750 and to SN Z452511B-1606)</i>	1	--	139515GT	SEAL KIT, VALVE <i>(for manifold 139391, from SN Z452510A-39751 and from SN Z452511B-1607)</i>	
15B	139524GT	ORIFICE, 0.052".....1 <i>Y, Drive circuit (for manifold 139391, from SN Z452510A-39751 and from SN Z452511B-1607)</i>	1	19A	27836GT	VALVE, CHECK, 5 PSI.....1 <i>AT, Non-steer end drive motor circuit (for manifold 101589, to SN Z452510A-39750 and to SN Z452511B-1606)</i>	1
16A	27836GT	VALVE, CHECK, 5 PSI.....1 <i>AQ, Steer end drive motor circuit (for manifold 101589, to SN Z452510A-39750 and to SN Z452511B-1606)</i>	1	--	110194GT	SEAL KIT, VALVE, #10 <i>(for manifold 101589, to SN Z452510A-39750 and to SN Z452511B-1606)</i>	
--	110194GT	SEAL KIT, VALVE, #10 <i>(for manifold 101589, to SN Z452510A-39750 and to SN Z452511B-1606)</i>		19B	139527GT	VALVE, CHECK, 5PSI.....1 <i>AA, Non-steer end drive motor circuit (for manifold 139391, from SN Z452510A-39751 and from SN Z452511B-1607)</i>	1

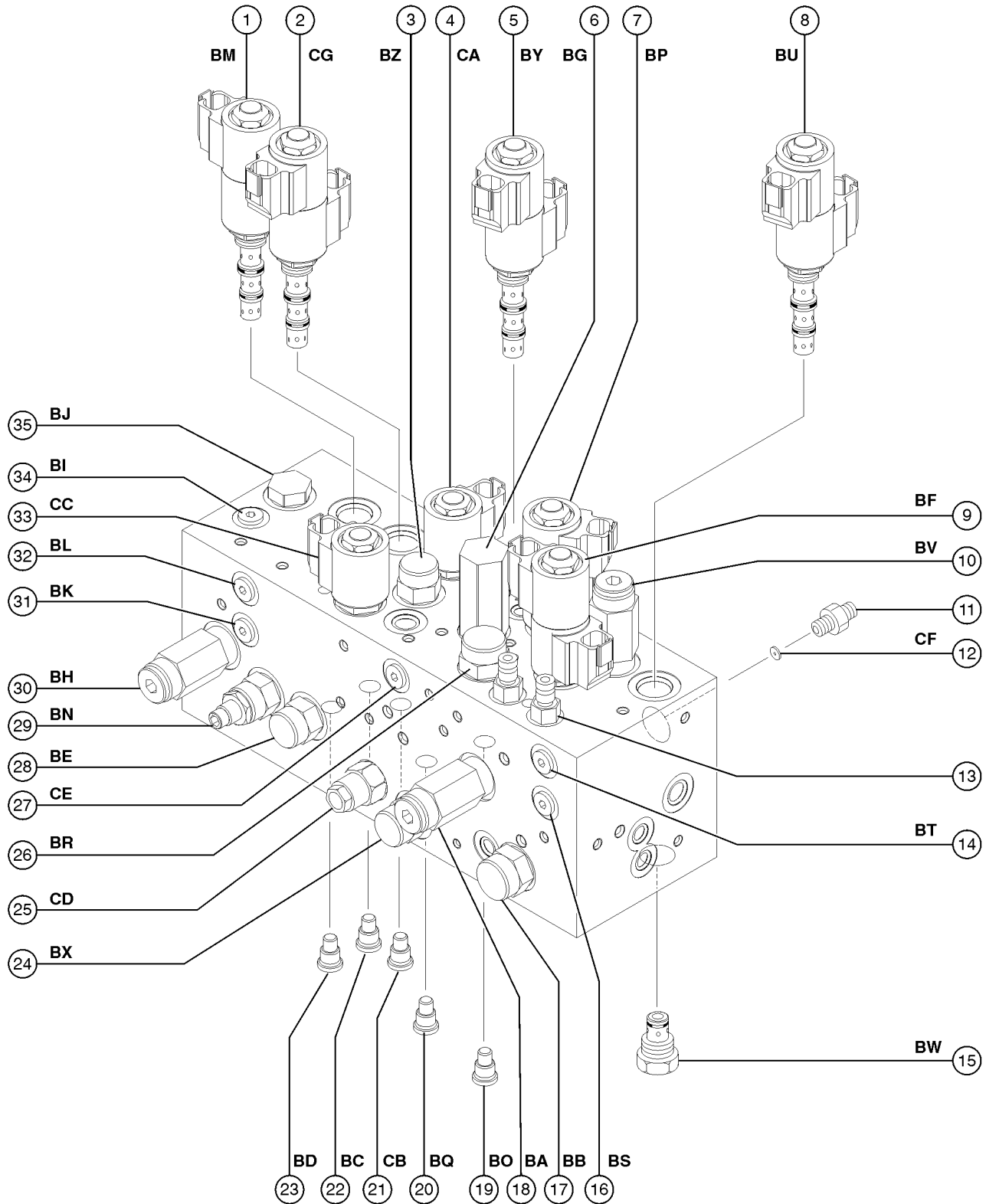
702.1 4WD Traction Manifold
(continued)

Item	Part No.	Description	Qty.
--	139515GT	SEAL KIT, VALVE <i>(for manifold 139391, from SN Z452510A-39751 and from SN Z452511B-1607)</i>	



This Page Intentionally Left Blank

703.1 Function Manifold



703.1 Function Manifold

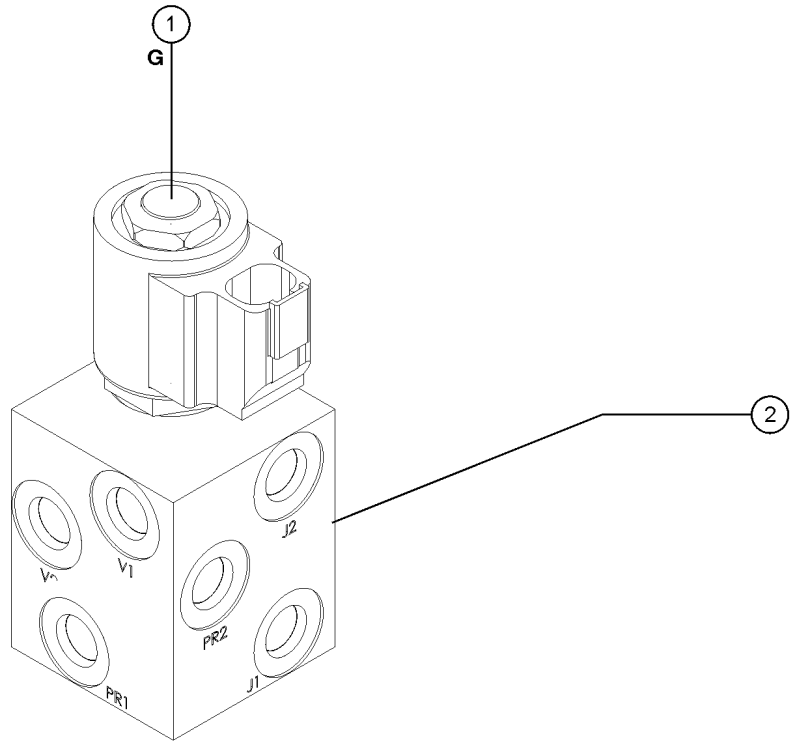
Item	Part No.	Description	Qty.	Item	Part No.	Description	Qty.
--	110273GT	MANIFOLD,FUNCTION,IC		13	48997GT	NIPPLE,DIAGNOSTIC,#4 <i>Testing</i>	
1	39346GT	VALVE,SOLENOID 3 POS.4 WAY*** <i>BM, Platform level up/down, valve with nut and spacer only</i>		--	20224GT	DIAGNOSTIC FEMALE Q-DSCNT	
--	44229GT	SEAL KIT, VALVE		14	52907GT	VALVE-CHECK, #4 SAE, 5 PSI* <i>BT, Differential sensing circuit,secondary boom down</i>	
--	89863GT	COIL,10V DC,DEUTCH W/DIODE***		--	62341GT	SEAL KIT,52907,SIZE 4, 2 WAY	
2	39346GT	VALVE,SOLENOID 3 POS.4 WAY*** <i>CG, Platform rotate left/right and jib boom up/down, valve with nut and spacer only</i>		15	44178GT	VALVE,CHECK,5 PSI** <i>BW, Secondary boom circuit</i>	
--	44229GT	SEAL KIT, VALVE		--	44224GT	SEAL KIT, VALVE	
--	89863GT	COIL,10V DC,DEUTCH W/DIODE***		16	52907GT	VALVE-CHECK, #4 SAE, 5 PSI* <i>BS, Differential sensing circuit, secondary boom up</i>	
3	62346GT	VALVE,FLOW REGULATOR, 2.0 GPM* <i>BZ, Primary boom extension circuit</i>		--	62341GT	SEAL KIT,52907,SIZE 4, 2 WAY	
--	44228GT	SEAL KIT, VALVE		17	94617GT	VALVE,PRIO FLOW REG,1.5 GPM <i>BB, Steer circuit</i>	
4	62815GT	VALVE,SOLENOID,2POS 3 WAY*** <i>CA, Primary boom extend, valve with nut and spacer only</i>		--	44225GT	SEAL KIT, VALVE	
--	52371GT	SEAL KIT, VALVE		18	52906GT	VALVE-RELIEF,3200 PSI <i>BA, System relief</i>	
--	89863GT	COIL,10V DC,DEUTCH W/DIODE***		--	44227GT	SEAL KIT, VALVE	
5	94614GT	VALVE,PROP,3 POS,4-WAY*** <i>BY, Primary boom up/down, valve with nut and spacer only</i>		19	44216GT	VALVE,SHUTTLE <i>BO, Turntable rotate circuit</i>	
--	44229GT	SEAL KIT, VALVE		--	44235GT	SEAL KIT-FOR PN.44216 & 826779	
--	89863GT	COIL,10V DC,DEUTCH W/DIODE***		20	52907GT	VALVE-CHECK, #4 SAE, 5 PSI* <i>BQ, Differential sensing circuit, turntable rotate</i>	
6	94616GT	VALVE,DIFF SENSING,160 PSI <i>BG, Meters flow to functions</i>		--	62341GT	SEAL KIT,52907,SIZE 4, 2 WAY	
--	62337GT	SEAL KIT, VALVE		21	52907GT	VALVE-CHECK, #4 SAE, 5 PSI* <i>CB, Differential sensing circuit,primary boom retract</i>	
7	107816GT	VALVE,PROPORTIONAL 3 POS 4 WY* <i>BP, Turntable rotate left/right, valve with nut and spacer only</i>		--	62341GT	SEAL KIT,52907,SIZE 4, 2 WAY	
--	44229GT	SEAL KIT, VALVE		22	52907GT	VALVE-CHECK, #4 SAE, 5 PSI* <i>BC, Differential sensing circuit, platform rotate left / jib boom up</i>	
--	89863GT	COIL,10V DC,DEUTCH W/DIODE***		--	62341GT	SEAL KIT,52907,SIZE 4, 2 WAY	
8	94614GT	VALVE,PROP,3 POS,4-WAY*** <i>BU, Secondary boom up/down, valve with nut and spacer only</i>		23	52907GT	VALVE-CHECK, #4 SAE, 5 PSI* <i>BD, Differential sensing circuit,platform rotate right / jib boom down</i>	
--	44229GT	SEAL KIT, VALVE		--	62341GT	SEAL KIT,52907,SIZE 4, 2 WAY	
--	89863GT	COIL,10V DC,DEUTCH W/DIODE***		24	32975GT	VALVE,FLOW REGULATOR 0.1 GPM <i>BX, Differential sensing circuit,primary boom up/down</i>	
9	44168GT	VALVE,SOLENOID,3POS 4WAY <i>BF, Steer left/right, valve with nut and spacer only</i>		--	44228GT	SEAL KIT, VALVE	
--	44229GT	SEAL KIT, VALVE		25	54063GT	VALVE,CB.CBBC-LHN@1000*** <i>CD, Primary boom down circuit</i>	
--	89863GT	COIL,10V DC,DEUTCH W/DIODE***		--	43018GT	SEAL KIT (39345)	
10	101277GT	VALVE,RELIEF,2100 PSI*** <i>BV, Secondary boom down</i>		26	110180GT	VALVE, COMPENSATOR, 80 PSI <i>BR, Turntable rotate circuit</i>	
--	44227GT	SEAL KIT, VALVE		--	44225GT	SEAL KIT, VALVE	
11		Ref. Fitting (refer to Figure 805.1, 806.1 or 807.1)					
12	47092GT	ORIFICE DISC,.046", GREEN <i>CF, Secondary boom down circuit (located under fitting)</i>					

703.1 Function Manifold
(continued)

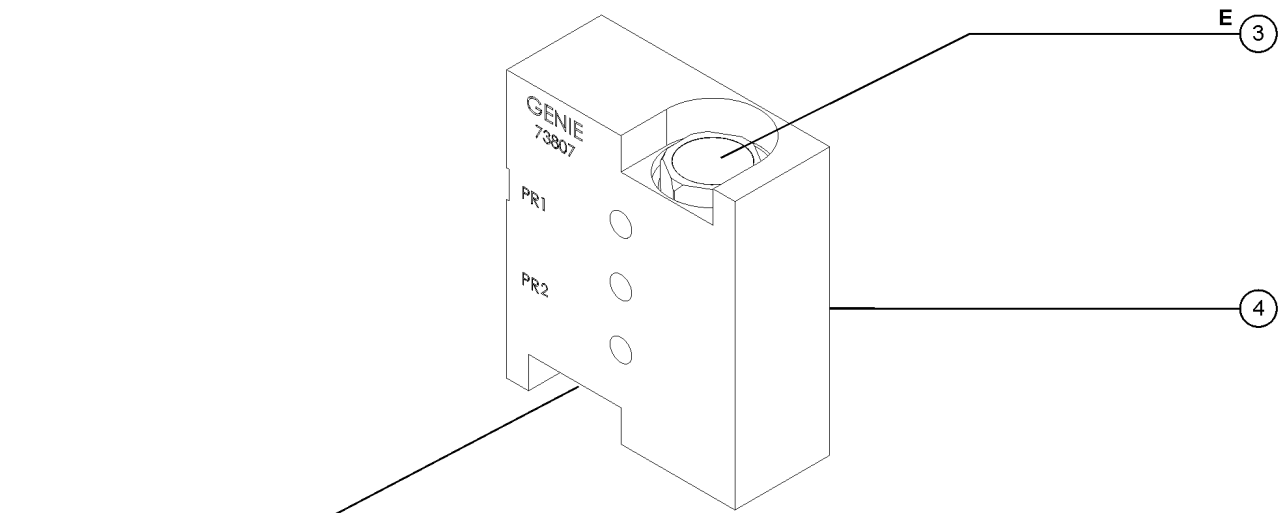
Item	Part No.	Description	Qty.
27	44216GT	VALVE,SHUTTLE <i>CE, Differential sensing circuit,primary boom up/down</i>	
--	44235GT	SEAL KIT-FOR PN.44216 & 826779	
28	94618GT	VALVE,FLOW CONTROL,.4 GPM <i>BE, Platform rotate / jib boom circuit primary boom up/down</i>	
--	44228GT	SEAL KIT, VALVE	
29	101055GT	VALVE,NEEDLE,FINE ADJUSTMENT** <i>BN, Platform level circuit</i>	
--	44228GT	SEAL KIT, VALVE	
30	101114GT	VALVE RELIEF,2500PSI(88513)** <i>BH, Platform level circuit</i>	
--	44227GT	SEAL KIT, VALVE	
31	52907GT	VALVE-CHECK, #4 SAE, 5 PSI* <i>BK, Differential sensing circuit,platform level up</i>	
--	62341GT	SEAL KIT,52907,SIZE 4, 2 WAY	
32	52907GT	VALVE-CHECK, #4 SAE, 5 PSI* <i>BL, Differential sensing circuit,platform level down</i>	
--	62341GT	SEAL KIT,52907,SIZE 4, 2 WAY	
33	62815GT	VALVE,SOLENOID,2POS 3 WAY*** <i>CC, Primary boom retract (does not include a coil)</i>	
--	52371GT	SEAL KIT, VALVE	
--	89863GT	COIL,10V DC,DEUTCH W/DIODE*** <i>(not a component of 62815)</i>	
34	44216GT	VALVE,SHUTTLE <i>BI, Platform level circuit</i>	
--	44235GT	SEAL KIT-FOR PN.44216 & 826779	
35	101958GT	VALVE,CHECK,DUAL PILOT,135 PSI <i>BJ, Platform level circuit</i>	
--	44229GT	SEAL KIT, VALVE	

This Page Intentionally Left Blank

704.1 Jib and Platform Rotate Manifolds



Jib Manifold

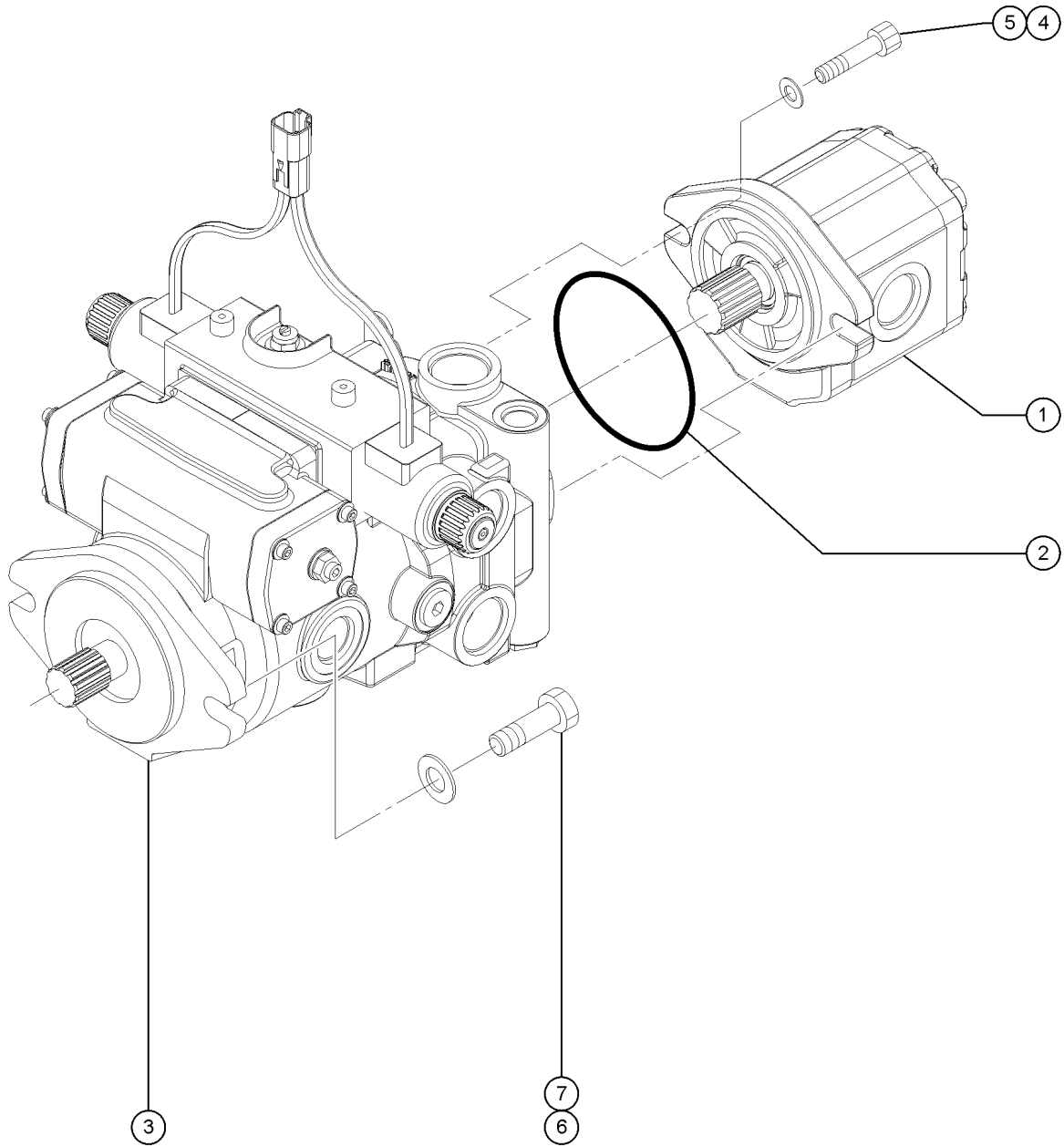


Platform Rotate Manifold

704.1 Jib and Platform Rotate Manifolds

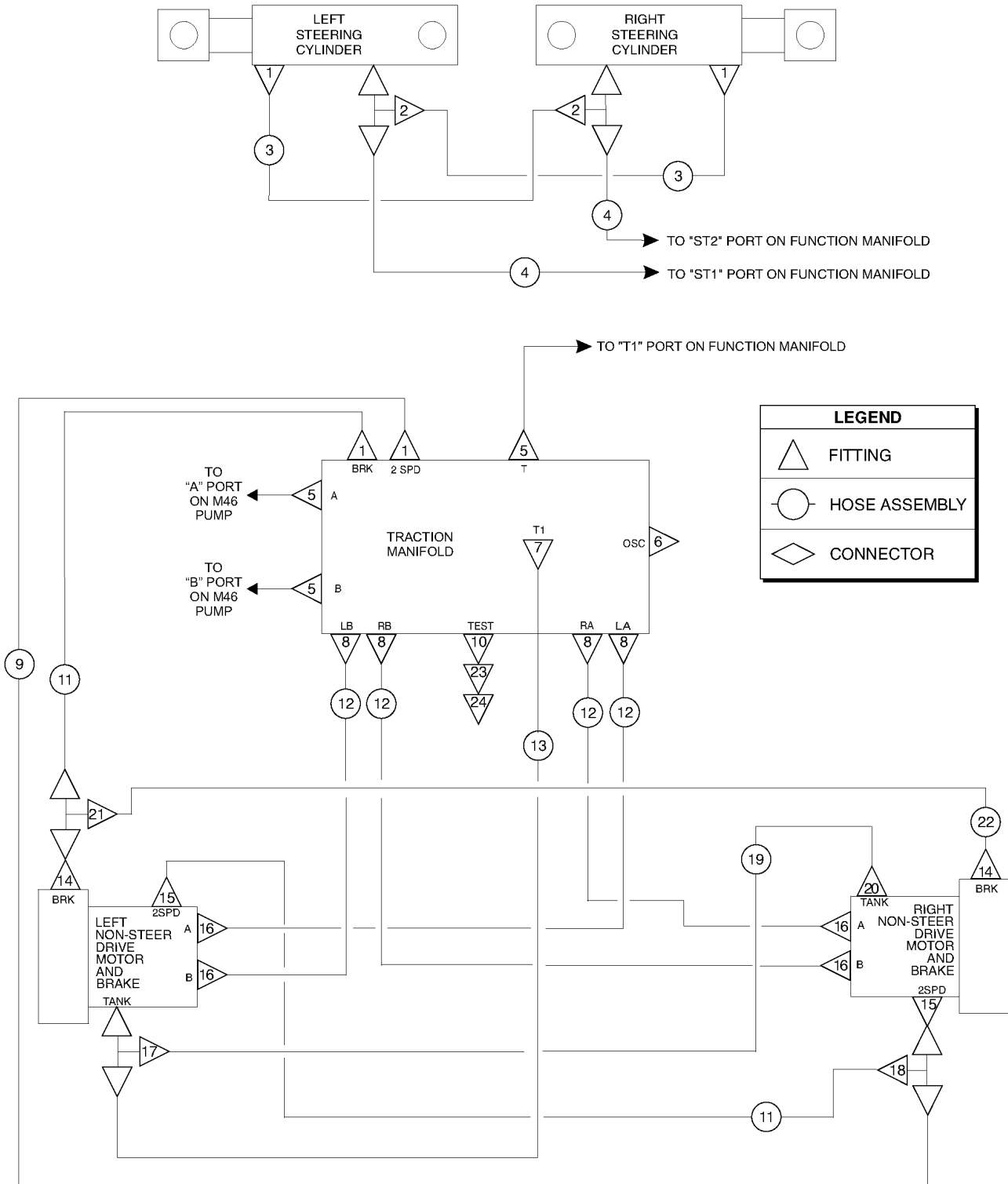
Item	Part No.	Description	Qty.
1A	89862GT	VALVE-SOLENOID,2POS 3WAY,JIB** <i>G, Platform rotate left/right and jib boom up/down, for 88786, does not include the coil or nut, 104759 or 44174</i>	
--	104759GT	COIL,12VDC #8 DTSCH IP69 ECOIL	
--	44174GT	NUT-COIL SHORT	
--	89864GT	SEAL KIT,SOLENOID VALVE, SV07	
1B	52897GT	VALVE,SOLENOID, 2POS/3WAY*** <i>G, Platform rotate left/right and jib boom up/down, for 1256670, does not include the coil or nut, 104759 or 44174</i>	
--	104759GT	COIL,12VDC #8 DTSCH IP69 ECOIL	
--	44174GT	NUT-COIL SHORT	
--	52371GT	SEAL KIT, VALVE	
2	1256670GT	MANIFOLD,JIB SELECT W/QD PLUG <i>includes item 1, replaced 88786</i>	
--	104759GT	COIL,12VDC #8 DTSCH IP69 ECOIL	
--	44174GT	NUT-COIL SHORT	
--	52371GT	SEAL KIT, VALVE <i>for 52897</i>	
--	52897GT	VALVE,SOLENOID, 2POS/3WAY***	
3	62506GT	VALVE - COUNTERBALANCE** <i>F, Platform rotate right circuit</i>	
--	43018GT	SEAL KIT (39345) <i>for 62506</i>	
--	62506GT	VALVE - COUNTERBALANCE** <i>E, Platform rotate left circuit</i>	
4	73807GT	MANIFOLD,ROTATOR,CB*** <i>includes item 3</i>	
--	43018GT	SEAL KIT (39345)	
--	62507GT	O-RING, ROTATOR MANIFOLD <i>for 62507</i>	

705.1 Pumps



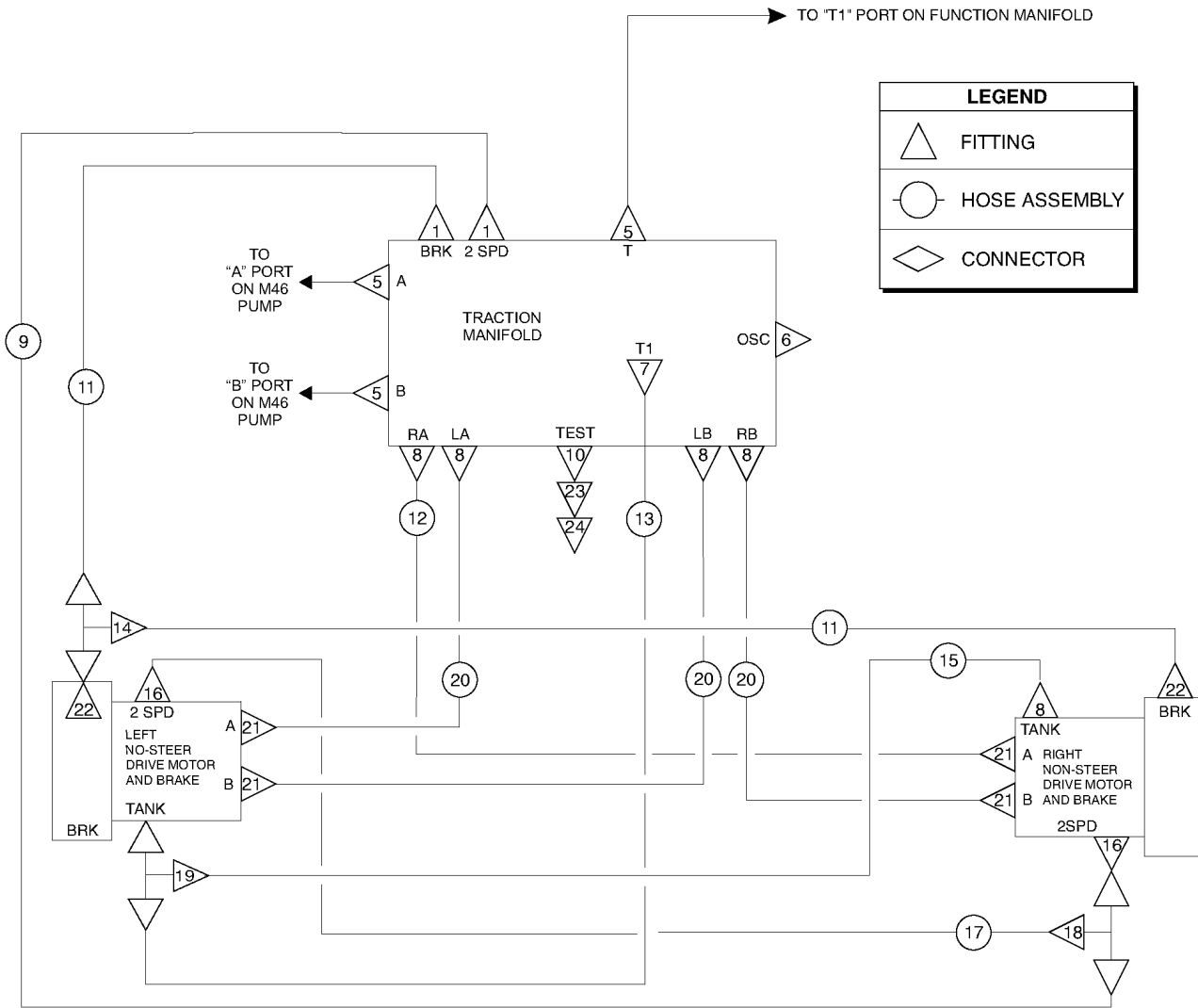
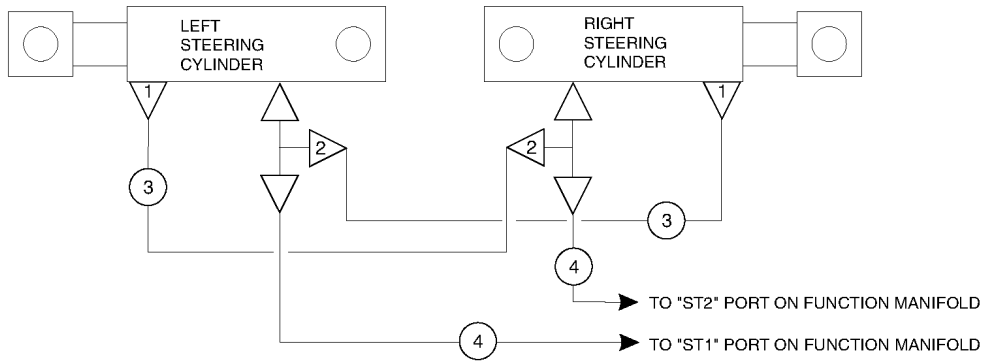
Item	Part No.	Description	Qty.
1	81013GT	PUMP,PIGGBACK,11CC,11 TOOTH***	1
--	81669GT	SEAL KIT,11 TOOTH PUMP***	
2	43683GT	O-RING,2-042 N674-70***	1
3	77788GT	PUMP,PISTON,49CC***	1
--	101294GT	KIT,CHARGE PUMP	
--	106835GT	CONTROLLER W/O COILS (77788) <i>(first time replacement requires 1285505GT)</i>	
--	106836GT	O-RING,STEM,EATON	
--	106837GT	NUT,STEM,EATON***	
--	107813GT	SPACER,EATON PUMP SHAFT SEAL** <i>check pump date code, for pumps after 031505</i>	
--	107814GT	SEAL,SHAFT,EATON PUMP***	
--	107815GT	SNAP RING,PUMP SHAFT SEAL ***	
--	107842GT	KIT,PUMP SHAFT SEAL W/INST*** <i>includes PNs 107813, 107814, 107815</i>	
--	128423GT	KIT,CHARGE PUMP HOUSING	
--	1285505GT	KIT,SOLENOID CONTROL SERVICE <i>includes two coils</i>	
--	1285506GT	SEAL RING,SOLENOID CONTROL <i>(for 1285505GT)</i>	
--	43683GT	O-RING,2-042 N674-70***	
--	58431GT	SEAL KIT,PUMP SHAFT (EATON)*** <i>check pump date code, if after 031505, must also order 107813 qty 1</i>	
--	82431GT	HOSE ASM-JCAF310-06-41	
4	33988GT	SCREW,SHC,3/8-16 X 1.....	2
5	57201GT	WASHER,FLAT,313, HARDENED.....	2
6	22788GT	SCREW,HHC,1/2-13 X 1.75.....	2
7	13066GT	WASHER,FLAT,.5 HARDENED.....	2

801.1 2WD Drive and Steer



Item	Part No.	Description	Qty.
--		<i>The hose lengths below reflect the length of the hose only. Refer to the 'Fittings Cross Reference' to match Genie part numbers to Parker part numbers.</i>	
1	48904GT	ELBOW,90D,520220-4-4.....	4
2	48906GT	TEE,RUN,520428-4.....	2
3	49119-3203GT	HOSE ASSY,1/4,STR FEM,STR FEM.....	2
4	49117-14391GT	HOSE ASSY,1/4,90 FEM,STR FEM.....	2
5	48960GT	FITTING,CONN,520120-12***.....	3
6	48905GT	CONN,520120-4*** <i>oscillating models</i>	
6	49859GT	PLUG,HEX,090109A-4..... <i>non-oscillating models</i>	1
7	48932GT	FITTING,ELBOW,90D,520220-8***.....	1
8	48933GT	CONN,520120-8***.....	4
9	49117-6091GT	HOSE ASSY,1/4,90 FEM,STR FEM**.....	1
10	48907GT	ELBOW,45D,520320-4.....	1
11	49117-5091GT	HOSE ASSY,1/4,90 FEM,STR FEM.....	2
12	81812-3992GT	HOSE ASSY,1/2,STR FEM,STR FEM.....	4
13	94464-4986GT	HOSE ASSY,1/2****.....	1
14	48905GT	CONN,520120-4***.....	2
15	48911GT	ELBOW,90D,520220-4-6***.....	2
16	48947GT	ELBOW,90D,520220-8-12.....	4
17	48936GT	TEE,BRANCH,520429-8.....	1
18	48891GT	FITTING,TEE,BRANCH,520433-4.....	1
19	94464-6286GT	HOSE ASSY,1/2,STR FEM,STR FEM.....	1
20	48936GT	TEE,BRANCH,520429-8.....	1
21	48908GT	FITTING,TEE,RUN,SWIVEL520432-4.....	1
22	49119-5378GT	HOSE ASSY,1/4,STR FEM,STR FEM.....	1
23	49207GT	NIPPLE,DIAGNOSTIC,ORFS,FM,SWIV..1	
24	48880GT	CAP,DIAGNOSTIC NIPPLE.....	1

802.1 2WD Drive and Steer - Narrow Models

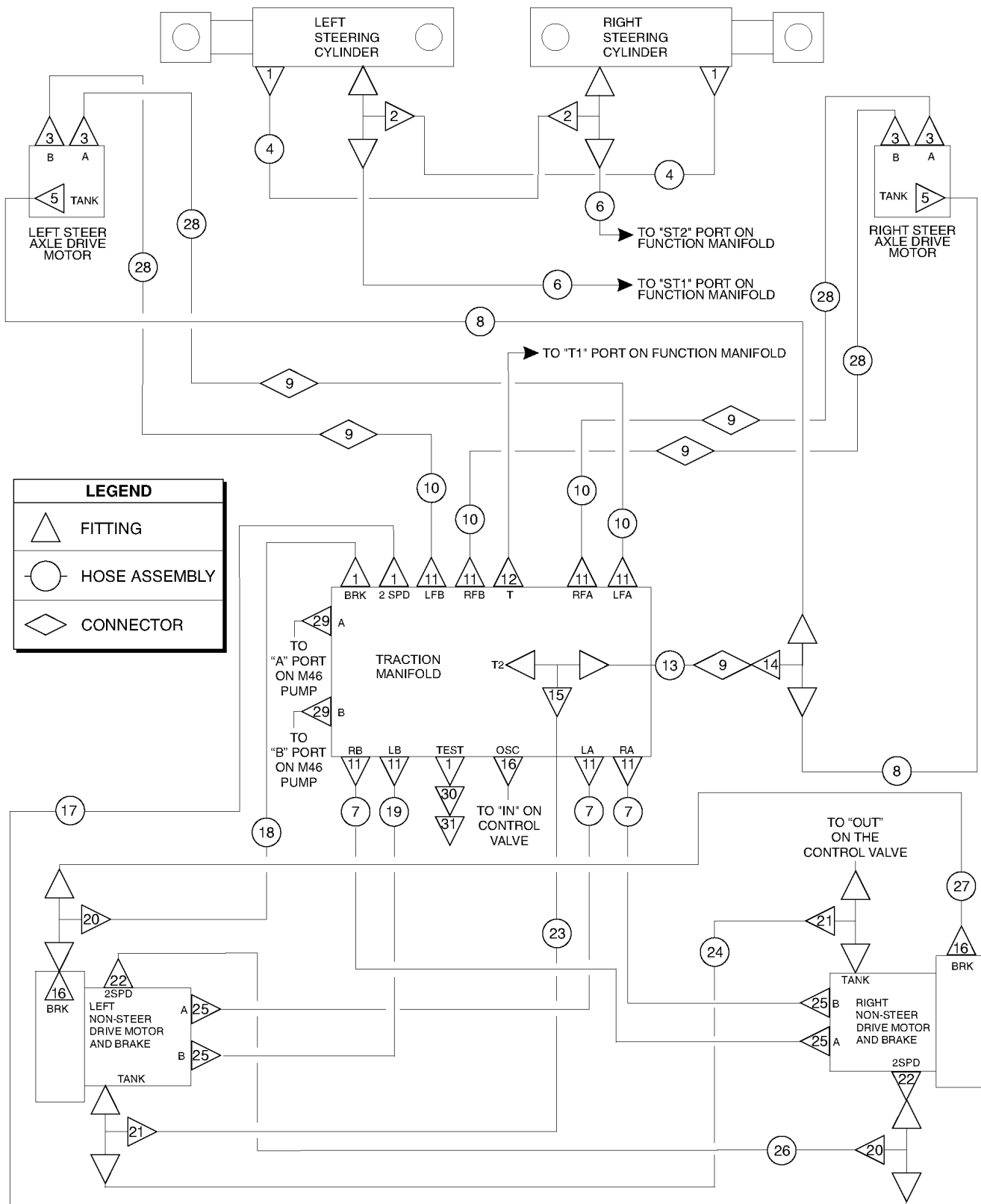


LEGEND	
	FITTING
	HOSE ASSEMBLY
	CONNECTOR

802.1 2WD Drive and Steer - Narrow Models

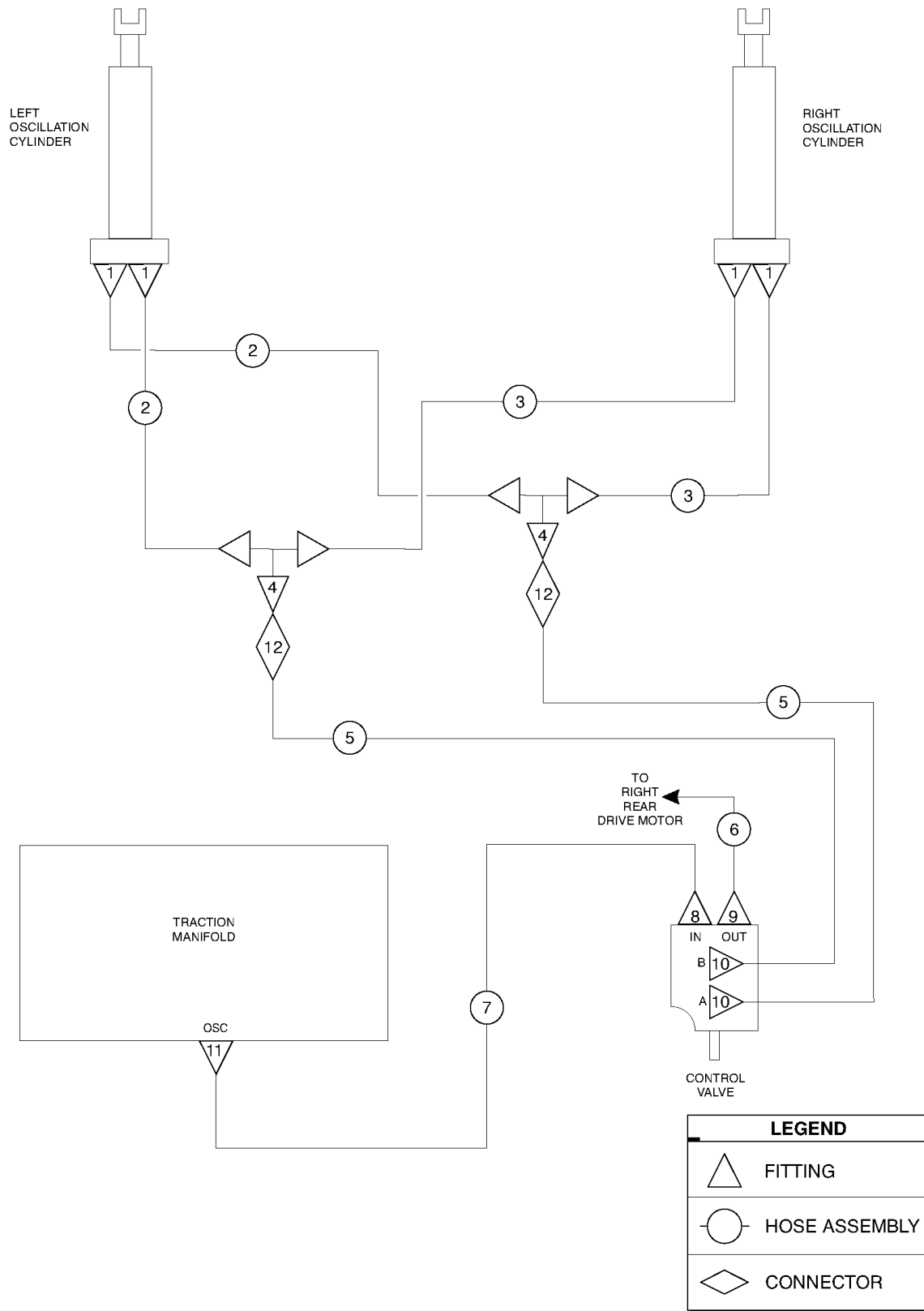
Item	Part No.	Description	Qty.
--		<i>The hose lengths below reflect the length of the hose only. Refer to the 'Fittings Cross Reference' to match Genie part numbers to Parker part numbers.</i>	
1	48904GT	ELBOW,90D,520220-4-4.....	4
2	48906GT	TEE,RUN,520428-4.....	2
3	49119-2078GT	HOSE ASSY,1/4,STR FEM,STR FEM*....	1
4	49117-11091GT	HOSE ASSY,1/4,90 FEM,STR FEM.....	1
5	48960GT	FITTING,CONN,520120-12***.....	3
6	49859GT	PLUG,HEX,090109A-4.....	1
7	48932GT	FITTING,ELBOW,90D,520220-8***.....	1
8	48933GT	CONN,520120-8***.....	5
9	49117-5291GT	HOSE ASSY,1/4,90 FEM,STR FEM.....	1
10	48907GT	ELBOW,45D,520320-4.....	1
11	49119-3778GT	HOSE ASSY,1/4,STR FEM,STR FEM.....	2
12	81812-3592GT	HOSE ASSY,1/2,STR FEM,STR FEM.....	1
13	94464-4386GT	HOSE ASSY,1/2".....	1
14	48908GT	FITTING,TEE,RUN,SWIVEL520432-4.....	1
15	94464-4886GT	HOSE ASSY,1/2 STR FEM,STR FEM.....	1
16	48912GT	CONN,520120-4-6***.....	2
17	49117-3291GT	HOSE ASSY,1/4,90 FEM,STR FEM**....	1
18	48891GT	FITTING,TEE,BRANCH,520433-4.....	1
19	48936GT	TEE,BRANCH,520429-8.....	1
20	81812-3592GT	HOSE ASSY,1/2,STR FEM,STR FEM.....	3
21	48947GT	ELBOW,90D,520220-8-12.....	4
22	48905GT	CONN,520120-4***.....	2
23	49207GT	NIPPLE,DIAGNOSTIC,ORFS,FM,SWIV..	1
24	48880GT	CAP,DIAGNOSTIC NIPPLE.....	1

803.1 4WD Drive and Steer System



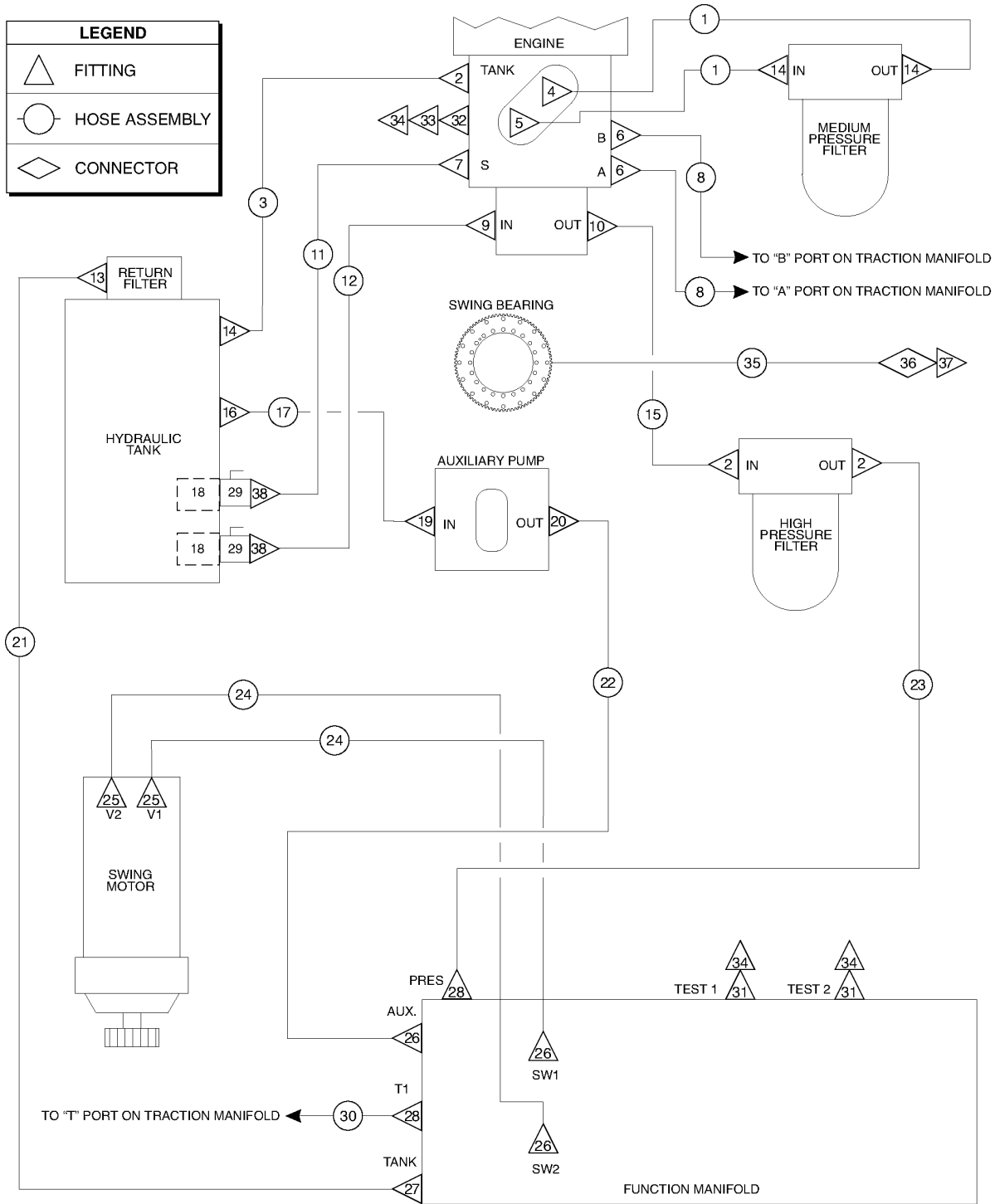
Item	Part No.	Description	Qty.
--		<i>The hose lengths below reflect the length of the hose only. Refer to the 'Fittings Cross Reference' to match Genie part numbers to Parker part numbers.</i>	
1	48904GT	ELBOW,90D,520220-4-4.....	5
2	48906GT	TEE,RUN,520428-4.....	2
3	48946GT	CONN,520120-8-10.....	4
4	49119-3203GT	HOSE ASSY,1/4,STR FEM,STR FEM.....	2
5	48930GT	CONN,520120-6-8.....	2
6	49117-14391GT	HOSE ASSY,1/4,90 FEM,STR FEM.....	2
7	61143-3963GT	HOSE ASSY,1/2,45 FEM STR FEM.....	3
8	49133-5140GT	HOSE ASSY,T FITTING/DRIVEMOTOR.....	2
9	77309GT	NUT,BULKHEAD,520118-8.....	5
10	49110-7592GT	HOSE ASSY,D.MANIF/FR D.MOTORS...4	
11	48933GT	CONN,520120-8***.....	8
12	48948GT	CONN,520120-8-12.....	1
13	77311-5906GT	HOSE ASSY,BRKT./D.MANIFOLD.....	1
14	48939GT	TEE,BRANCH,520433-8.....	1
15	48936GT	TEE,BRANCH,520429-8.....	1
16	48905GT	CONN,520120-4***.....	3
17	49117-6141GT	HOSE ASSY,1/4,90 FEM,STR FEM.....	1
18	49117-5091GT	HOSE ASSY,1/4,90 FEM,STR FEM.....	1
19	81812-3892GT	HOSE ASSY,1/2".....	1
20	48908GT	FITTING,TEE,RUN,SWIVEL520432-4.....	2
21	48935GT	TEE,RUN,520428-8.....	2
22	48911GT	ELBOW,90D,520220-4-6***.....	2
23	94464-4886GT	HOSE ASSY,1/2 STR FEM,STR FEM....	1
24	94464-6586GT	HOSE ASSY,1/2".....	1
25	48947GT	ELBOW,90D,520220-8-12.....	4
26	49119-5203GT	HOSE ASSY,1/4,STR FEM,STR FEM....	1
27	49119-5778GT	HOSE ASSY,1/4,STR FEM,STR FEM....	1
28	77312-3577GT	HOSE ASSY,DMANIF/LR&RR BRAKE...4	
29	48960GT	FITTING,CONN,520120-12***.....	2
30	49207GT	NIPPLE,DIAGNOSTIC,ORFS,FM,SWIV..1	
31	48880GT	CAP,DIAGNOSTIC NIPPLE.....	1

804.1 Oscillate System



Item	Part No.	Description	Qty.
--		<i>The hose lengths below reflect the length of the hose only. Refer to the 'Fittings Cross Reference' to match Genie part numbers to Parker part numbers.</i>	
1	48912GT	CONN,520120-4-6***.....	4
2	49117-2091-SGT	HOSE ASSY,1/4,90 FEM,STR FEM.....	2
3	49117-3191GT	HOSE ASSY,1/4,90 FEM,STR FEM.....	2
4	48891GT	FITTING,TEE,BRANCH,520433-4.....	2
5	75574GT	NUT,BULKHEAD,520118-4 (item sold seperately)	
5	88636-9073GT	HOSE ASSY 1/4,STR FEM,STR BULK...2	
6	94464-5086GT	HOSE ASSY,1/2".....	1
7	49117-3791GT	HOSE ASSY,1/4,90 FEM,STR FEM**.....	1
8	48914GT	CONN,520120-4-8.....	1
9	48933GT	CONN,520120-8***.....	1
10	48911GT	ELBOW,90D,520220-4-6***.....	2
11	48905GT	CONN,520120-4***.....	1
12	75574GT	NUT,BULKHEAD,520118-4.....	2

805.1 Turntable Components






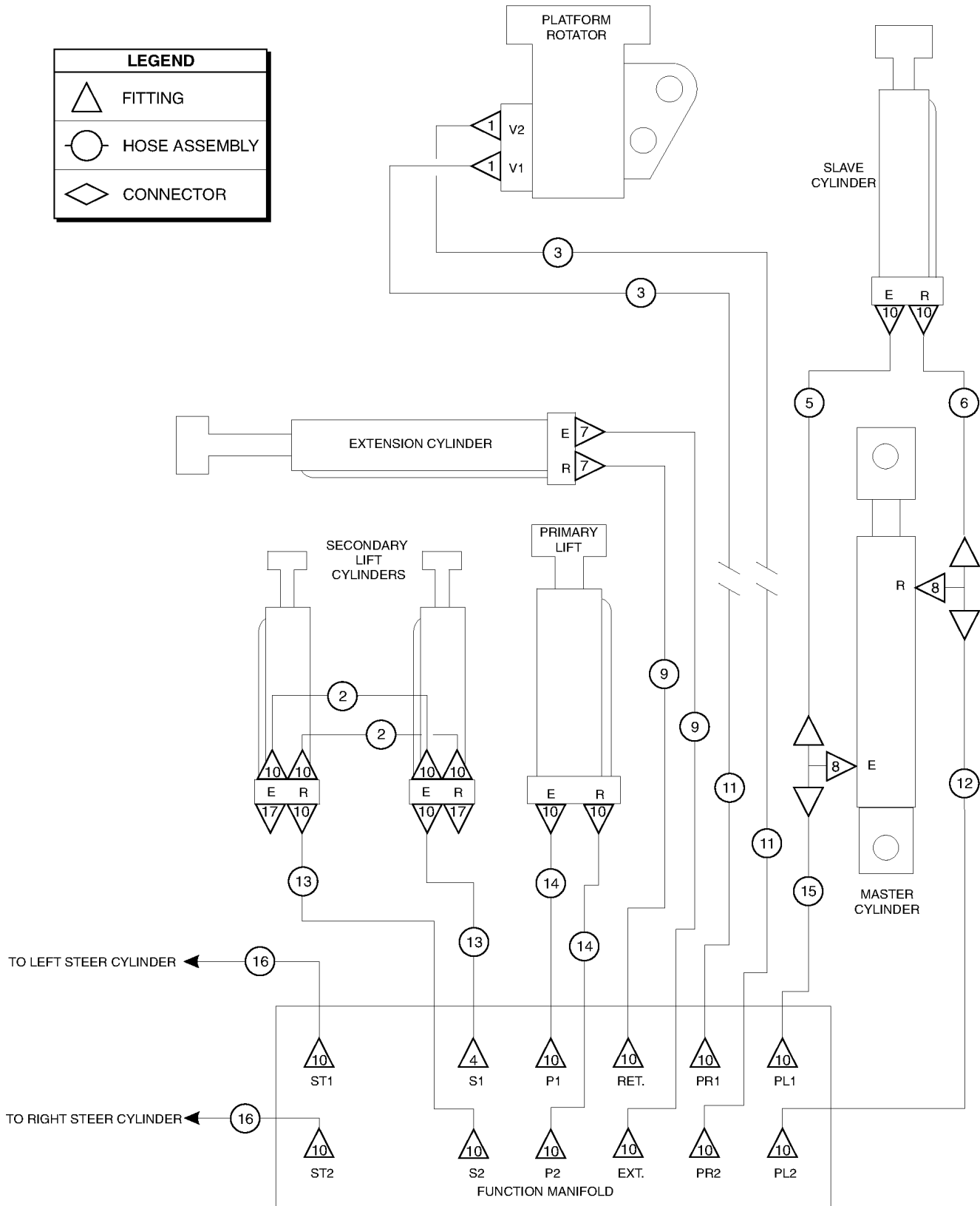
805.1 Turntable Components

Item	Part No.	Description	Qty.	Item	Part No.	Description	Qty.
--		<i>The hose lengths below reflect the length of the hose only. Refer to the 'Fittings Cross Reference' to match Genie part numbers to Parker part numbers.</i>		36	48885GT	CONNECTOR,BULKHEAD,FEMALE-4...	1
				37	94643GT	ZERK,GREASE,5/16-24,STRAIT.....	1
				38	48984GT	CONN,520120-16.....	2
1	49141-2350GT	HOSE ASSY,1/2,45 FEM,STR FEM.....	2				
2	48948GT	CONN,520120-8-12.....	3				
3	49141-5863GT	HOSE ASSY,1/2,45 FEM,STR FEM**	1				
4	48946GT	CONN,520120-8-10.....	1				
5	48949GT	CONN,520120-8-16.....	1				
6	48978GT	ELBOW,45D,520320-12-16.....	2				
7	48985GT	ELBOW,45D,520320-16.....	1				
8	48767GT	SLEEVE,NYLON,1.42 ID.....	20-inches				
8	94374-10830GT	HOSE ASSY,3/4,90 FEM,STR FEM.....	2				
9	48983GT	ELBOW,90D,520220-16.....	1				
10	48999GT	VALVE,CHK,#8PORT-#8MALEORFS.....	1				
11	11993-3828 GT	HOSE ASSY 1",STR FEM,STR FEM.....	1				
11	28678GT	SLEEVE,NYLON,2"I.D.,BULK(100').18-inches					
12	11993-4928 GT	HOSE ASSY 1",STR FEM,STR FEM.....	1				
12	28678GT	SLEEVE,NYLON,2"I.D.,BULK(100').29-inches					
13	48977GT	CONN,520120-12-16.....	1				
14	48932GT	FITTING,ELBOW,90D,520220-8***.....	3				
15	75278-1829GT	HOSE ASSY,1/2,90 FEM,STR FEM.....	1				
15	75278-2229GT	HOSE ASSY,1/2,90 FEM,STR FEM..... <i>Models with hostile environment package</i>	1				
16	48930GT	CONN,520120-6-8.....	1				
17	70639-2878GT	HOSE ASSY,3/8,STR FEM,90D FEM.....	1				
18	147419GT	KIT,STRAINER REPLACEMENT.....	2				
19	48916GT	CONN, 520120-6.....	1				
20	48912GT	CONN,520120-4-6***	1				
21	49150-3630GT	HOSE ASSY,3/4,90 FEM,STR FEM.....	1				
22	49119-5878GT	HOSE ASSY,1/4,STR FEM,STR FEM.....	1				
23	75278-8229GT	HOSE ASSY,1/2,90 FEM,STR FEM.....	1				
24	49119-5078GT	HOSE ASSY,1/4,STR FEM,STR FEM*.....	2				
25	48904GT	ELBOW,90D,520220-4-4.....	2				
26	48905GT	CONN,520120-4***	3				
27	48959GT	FITTING,ELBOW,90D,520220-12.....	1				
28	48933GT	CONN,520120-8***	2				
29	48996GT	VALVE,BALL,16 MSAE-16 FSAE***.....	2				
30	49183-10882 SGT	HOSE ASSY,1/2,STR FEM,STR FEM.....	1				
31	48997GT	NIPPLE,DIAGNOSTIC,#4.....	2				
32	48914GT	CONN,520120-4-8.....	1				
33	49207GT	NIPPLE,DIAGNOSTIC,ORFS,FM,SWIV..	1				
34	48880GT	CAP,DIAGNOSTIC NIPPLE.....	3				
35	88635-4024GT	HOSE ASSY 1/4,STR FEM,PIPETHRE..	1				



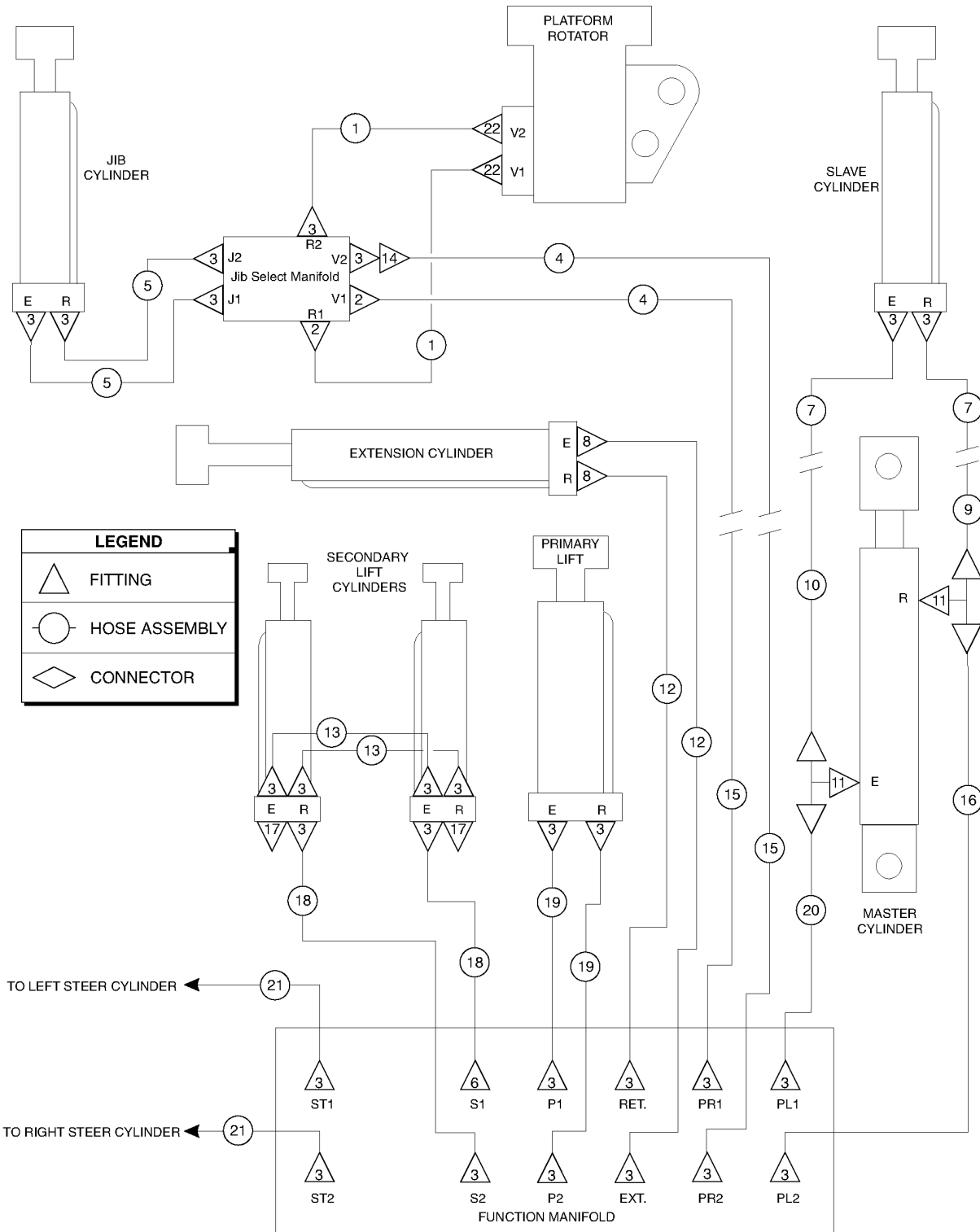
806.1 Boom Components, Z-45/25

LEGEND	
	FITTING
	HOSE ASSEMBLY
	CONNECTOR



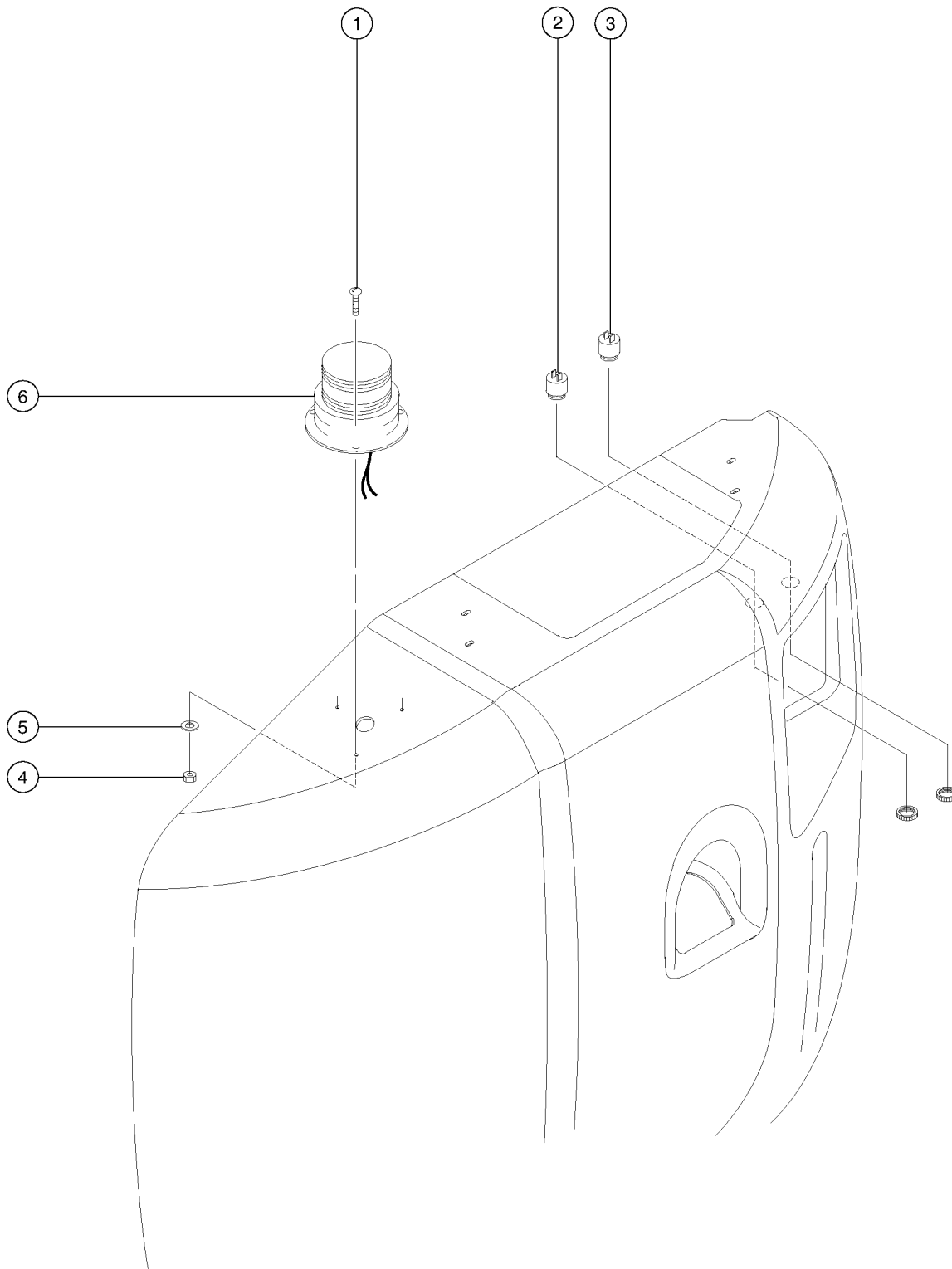
Item	Part No.	Description	Qty.
--		<i>The hose lengths below reflect the length of the hose only. Refer to the 'Fittings Cross Reference' to match Genie part numbers to Parker part numbers.</i>	
--	28678GT	SLEEVE,NYLON,2" I.D.,BULK(100').18-inches protective hose sleeve, 2.00" diameter	
--	48767GT	SLEEVE,NYLON,1.42 ID.....33-inches protective hose sleeve, 1.42" diameter	
--	77103GT	SLEEVE,NYLON,3.13 ID.....27-inches protective hose sleeve, 3.13" diameter	
1	48907GT	ELBOW,45D,520320-4.....	2
2	49119-2278GT	HOSE ASSY,1/4,STR FEM,STR FEM.....	2
3	49121-25688GT	HOSE ASSY 1/4,STR FEM,STR MALE..	2
4	48912GT	CONN,520120-4-6***.....	1
5	49119-26078GT	HOSE ASSY,1/4,STR FEM,STR FEM.....1 to SN Z452509A-38910	
--	49119-26078GT	HOSE ASSY,1/4,STR FEM,STR FEM from SN Z452509A-38911	
6	48767GT	SLEEVE,NYLON,1.42 ID.....7-inches	
6	49119-27478GT	HOSE ASSY,1/4,STR FEM,STR FEM.....1 to SN Z452509A-38910	
--	49119-27478GT	HOSE ASSY,1/4,STR FEM,STR FEM from SN Z452509A-38911	
7	48917GT	CONN,LONG,520122-6.....	2
8	48890GT	FITTING,TEE,BRANCH,520429-4***.....	2
9	49120-35381GT	HOSE ASSY 1/4, STR FEM,STR FEM.....	2
10	48905GT	CONN,520120-4***.....	21
11	49119-39378GT	HOSE ASSY,1/4,STR FEM,STR FEM.....	2
12	49119-36178GT	HOSE ASSY,1/4,STR FEM,STR FEM.....	1
13	49119-16178GT	HOSE ASSY,1/4,STR FEM,STR FEM.....	2
14	49119-38578GT	HOSE ASSY,1/4,STR FEM,STR FEM.....	2
15	49119-37678GT	HOSE ASSY,1/4,STR FEM,STR FEM.....	1
16	49117-14391GT	HOSE ASSY,1/4,90 FEM,STR FEM.....	2
17	48923GT	PLUG,090109A-6.....	2

807.1 Boom Components, Z-45/25J



Item	Part No.	Description	Qty.
--		<i>The hose lengths below reflect the length of the hose only. Refer to the 'Fittings Cross Reference' to match Genie part numbers to Parker part numbers.</i>	
--	28678GT	SLEEVE,NYLON,2" I.D.,BULK(100').18-inches protective hose sleeve, 2.00" diameter	
--	48767GT	SLEEVE,NYLON,1.42 ID.....25-inches protective hose sleeve, 1.42" diameter	
--	77103GT	SLEEVE,NYLON,3.13 ID.....48-inches protective hose sleeve, 3.13" diameter	
1	139099GT	HOSE ASSY, 1/4", 22.00.....2	
2	48904GT	ELBOW,90D,520220-4-4.....2	
3	48905GT	CONN,520120-4***.....27	
4	49121-27788GT	HOSE ASSY 1/4,STR FEM,STR MALE..2	
5	48767GT	SLEEVE,NYLON,1.42 ID.....26-inches	
5	49119-4178GT	HOSE ASSY,1/4,STR FEM,STR FEM.....2	
6	48912GT	CONN,520120-4-6***.....1	
7	48767GT	SLEEVE,NYLON,1.42 ID.....7-inches	
7	49121-2088GT	HOSE ASSY 1/4,STR FEM,STR MALE..2	
8	48917GT	CONN,LONG,520122-6.....2	
9	49119-20578GT	HOSE ASSY,1/4,STR FEM,STR FEM.....1	
10	49119-21878GT	HOSE ASSY,1/4,STR FEM,STR FEM.....1	
11	48890GT	FITTING,TEE,BRANCH,520429-4***.....2	
12	49120-35381GT	HOSE ASSY 1/4, STR FEM,STR FEM.....2	
13	49119-2278GT	HOSE ASSY,1/4,STR FEM,STR FEM.....2	
14	54132GT	ELBOW,SWIVEL 90D, 520221-4.....2	
15	49119-39378GT	HOSE ASSY,1/4,STR FEM,STR FEM.....2	
16	49119-36178GT	HOSE ASSY,1/4,STR FEM,STR FEM.....1	
17	48923GT	PLUG,090109A-6.....2	
18	49119-16178GT	HOSE ASSY,1/4,STR FEM,STR FEM.....2	
19	49119-38578GT	HOSE ASSY,1/4,STR FEM,STR FEM.....2	
20	49119-37678GT	HOSE ASSY,1/4,STR FEM,STR FEM.....1	
21	49117-14391GT	HOSE ASSY,1/4,90 FEM,STR FEM.....2	
22	48907GT	ELBOW,45D,520320-4.....2	

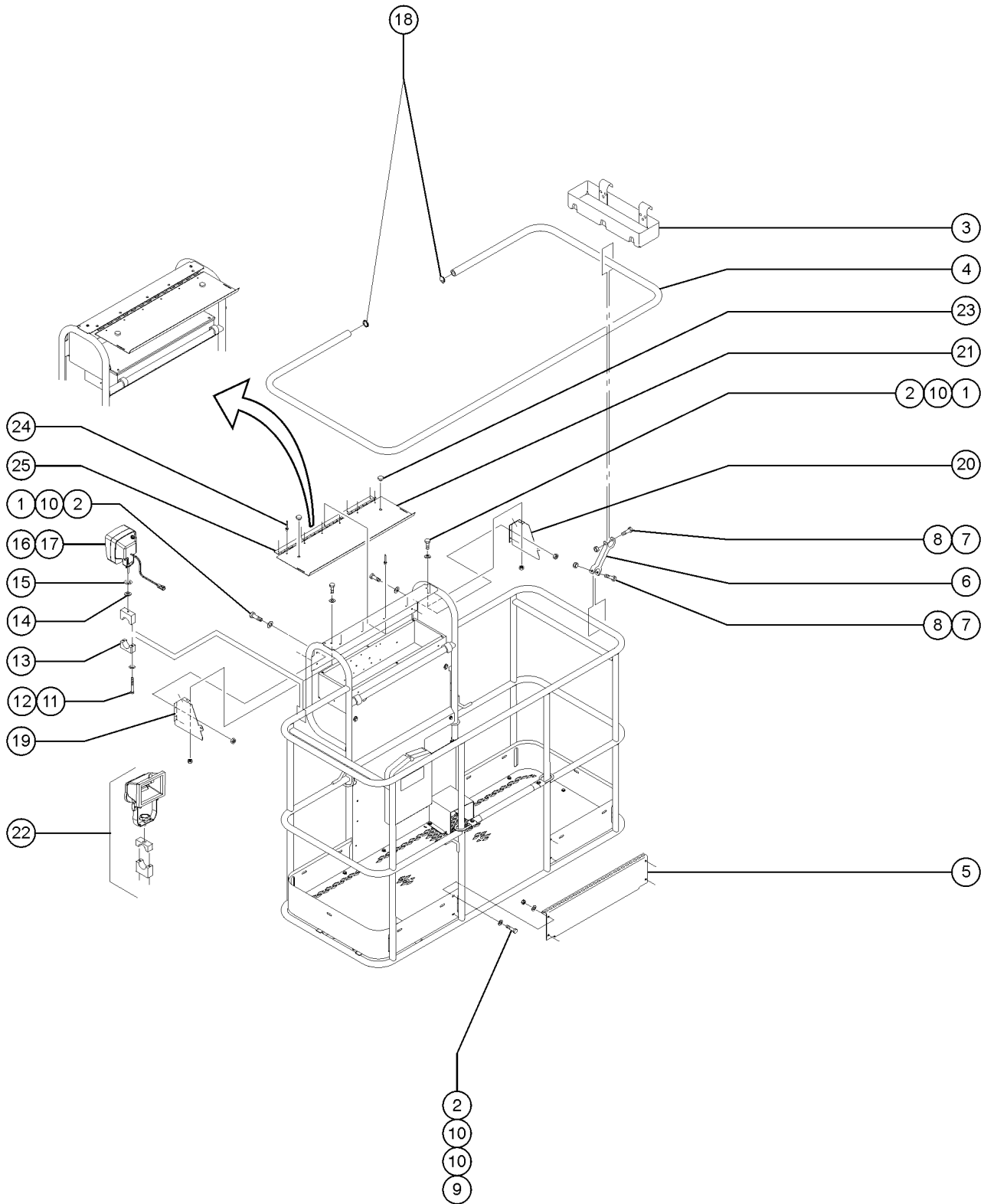
901.1 Alarm and Beacon Package



901.1 Alarm and Beacon Package

Item	Part No.	Description	Qty.
--	60047-SGT	ALARM PKG,ACC.Z45 IC	
1	49817GT	SCREW,PHILLIPS,PHM,10-32 X1.25	
2	45462GT	ALARM,CHIME TONE 5-25VDC***1 <i>Does not include 72326 nut</i>	
--	72326GT	NUT - PLASTIC,RING FOR ALARMS.....1	
3	18963GT	ALARM,INTERMITTENT TONE 6-30V*...1 <i>Does not include 72326 nut</i>	
3	72326GT	NUT - PLASTIC,RING FOR ALARMS.....1	
4	6178GT	NUT,NYLOCK,10-32	
5	35461GT	WASHER,FLAT,MS,#8,Y	
6	56704GT	STROBE,FIREBOLT,12-80VDC,AMB**...1	
--	122019GT	FLASHTUBE,U SHAPED,360DEG,BULB	
--	226393GT	FLASHTUBE,STRAIGHT,360DEG,BULB	
--	72282GT	LENS,AMBER,STROBE,FIREBOLT	

902.1 Platform Options

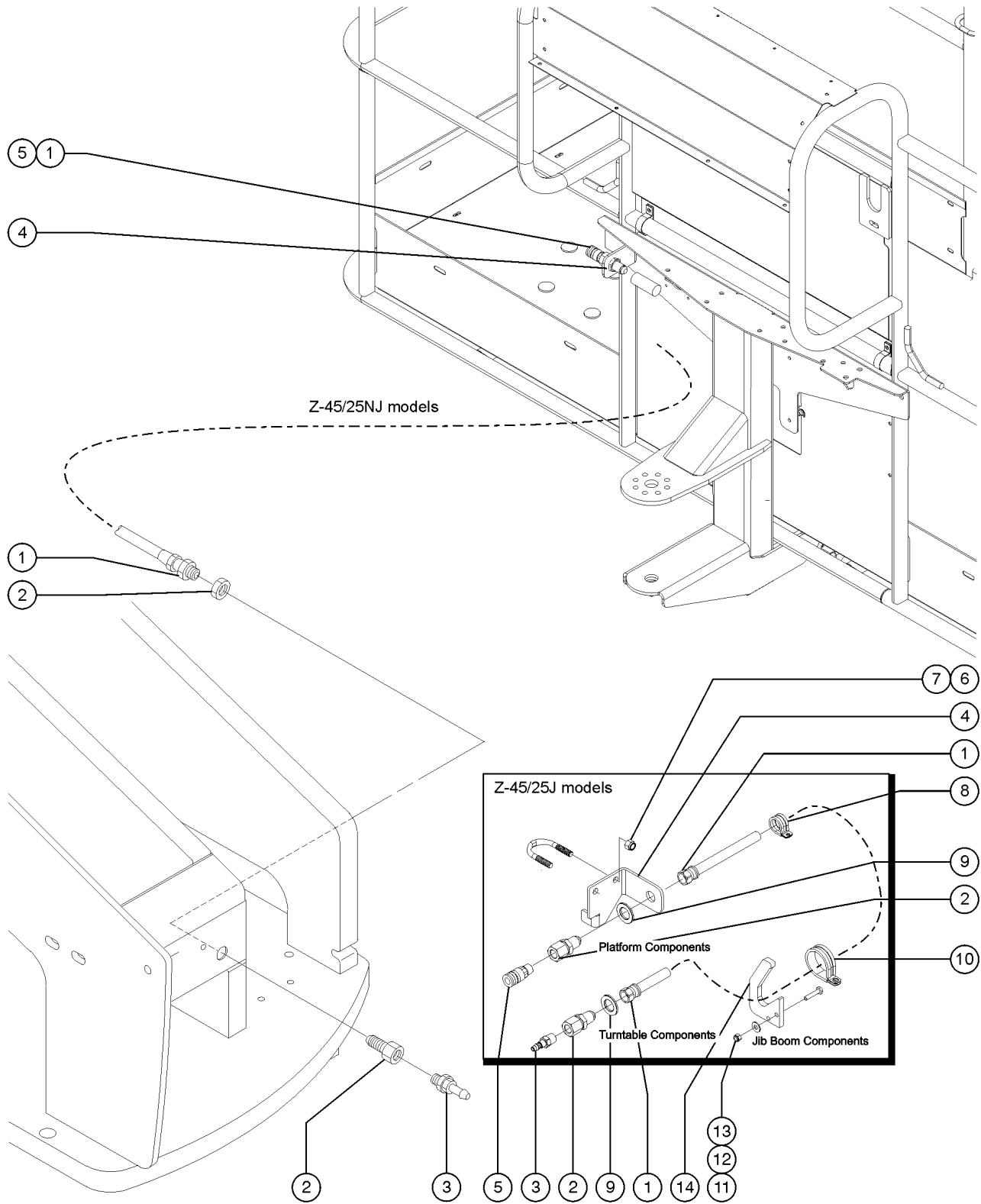


902.1 Platform Options

Item	Part No.	Description	Qty.	Item	Part No.	Description	Qty.
--	53157-SGT	PINCH GUARD,6'(1.31")SERVICE**		--	30468GT	LATCH,SLIDE, FLUSH MOUNT STYLE.....	2
--	53808-SGT	AUX TOP RAIL,6'(1.25")SERVICE				(not included - sold seperately)	
--	88609-SGT	CONTROL BOX COVER ASSY*** <i>includes mounting fasteners</i>		22	1284764GT	WORKLIGHT,110V,250WATT,HALOGEN.2	
--	60922GT	OPTION,EURO TOEBOARD <i>includes item 2, 5, 9 and 10</i>		23	34619GT	BUMPER,RUBBER***.....	2
--	53807-SGT	AUX TOP RAIL,8'(1.25")SERVICE		24	54486GT	RIVET,ALUM,ALUM,3/16BUTTONHEAD	
--	122278GT	AUX TOP RAIL,6',SWG GT, SRV		25	111526GT	HINGE,PLAT CONTROL BOX COVER...1	
--	122279GT	AUX TOP RAIL,8',SWG GT, SRV					
--	T109328GT	ACC,PLAT CONTROL COVER, SERV					
1	7339GT	SCREW,HHC,1/4-20 X .5					
2	6091GT	NUT,NYLOCK,1/4-20					
3	9599-SGT	TOOL TRAY ACCESSORY***.....	1				
--	7746PGT	TOOL TRAY BRACKET (GRAY) **.....	2				
4	28329GT	RAILING,PINCH GAURD,4 FT.....	1				
--	28328GT	RAILING,PINCH GAURD,5 FT.					
5	94745PGT	TOEBOARD,ENTRY EUROPEAN PNTD**.....	1				
6A	122073GT	SUPPORT, RAILING.....	20				
		<i>(from SN 34909)</i>					
6B	139958GT	KIT, AUX TOP RAIL SUPPORT <i>(to SN 34908)</i>					
7A	4266GT	SCREW,HHC,1/4-20 X 2 <i>(from SN 34909)</i>					
7B	122231GT	SCREW,BHSC,1/4-20 X 1 <i>(to SN 34908)</i>					
8	6889GT	NUT,LP NYLOCK,1/4-20					
9	8914GT	SCREW,HHC,1/4-20 X .625					
10	6638GT	WASHER,FLAT,USS,1/4"Y					
11	6356GT	WASHER,LOCK,.25					
--	147532GT	HARNES,DRIVE LIGHT OPTION <i>(from SN Z4510A-39314 and from Z4510B-1488)</i>					
12	6145GT	SCREW,HHC,1/4-20 X 1.5					
13	35956GT	BRACKET,WORK LIGHT MOUNT 5/16".....	2				
14	5397GT	WASHER,FLAT,USS,5/16",Y					
15	6886GT	WASHER,LOCK,.313					
16	13002GT	SCREW,HHC,5/16-18 X 1 GR5					
17	107857GT	LIGHT, 12 VOLT.....	2				
--	35960GT	BULB,WORKLIGHT,12V 35W					
18	55753GT	BUMPER, PLASTIC, 1.25 O.D.....	2				
19	88607PGT	COVER,CONTROL BOX LEFT SIDE***.....	1				
20	88606PGT	COVER,CONTROL BOX RIGHT SIDE**.....	1				
21	102785PGT	CONTROL BOX COVER,LID,PTD.....	1				



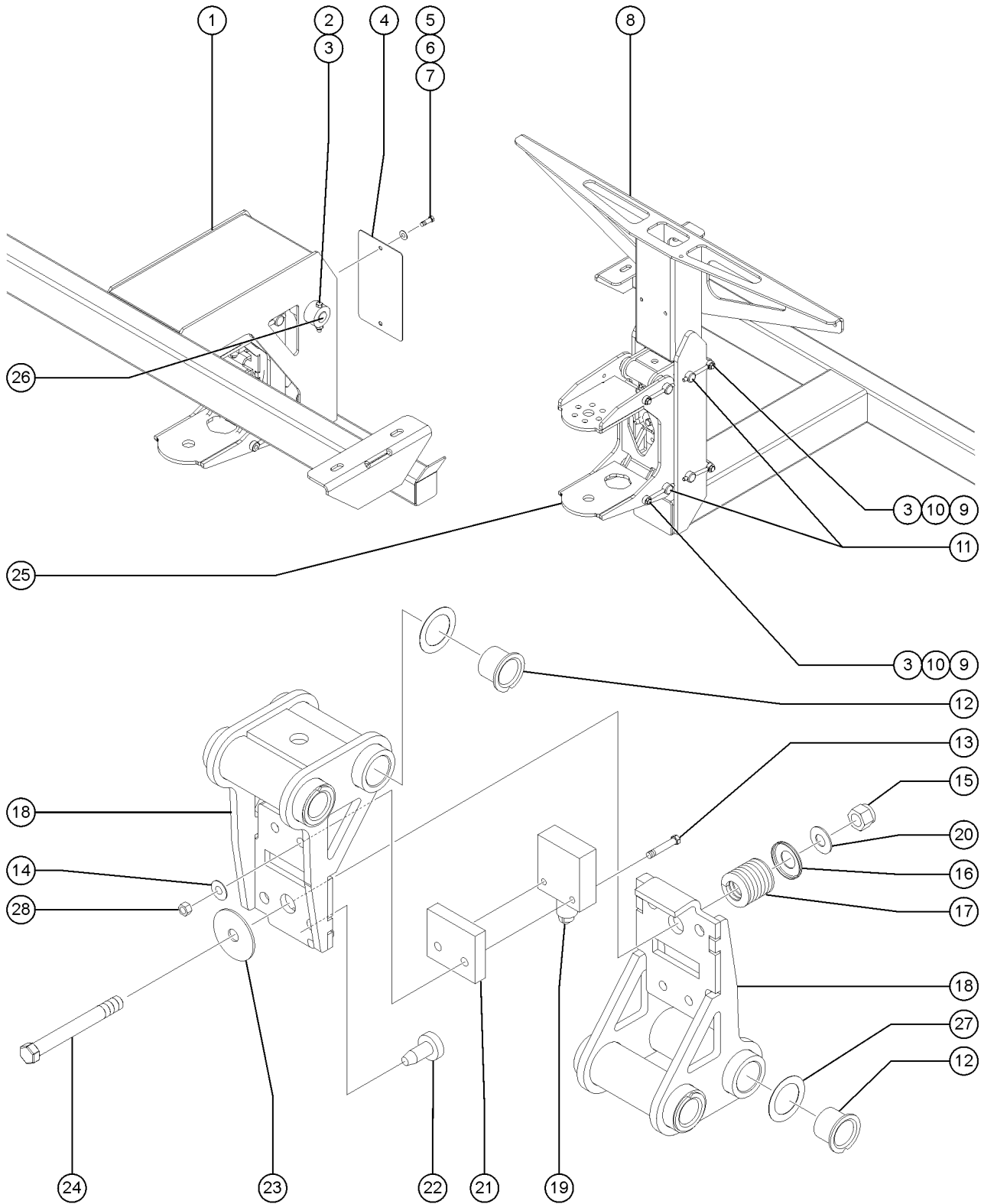
904.1 Air Line to Platform



904.1 Air Line to Platform

Item	Part No.	Description	Qty.
1	70644-75792GT	HOSE ASSY,3/8 STR FEM STR FEM*....1	
--	16073GT	CLAMP,0.63,#10 X 1/4,RUB CUSH	
2	49212GT	FEMALE BULKHEAD CONNECTOR-8...2	
3	49214GT	MALE PIPE THD,1/4" SER,3/8"X18.....1	
4	70642PGT	BRACKET,AIR HOSE TO PLAT PAINT....1	
5	49215GT	MPT,CPLR,1/4"SER,3/8"X18.....1	
6	4828GT	NUT,NYLOCK,3/8-16	
7	122755GT	UBOLT,FLATTENED,1.5DIAX3/8 UNC	
8	13268GT	CLAMP,0.75,#12 X 1/4,RUB CUSH.....1	
9	33278GT	WASHER,FLAT,.75 HARDENED	
10	45454GT	CLAMP,RUB CUSH,0.75,#12 X 3/8*1	
11	6091GT	NUT,NYLOCK,1/4-20	
12	6638GT	WASHER,FLAT,USS,1/4"Y	
13	8915GT	SCREW,HHC,1/4-20 X 1.25	
14	128482GT	HOSE GUIDE, JIB.....1	

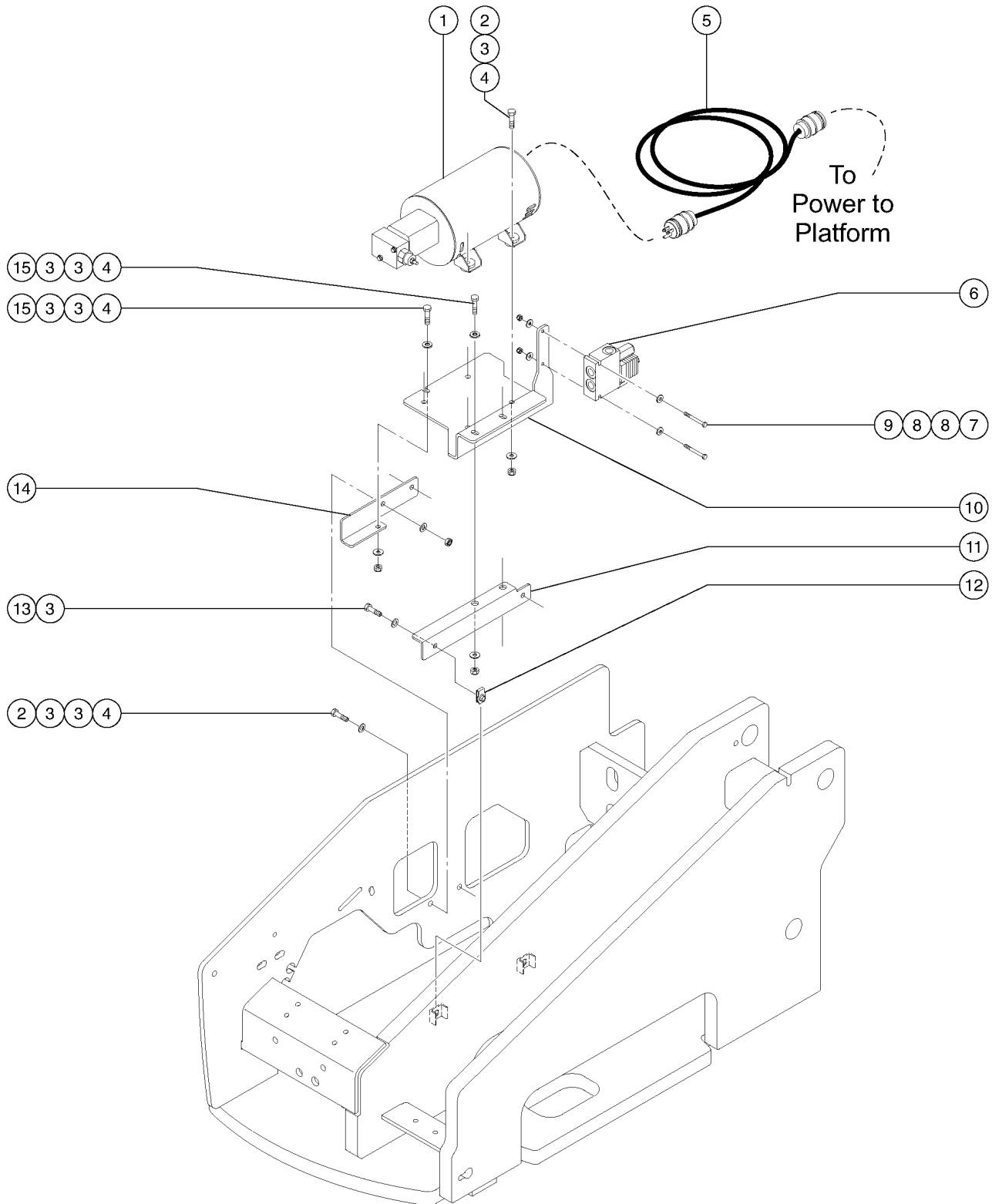
905.1 Platform Overload Option



905.1 Platform Overload Option

Item	Part No.	Description	Qty.
--	128045GT	MODULE,LOAD SENSE 2007	
--	128045GT	MODULE,LOAD SENSE 2007	
1	98154GT	WELDMENT,PLAT SUPPORT,LS.....1 <i>Z4525; non-jib models</i>	
2	4266GT	SCREW,HHC,1/4-20 X 2	
3	6091GT	NUT,NYLOCK,1/4-20	
4	94492PGT	PANEL,ACCESS PAINTED.....1	
5	6090GT	SCREW,HHC,1/4-20 X .75	
6	6638GT	WASHER,FLAT,USS,1/4"Y	
7	56912GT	SPRING CLIP,1/4-20,.025-.15X.54,ZAG	
8	61998GT	WELDMENT,PLATFORM SUPPORT.....1 <i>Z4525J</i>	
9	6888GT	SCREW,HHC,1/4-20 X 1	
10	45748GT	ROD END,.250 X 2.75 LG	
11	61726GT	PIN,0.75DIAX5.75LG,CHAMFER.....4	
--	94643GT	ZERK,GREASE,5/16-24,STRAIT	
12	25685GT	BEARING,GARLOCK,12FDU12.....8	
13	73634GT	SCREW,PHIL,PHM,10-24X1.5 ZINC	
14	6146GT	WASHER,FLAT,MS,#10,Y	
15	4828GT	NUT,NYLOCK,3/8-16	
16	61975GT	RETAINER,SPRING,1.21 X .375.....1	
17	61974GT	SPRING,COMP,1" OD,232 LB/IN.....1	
18	101512GT	LOAD SUPPORT WITH BEARINGS.....2 <i>includes item 12</i>	
19A	94642GT	SWITCH,LOAD LIMIT <i>(to SN Z452510A-39313 and Z452510B-1487) Z-45/25</i>	
19B	147786GT	ASSY, LS, LOAD SENSE, 89 IN <i>(from SN Z452510A-39314 and Z452510B-1488) Z-45/25</i>	
19C	94549GT	SWITCH,LOAD LIMIT.....1 <i>(to SN Z452510A-39313 and Z452510B-1487) Z-45/25J</i>	
19D	121848GT	ASSY,LS,LOAD SENSE,38.5 IN <i>(from SN Z452510A-39314 and Z452510B-1488) Z-45/25J</i>	
20	6097GT	WASHER,FLAT,USS,3/8",Y	
21	61972GT	MOUNT,SWITCH.....1	
22	34619GT	BUMPER,RUBBER***.....1	
23	15086GT	WASHER,FLAT,.375 X 1.5 X .125	
24	21604GT	SCREW,HHC,3/8-16 X 3.25	
25	61987GT	WELDMENT,ROTATOR MOUNT.....1	
26	99174GT	PIN,0.75DIAX8.75LG,CHAMFER.....2	
--	94643GT	ZERK,GREASE,5/16-24,STRAIT	
27	110789GT	WASHER,SHIM .0151 THK.....as-needed	
28	5365GT	NUT,NYLOCK,10-24	

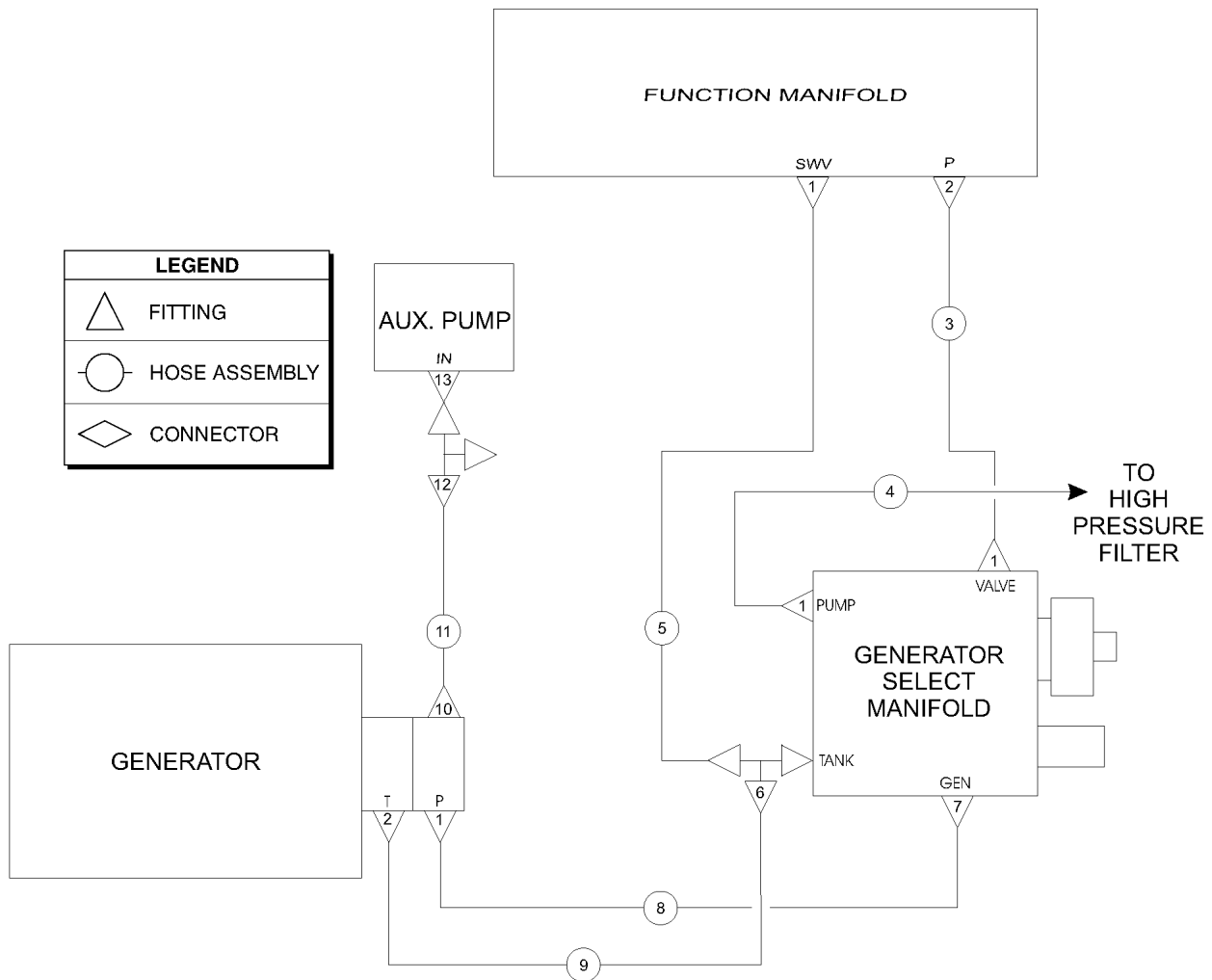
906.1 Hydraulic Generator Option - Gas/LPG Models



906.1 Hydraulic Generator Option - Gas/LPG Models

Item	Part No.	Description	Qty.	Item	Part No.	Description	Qty.
--	119095GT	GEN.OPT.FORD,110V/3000W Z45DSG		--	T111613GT	SHAFT,MOTOR <i>for pump</i>	
--	119096GT	GEN.OPT.FORD,220V/2500W Z45DSG		2	8516GT	SCREW, HCC, 3/8-16 X 1.50	
1A	111381GT	GEN,HYD,3000W,110V,60HZ.....1 <i>includes rubber isolators</i>	1	3	5397GT	WASHER,FLAT,USS,5/16",Y	
--	147836GT	SEAL, GASKET, .00075" *GOLD*		4	4828GT	NUT,NYLOCK,3/8-16	
--	147837GT	SEAL, GASKET, .0005" *SILVER*		5	77247GT	POWER TO PLAT,CORD ASSY.....1	
--	147838GT	SEAL, GASKET, .0010"		--	119403GT	CONN,PLUG 120 AC/15A DOMESTIC	
--	147839GT	ASSM, GEN. ONLY, 110V, 60HZ		--	119404GT	CONN,RECEP 120AC/15A DOMESTIC	
--	32732GT	RECTIFIER ASSEMBLY		--	43956-7200GT	WIRE CABLE,14GA/3 CON.TPE JKT	
--	52001GT	HYDRAULIC MOTOR 3000W GENER		6	28675GT	MANIFOLD,ASSY,GENERATOR.....1	
--	58402GT	BRIDGE,50A FULL WAVE**		--	19970GT	VALVE,SOLENOID (18660)	
--	58944GT	BRUSH 3/8 X 1/4 X 15/16(36928)		--	44950GT	VALVE,RELIEF,1500 PSI***	
--	58954GT	O-RING,SPACER #115***		--	54698GT	MANIFOLD,GENERATOR,W/OUT FIT	
--	65841GT	PRIORITY FLOW CONTROL VALVE*** <i>for 3000W generators</i>		7	6884GT	SCREW,HHC,1/4-20 X 2.5	
--	89718GT	BRUSH ENDBELL ASSEMBLY (35659)		8	6638GT	WASHER,FLAT,USS,1/4"Y	
--	T111608GT	SEAL,RETAINING RING		9	6091GT	NUT,NYLOCK,1/4-20	
--	T111609GT	SEAL,SHAFT		10	119236PGT	FORMING,GENERATOR MOUNT,PTD.....1	
--	T111610GT	SPACER		11	119237PGT	FORMING,GENERATOR SUPPORT,PTD.....1	
--	T111611GT	BEARING,MOTOR		12	29868GT	SPRING CLIP,3/8-16,.05-.20X.73,ZAG	
--	T111612GT	RETAINING RING		13	6175GT	SCREW,HHC,3/8-16 X 1	
--	T111613GT	SHAFT,MOTOR		14	119516PGT	FORMING,GENERATOR GUIDE,PTD....1	
1B	36928GT	GENERATOR,2500W HYD.220/50HZ.....1 <i>includes rubber isolators</i>	1	15	6019GT	SCREW,HHC,3/8-16 X 1.25 GRD 5	
--	147836GT	SEAL, GASKET, .00075" *GOLD* <i>for pump</i>					
--	147837GT	SEAL, GASKET, .0005" *SILVER* <i>for pump</i>					
--	147838GT	SEAL, GASKET, .0010" <i>for pump</i>					
--	32732GT	RECTIFIER ASSEMBLY					
--	32735GT	VALVE,PRI. FLOW REG 4.3 <i>for 2000W & 2500W generators</i>					
--	52086-RGT	MOTOR -HYD.2500W GENER REFURB.					
--	58402GT	BRIDGE,50A FULL WAVE**					
--	58944GT	BRUSH 3/8 X 1/4 X 15/16(36928)					
--	58954GT	O-RING,SPACER #115***					
--	89719GT	BRUSH ENDBELL ASSEMBLY (89719)					
--	T111608GT	SEAL,RETAINING RING <i>for pump</i>					
--	T111609GT	SEAL,SHAFT <i>for pump</i>					
--	T111610GT	SPACER <i>for pump</i>					
--	T111611GT	BEARING,MOTOR <i>for pump</i>					
--	T111612GT	RETAINING RING <i>for pump</i>					

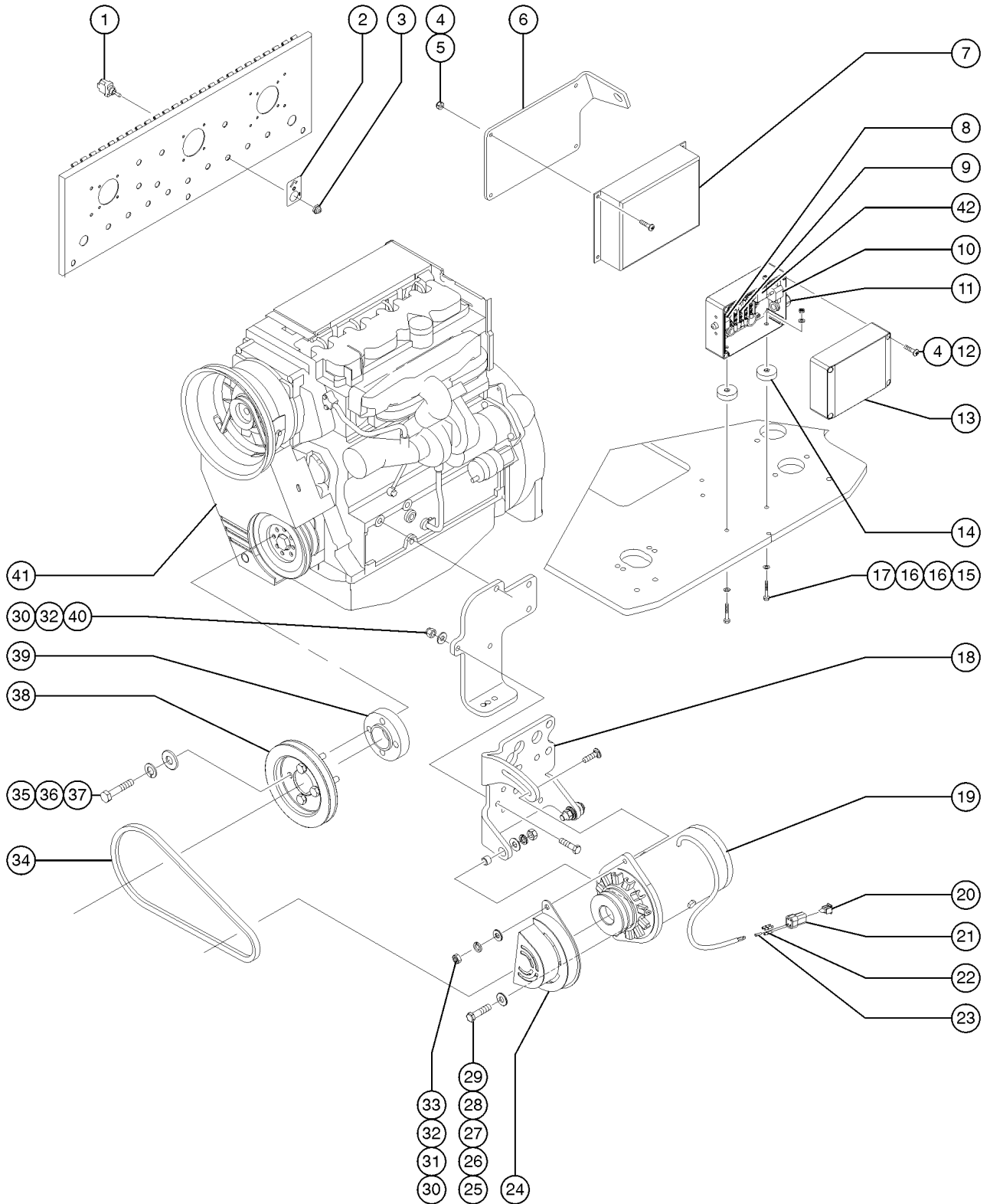
907.1 Hydraulic Hoses and Fittings - Generator Option



907.1 Hydraulic Hoses and Fittings - Generator Option

Item	Part No.	Description	Qty.
1	48933GT	CONN,520120-8***.....	4
2	48946GT	CONN,520120-8-10.....	2
3	75278-5129GT	HOSE ASSY,1/2,90 FEM,STR FEM**.....	1
4	75278-4579GT	HOSE ASSY,1/2,90 FEM,STR FEM.....	1
5	49183-6492GT	HOSE ASSY,1/2,STR FEM.STR FEM.....	1
6	48935GT	TEE,RUN,520428-8.....	1
7	48932GT	FITTING,ELBOW,90D,520220-8***.....	1
8	75278-2054GT	HOSE ASSY,1/2,90 FEM,STR FEM.....	1
9	49143-1504GT	HOSE ASSY,1/2,90 FEM,STR FEM.....	1
10	48905GT	CONN,520120-4***.....	1
11	49163-1844GT	HOSE ASSEMBLY,1/4".....	1
12	48875GT	TEE,RUN,SWIVEL,520432-6.....	1
13	48915GT	ELBOW,90D,520220-6.....	1

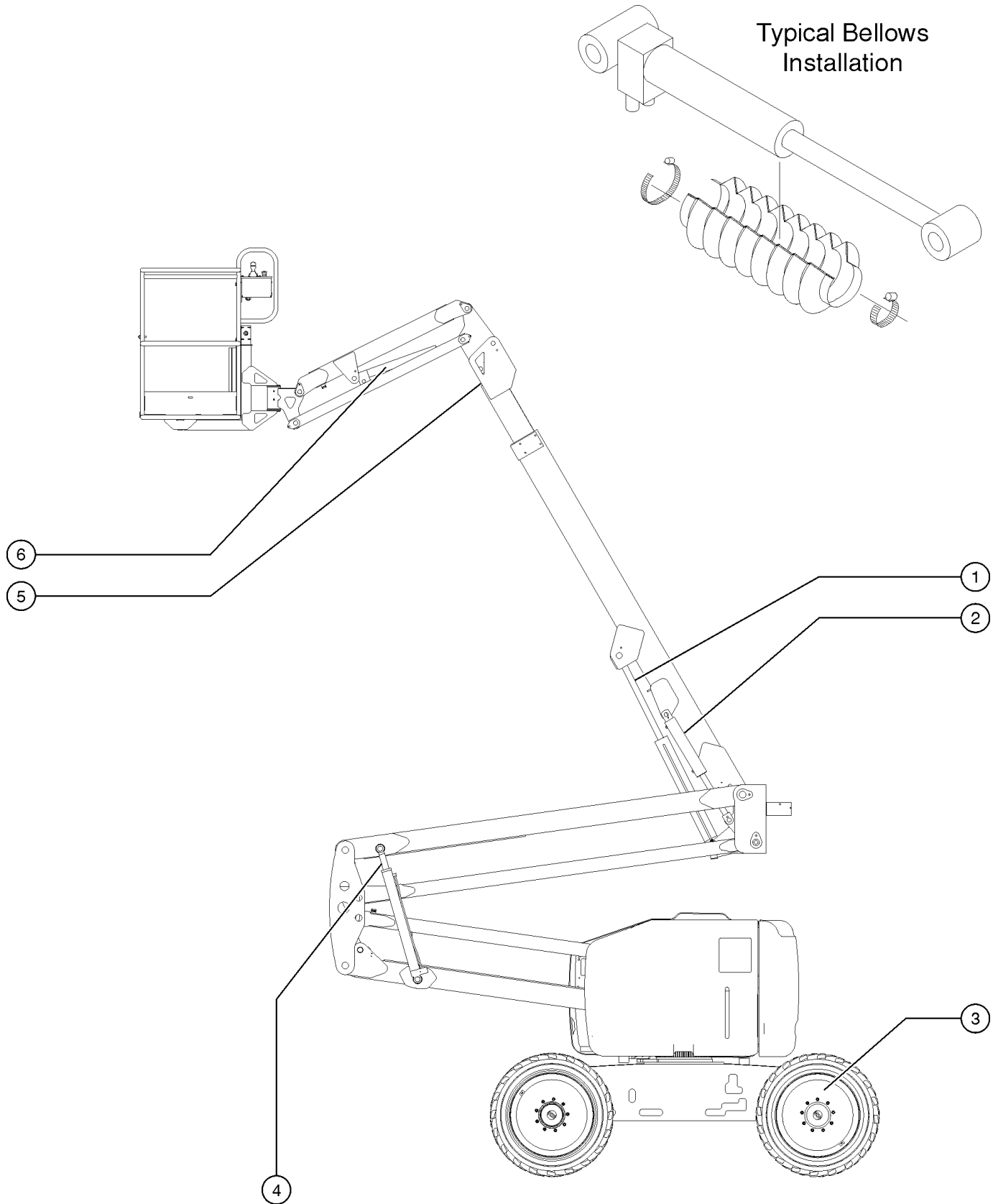
908.1 Belt Driven Generator - Diesel Models



908.1 Belt Driven Generator - Diesel Models

Item	Part No.	Description	Qty.	Item	Part No.	Description	Qty.
E	106030GT	HARNESS, BD GEN.110V/60HZ Z45D <i>Deutz models</i>		26	45400GT	SPACER TUBE,.50 LG.....1	1
F	106566GT	HARNESS, BD GEN.220V/50HZ Z45D <i>Deutz models</i>		27	6097GT	WASHER,FLAT,USS,3/8",Y	
G	101939GT	HARNESS, BD GEN.110V/60HZ Z45P <i>Perkins models</i>		28	20912GT	WASHER,LOCK,.437,PLTD.	
H	106565GT	HARNESS, BD GEN.220V/50HZ Z45P <i>Perkins models</i>		29	11210GT	NUT,NYLOCK,7/16-14	
1	128204GT	SWITCH TOGGLE ASSY SPDT 2P MNT.....1	1	30	4828GT	NUT,NYLOCK,3/8-16	
2	32728GT	DECAL,OPTION GENERATOR***.....1	1	31	6021GT	WASHER,LOCK,.375	
3	27246GT	BOOT,TOGGLE SWITCH,SHORT*.....1	1	32	5397GT	WASHER,FLAT,USS,5/16",Y	
4	6178GT	NUT,NYLOCK,10-32		33	60790GT	BOLT, CARRIAGE, 3/8-16 X 1.50, G5	
5	49826GT	SCREW,PHILLIPS,PHM,10-32 X.625		34	106535GT	BELT,AX33***.....2	2
6	70648PGT	BRACKET,GEN.REGULATOR MT PAINT.....1	1	35	25927GT	SCREW,HHC,M10 X 55MM,GRD 8.8	
7A	60738GT	VOLTAGE REGULATOR,110V.....1	1	36	22700GT	WASHER,LOCK,M10	
7B	60739GT	VOLTAGE REGULATOR,220V		37	22699GT	WASHER,FLAT,M10,ZINC PLTD.	
8	60887GT	CIRCUIT BREAKER, 30 AMP.....1	1	38A	70389GT	PULLEY,DEUTZ.....1 <i>single belt models</i>	1
9	69776GT	TERMINAL,STRIP,4-POLE,600V***.....1	1	38B	236460GT	V-BELT DOUBLE PULLEY.....1 <i>double belt models</i>	1
10A	61195GT	CIRCUIT BREAKER, 12.5 AMP.....1 <i>220V models</i>	1	39	81069GT	SPACER,PULLEY,DEUTZ GEN.....1	1
10B	61211GT	CIRCUIT BREAKER,15 AMP.....1 <i>110V & 120V models</i>	1	40	13918GT	SCREW,HHC,3/8-16 X 1.75,GRD.8.....2	2
11	7056GT	CONN,SQUEEZE,1/2NPT .38-.50,SM....1	1	41	106740GT	COVER,REWORK,DEUTZ GENERATOR.....1	1
12	75041GT	SCREW,PHILLIPS,PHM,10-32 X 1		42	61225GT	RELAY,12VDC,70AMP,SEALED.....1	1
13	8425GT	ENCLOSURE,FG ELEC.,STOCK,7X5X4.....1	1				
14	56093GT	WEAR PAD ROUND.....2	2				
15	6637GT	SCREW,HHC,1/4-20 X 1.75					
16	6638GT	WASHER,FLAT,USS,1/4"Y					
17	6889GT	NUT,LP NYLOCK,1/4-20					
18	119533PGT	FORMING,GENERATOR MOUNT,PTD.....1	1				
19A	60707GT	GENERATOR,3500W,120V,60HZ**.....1	1				
--	146062GT	PULLY,GNRTR,120V,60HZ(60707) <i>for 60707 generator</i>					
19B	89908GT	GENERATOR,3000W,220V,50HZ***					
--	102681GT	PULLY, GNRTR,220V,50HZ(89908) <i>for 89908 generator</i>					
20	60528GT	LOCK,PLUG 4 WAY,12-14GA.....1	1				
21	60527GT	CONN,PLUG 4 WAY,12-14GA.....1	1				
22	73712GT	TERM,SOCKET,DEUTSCH,12-14GA....3	3				
23	60757GT	PLUG,SEAL,12-18 GA.....1	1				
24	106531GT	WELDMENT,GENERATOR FAN GUARD.....1	1				
25	128364GT	SCREW, HHC, 7/16-14 X 2, GR 5					

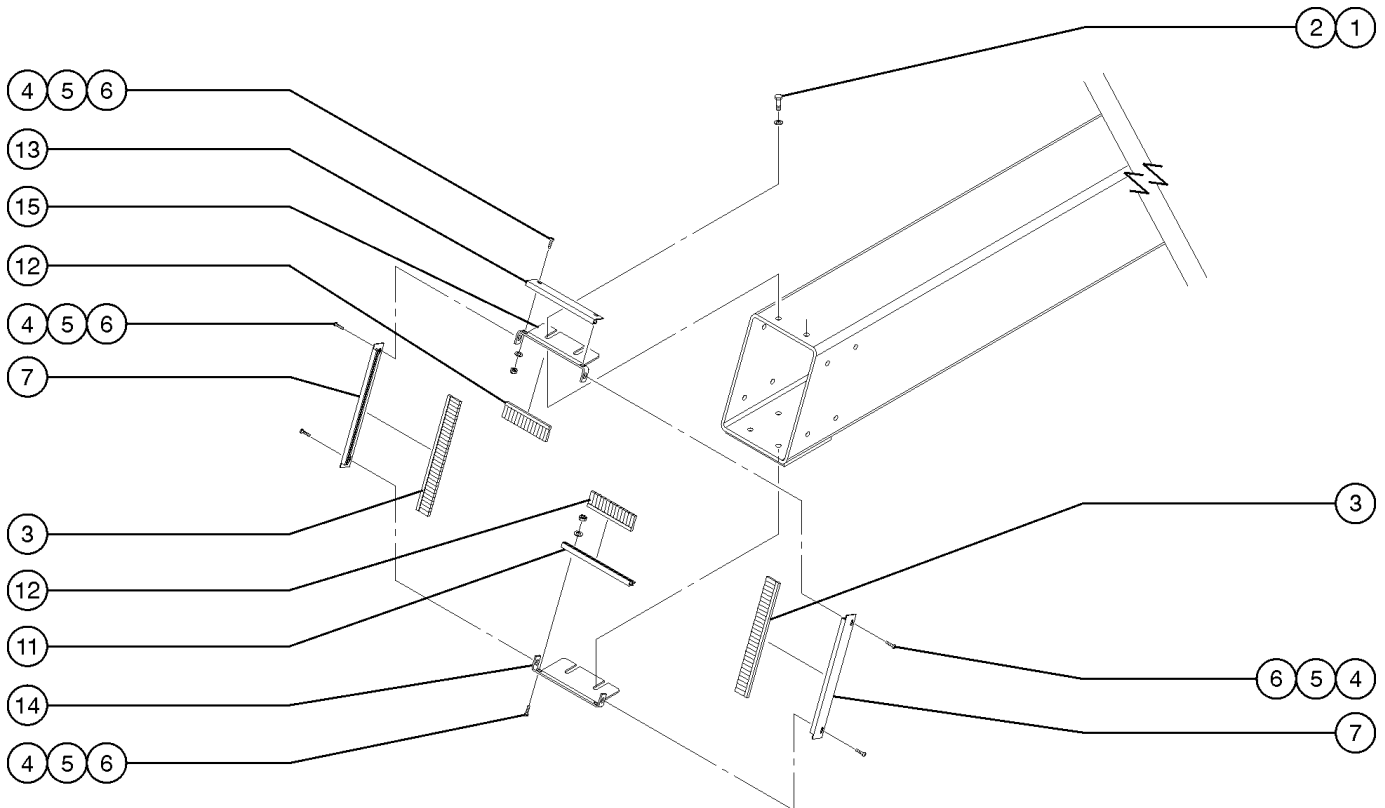
909.1 Hostile Environment Package - View 1



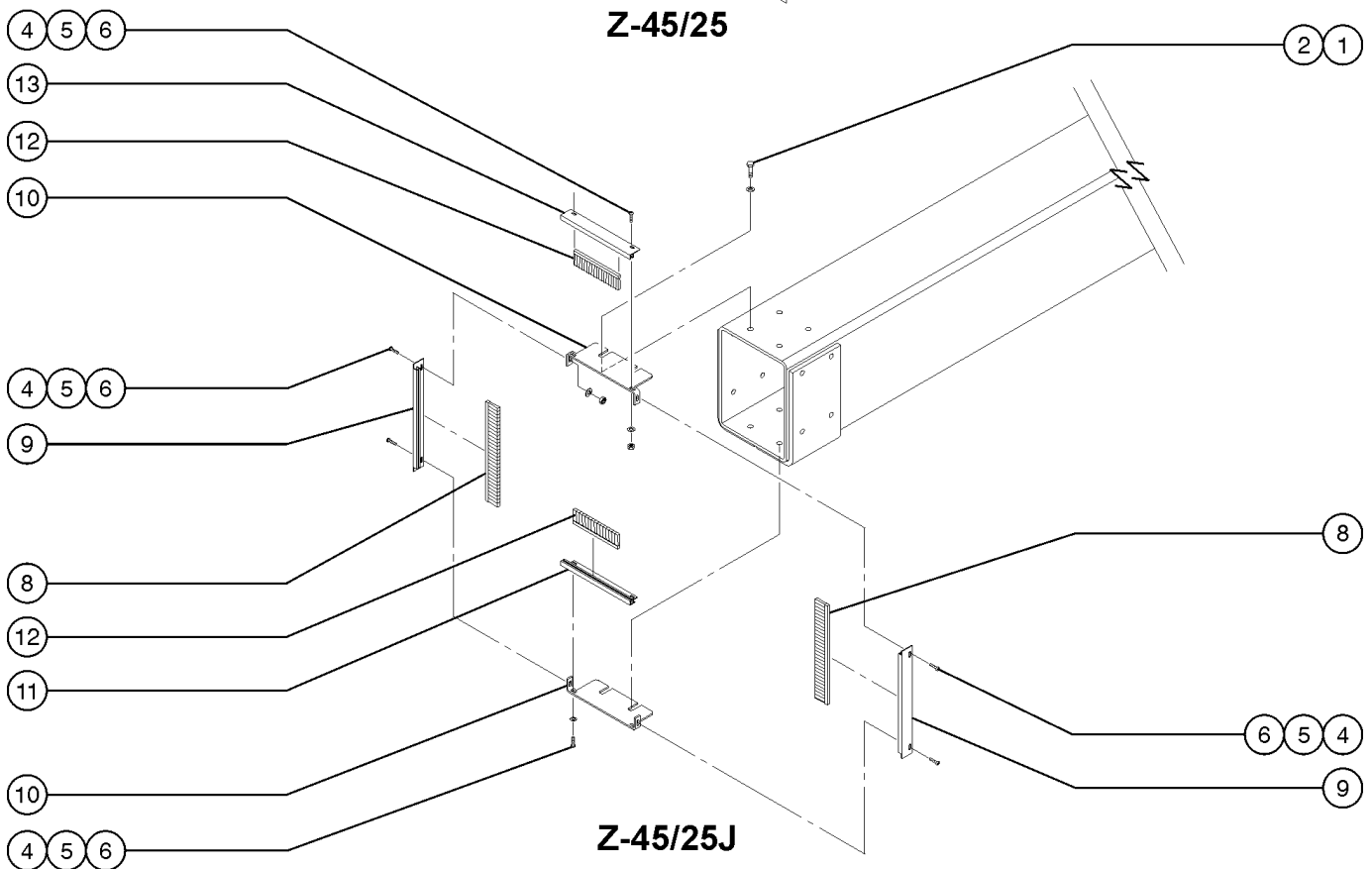
909.1 Hostile Environment Package - View 1

Item	Part No.	Description	Qty.
--	54883GT	BELLOWS,CYL.KIT,Z45&Z51 JIB	
--	54884GT	BELLOWS,CYLINDER KIT,Z45 N/JIB	
1A	54637GT	BELLOWS,PRIMARY CYLINDER,N/JIB.....1	1
1B	54638GT	BELLOWS,PRIMARY CYLINDER,JIB.....1	1
2	54640GT	BELLOWS,MASTER CYLINDER.....1	1
3	54989GT	BELLOWS,STEERING CYLINDER.....1	1
4	54652GT	BELLOWS,SECONDARY,ELEVATE CYL.....1	1
5	54639GT	BELLOWS,SLAVE CYLINDER.....1	1
6	54635GT	BELLOWS,JIB CYLINDER.....1 Z-45/25J	1

910.1 Hostile Environment Package - View 2 (to SN Z452510A-39368)



Z-45/25



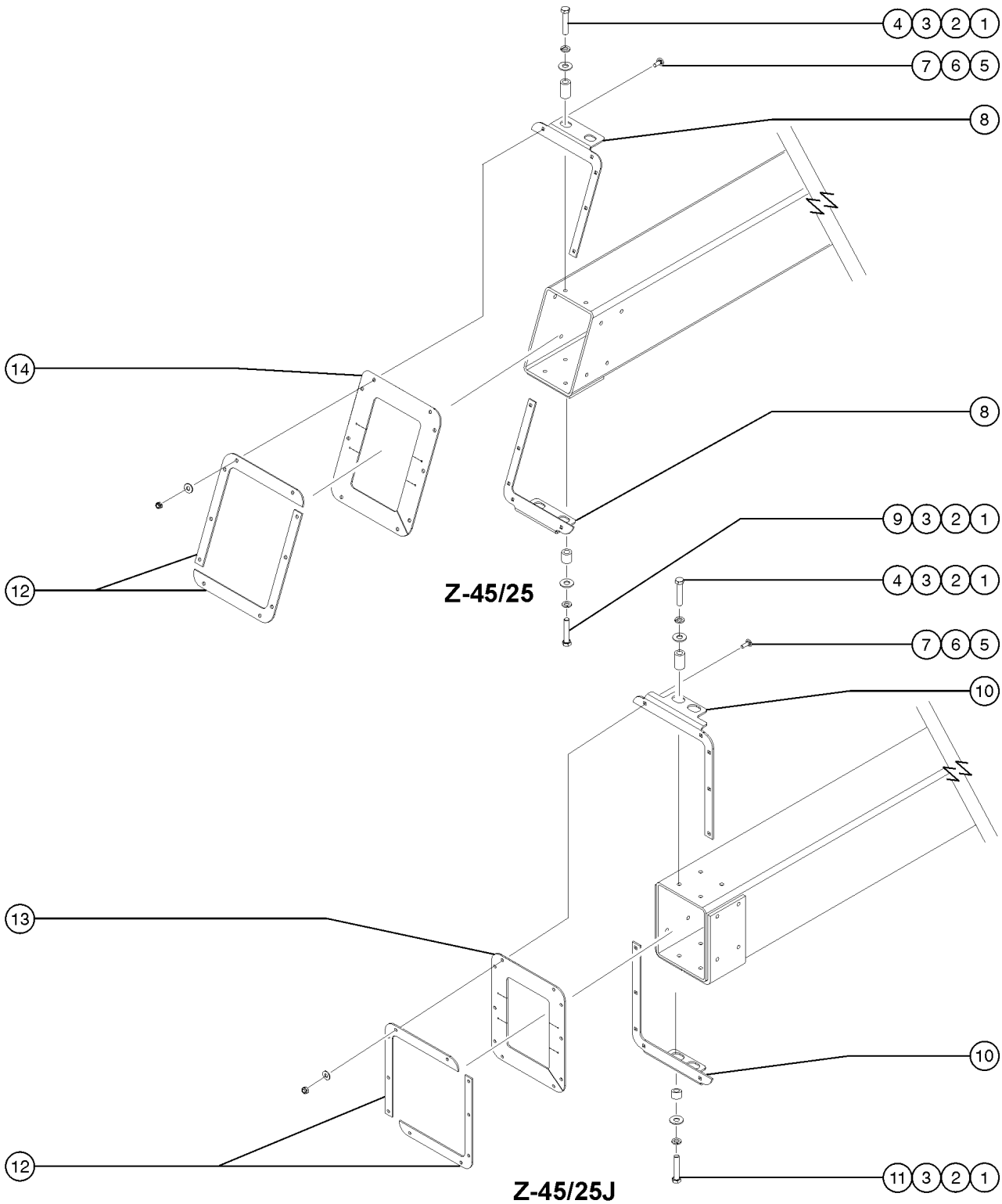
Z-45/25J



910.1 Hostile Environment Package - View 2 (to SN Z452510A-39368)

Item	Part No.	Description	Qty.
1	8255GT	SCREW,HHC,3/8-16 X .75	
2	6097GT	WASHER,FLAT,USS,3/8",Y	
3	54841-0950GT	BRUSH FILAMENT,SEALEZE,9.50"LG...2	
4	56286GT	SCREW,RHM,8-32 X .75	
5	35461GT	WASHER,FLAT,MS,#8,Y	
6	18605GT	NUT,NYLOCK,8-32	
7	54882GT	HOLDER,BRUSH,9.94LG,NON JIB.....2	
8	54841-0888GT	BRUSH FILAMENT,SEALEZE,8.88"LG...2	
9	54878GT	HOLDER,BRUSH,9.25LG,JIB.....2	
10	54876PGT	BRACKET,EXT BOOM SEAL,JIB,PNTD.....2	
11	54877GT	HOLDER,BRUSH,7.19LG,BOTTOM.....1	
12	54841-0463GT	BRUSH FILAMENT,SEALEZE,4.63"LG...2	
13	77275GT	HOLDER,BRUSH,7.19LG,TOP.....1	
14	54881GT	BRKT,EXT.BOOMSEAL,BOTTOM,N/JIB.1	
15	54880GT	BRACKET,EXT.BOOMSEAL, TOP,N/JIB..1	

910.2 Hostile Environment Package - View 2 (from SN Z452510A-39369)



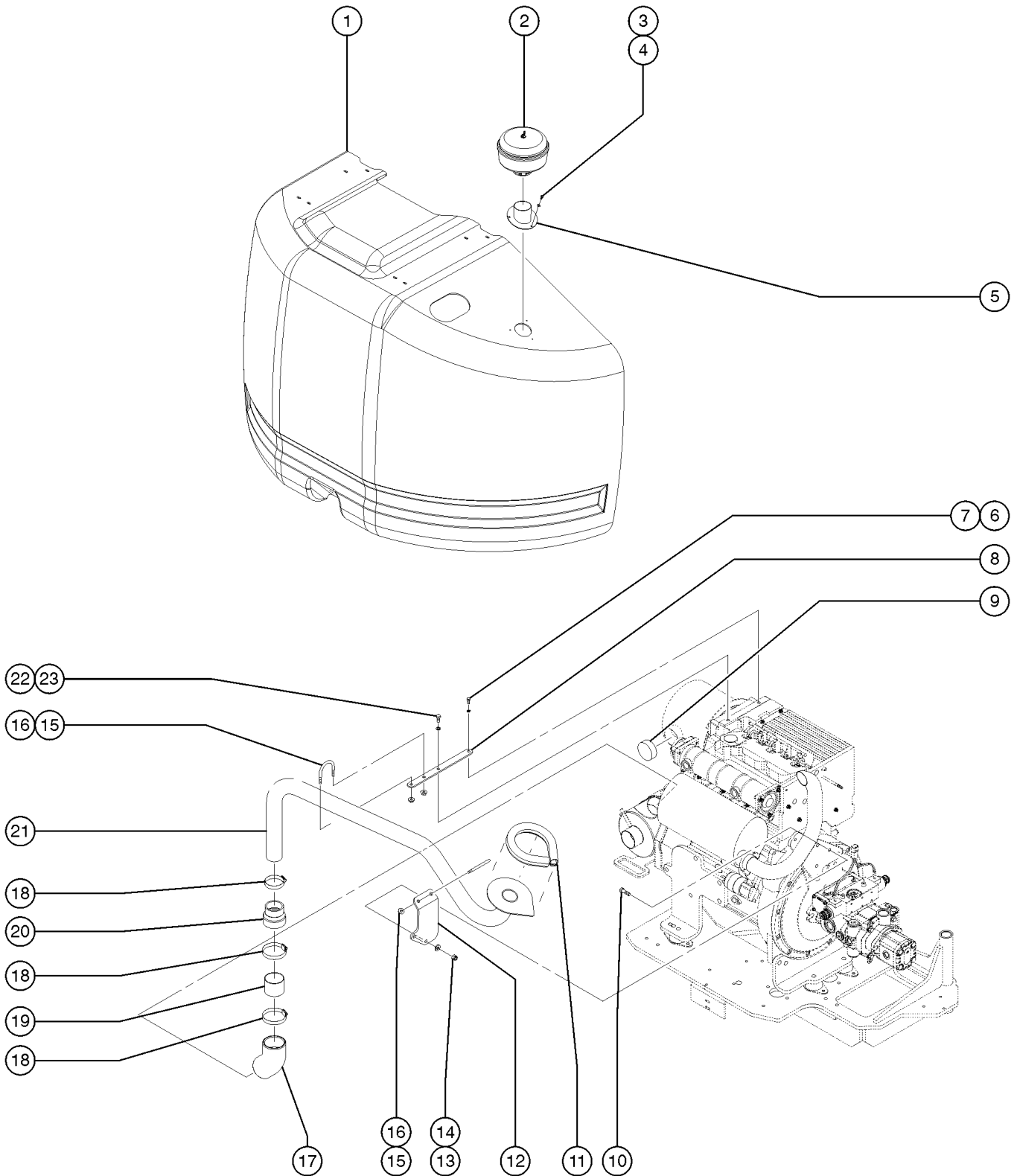
Z-45/25

Z-45/25J

910.2 Hostile Environment Package - View 2 (from SN Z452510A-39369)

Item	Part No.	Description	Qty.
--	147183GT	KIT, WIPER, Z-45/25	
--	147184GT	KIT, WIPER, Z-45/25J	
1	5224GT	SCREW,HHC,3/8-16 X 2	
2	6021GT	WASHER,LOCK, .375	
3	6097GT	WASHER,FLAT,USS,3/8",Y	
4	128852GT	TUBE,RD,STL,DOM,.75X.438X1.25.....2	
5	6878GT	BOLT,CARRIAGE,1/4-20 X .75,G2	
6	6021GT	WASHER,LOCK, .375	
7	6889GT	NUT,LP NYLOCK,1/4-20	
8	147042GT	FORMING WIPER MOUNT.....2	
9	101932GT	TUBE,RD,STL,DOM,.75X.38X.78.....2	
10	147041GT	FORMING WIPER MOUNT.....2	
11	45400GT	SPACER TUBE,.50 LG.....2	
12	128973GT	PLATE,WIPER BACKING.....2	
13	147181GT	WIPER,PRIMARY BOOM.....1	
14	147044GT	WIPER,PRIMARY BOOM.....1	

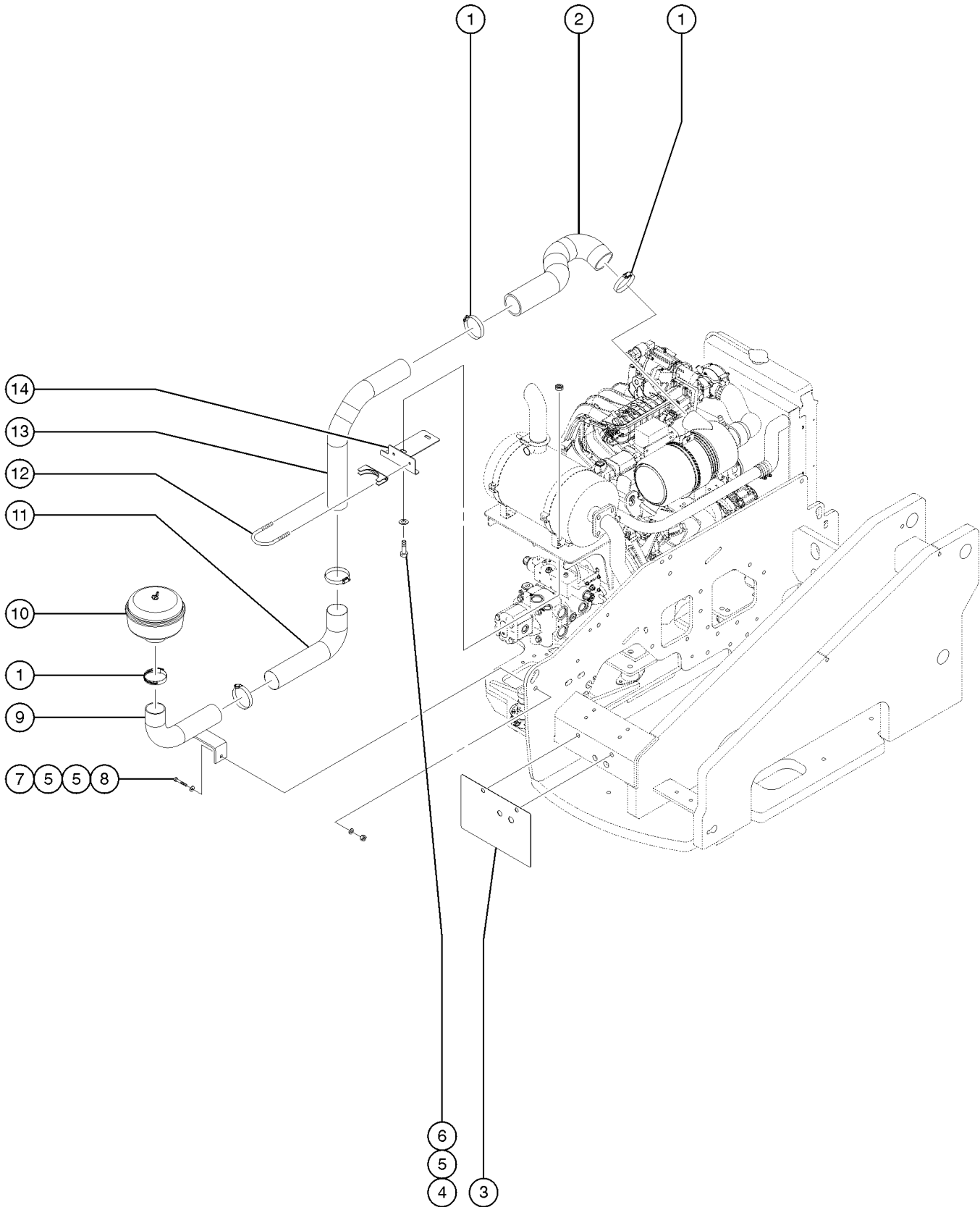
911.1 Hostile Environment Package - Engine Air Pre-cleaners (Deutz)



911.1 Hostile Environment Package - Engine Air Pre-cleaners (Deutz)

Item	Part No.	Description	Qty.
--	110746GT	ASSY,DEUTZ PRE FILTER	
1A	128436GT	COVER ASSY,DTZ HOST ENV,WORD.....	1
1B	128437GT	COVER ASSY,DTZ HOST ENV,SYMB	
2	34959GT	PRECLEANER,AIR INTAKE***.....	1
3	73612GT	SCREW,PHM,10-24X.50,SELF TAP.....	3
4	35461GT	WASHER,FLAT,MS,#8,Y.....	3
5	110301GT	WELDMENT, PRECLEANER MT.....	1
6	49375GT	SCREW,HHC,M6 X 16.....	1
7	44907GT	HOSE,RADIATOR,5/16 ID X 86".....	1
8	110631GT	BRACKET, PRECLEANER TUBE.....	1
9	70529GT	CAP,PLASTIC,2.5 ID.....	1
10	6019GT	SCREW,HHC,3/8-16 X 1.25 GRD 5	
11	60875GT	TRIM MOLDING.....	21-inches
12	110632GT	FORMING, PRECLEANER TUBE.....	1
13	4828GT	NUT,NYLOCK,3/8-16	
14	5397GT	WASHER,FLAT,USS,5/16",Y	
15	18503GT	NUT,LOCKING-LG.FLANGE,5/16-18.....	4
16	80391GT	U-BOLT,5/16 -18 X 2IN**.....	2
17	33361GT	ELBOW,45 DEGR,RUBBER,2.5" I.D.....	1
18	45435GT	CLAMP,HOSE,2.50"***.....	3
19	35067-200GT	TUBE, RD, ALUM, 2.5 X .083 X 2.00.....	1
20	70488GT	REDUCER,RUBBER 2.5 - 2.....	1
21	110298GT	WELDMENT, PRECLEANER CONN.....	1
22	23057GT	SCREW,HHC,M8 X 20MM	
23	49408GT	WASHER,LOCK,M8	

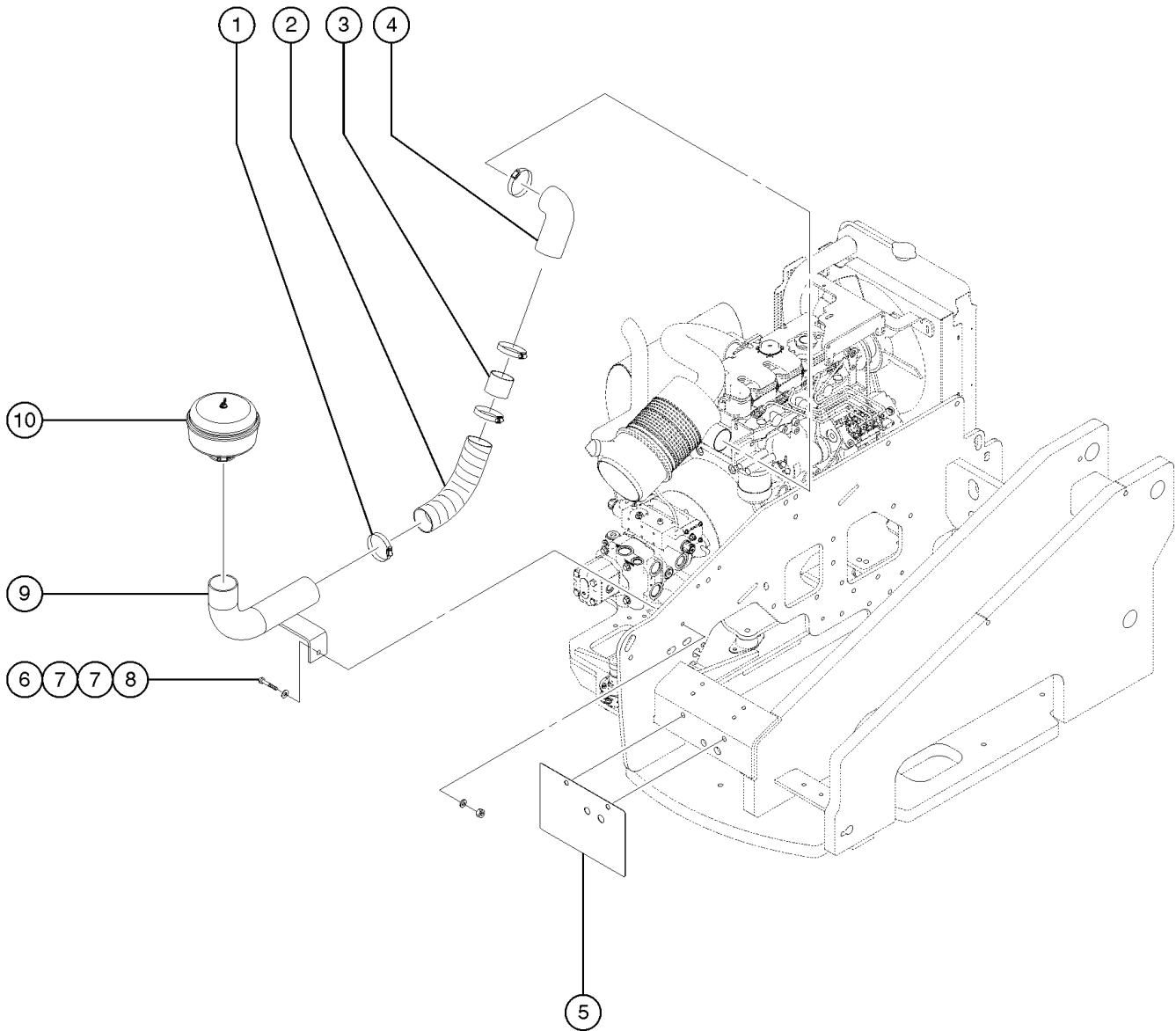
912.1 Hostile Environment Package - Engine Air Pre-cleaners (Ford)



912.1 Hostile Environment Package - Engine Air Pre-cleaners (Ford)

Item	Part No.	Description	Qty.
--	139574GT	ASSY, FORD PRE FILTER	
--	139577GT	TURNTABLE CVR, PRECLEANER OPT. <i>(cover only. Does not include decals, refer to 101.1 or 102.1 for decals)</i>	
1	45435GT	CLAMP,HOSE,2.50"***.....	5
2	110421GT	HOSE,AIR INTAKE.....	1
3	70649PGT	PLATE,FRONT COVER,PAINTED.....	1
4	13002GT	SCREW,HHC,5/16-18 X 1 GR5.....	2
5	5397GT	WASHER,FLAT,USS,5/16",Y.....	2
6	18503GT	NUT,LOCKING-LG.FLANGE,5/16-18.....	2
7	6019GT	SCREW,HHC,3/8-16 X 1.25 GRD 5.....	1
8	4828GT	NUT,NYLOCK,3/8-16.....	4
9	139575GT	WELDMENT, HOSE ANGLE BRACKET.....	1
10	34959GT	PRECLEANER,AIR INTAKE***.....	1
11	119770GT	HOSE,2.5" FLEX.....	1
12	71911GT	CLAMP,MUFFLER, 2.50 INCH.....	1
13	139393GT	TUBE, PRE-CLEANER, FORD.....	1
14	139392GT	BRACKET, PRE-CLEANER, FORD.....	1

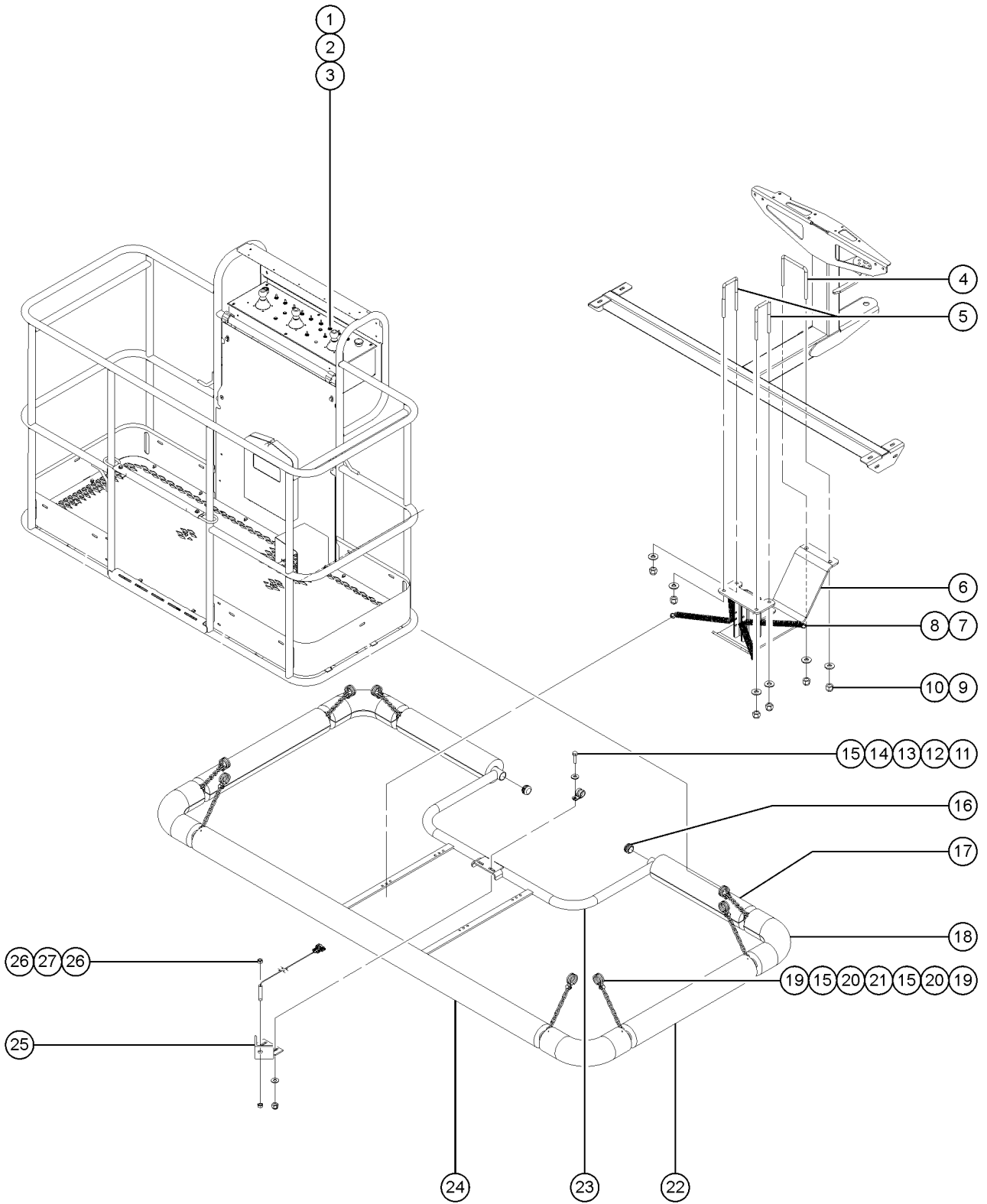
913.1 Hostile Environment Package - Engine Air Pre-cleaners (Perkins)



913.1 Hostile Environment Package - Engine Air Pre-cleaners (Perkins)

Item	Part No.	Description	Qty.
--	119686GT	ASSY,PERKINS PRE FILTER	
--	128479GT	COVER ASSY,PKNS HOST ENV,WORD	
--	128480GT	COVER ASSY,PKNS HOST ENV,SYMB	
1	45435GT	CLAMP,HOSE,2.50"***.....	3
2	119770GT	HOSE,2.5" FLEX.....	1
3	35067-200GT	TUBE, RD, ALUM, 2.5 X .083 X 2.00.....	1
4	50941GT	HOSE,90DEG 2.5" AIR INTAKE.....	1
5	70649PGT	PLATE,FRONT COVER,PAINTED.....	1
6	6019GT	SCREW,HHC,3/8-16 X 1.25 GRD 5.....	1
7	5397GT	WASHER,FLAT,USS,5/16",Y.....	2
8	4828GT	NUT,NYLOCK,3/8-16.....	1
9	139575GT	WELDMENT, HOSE ANGLE BRACKET..... <i>(replaced 35067-200, 119687, and 34167)</i>	1
10	34959GT	PRECLEANER,AIR INTAKE***.....	1

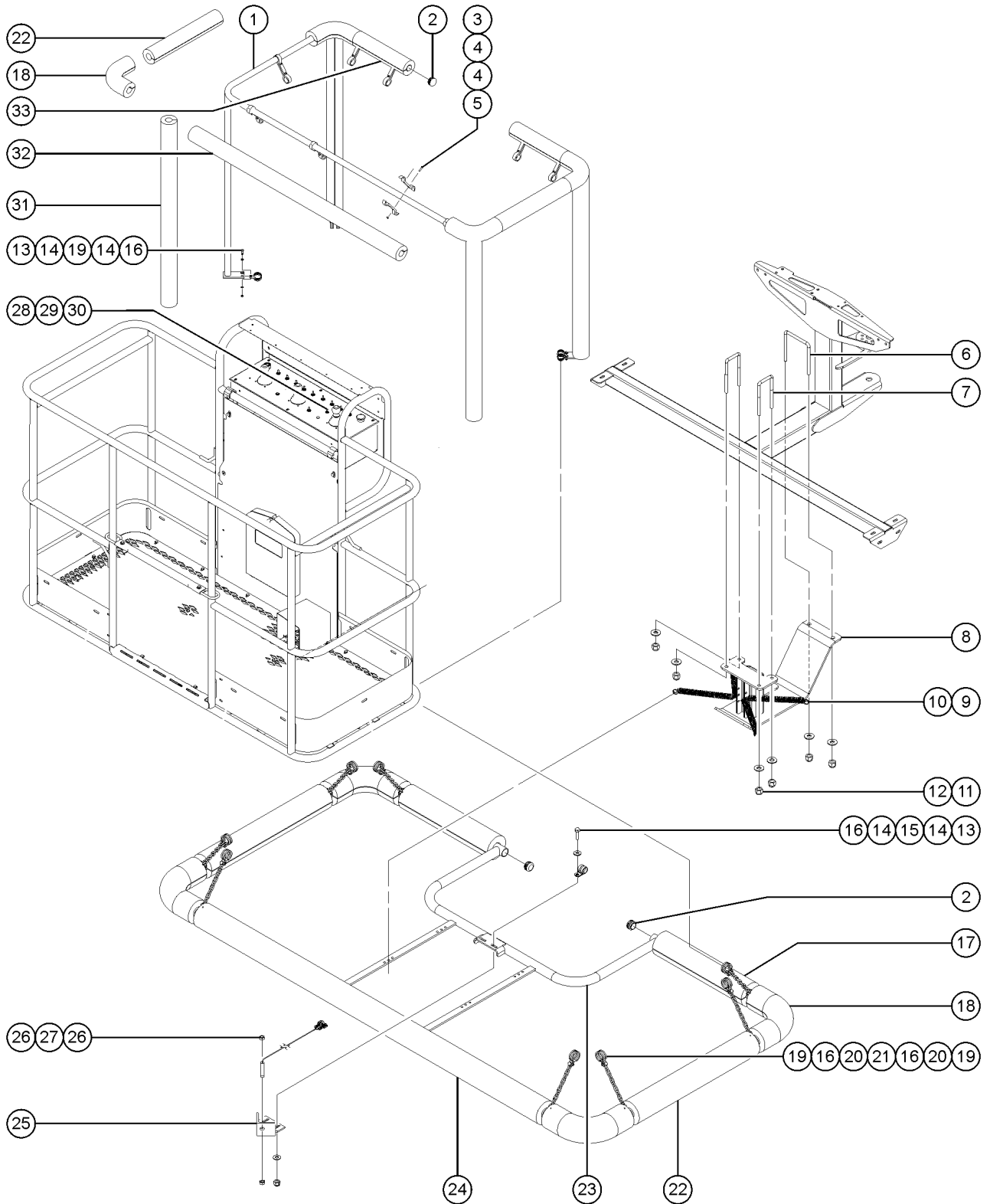
914.1 Aircraft Protection Package, Standard (from SN Z452508A-37297)



914.1 Aircraft Protection Package, Standard (from SN Z452508A-37297)

Item	Part No.	Description	Qty.
1	128203GT	SWITCH TOGGLE ASSY SPDT 2P MOM.....	1
--	139882GT	HARN, AC PROTECTION BYPASS.....	1
2	27246GT	BOOT,TOGGLE SWITCH,SHORT*.....	1
3		Ref. DECAL,FUNCTION OVERRIDE..... <i>(refer to 101.1)</i>	1
4	106044GT	U-BOLT,3/8-16X4X4.63X3.00.....	1
5	66472GT	U-BOLT, SQR, 3/8-16X2X5, PLTD.....	2
6	139904GT	WELDMENT, SKIDPLATE**.....	1
7	88384GT	SPRING, SS, 3/4-EO750-69-4500.....	4
8	88385GT	SPRING, SS, 1/2-EO500-49-4500.....	4
9	4828GT	NUT,NYLOCK,3/8-16	
10	5397GT	WASHER,FLAT,USS,5/16",Y	
11	6888GT	SCREW,HHC,1/4-20 X 1	
12	6638GT	WASHER,FLAT,USS,1/4"Y	
13	6833GT	CLAMP,0.50,#8 X 1/4,RUB CUSH.....	1
14	6638GT	WASHER,FLAT,USS,1/4"Y	
15	6091GT	NUT,NYLOCK,1/4-20	
16	55753GT	BUMPER, PLASTIC, 1.25 O.D.....	2
17	75617-1675GT	PADDING,FOAM 3.5"OD X 1.50"ID.....	2
18	75636GT	PADDING,FOAM,3.0"X1.50ID 90DEG.....	4
19	21618GT	CLAMP,1.13,#18 X 1/4,RUB CUSH.....	16
20	6090GT	SCREW,HHC,1/4-20 X .75	
21	56426-700GT	CHAIN,NO.2 (11 LINKS).....	8
22	75617-2275GT	PADDING,FOAM 3.5"OD X 1.50"ID.....	2
23	139181GT	WELDMENT,AIRCRAFT SENSOR BUMPR.....	1
24	75617-6475GT	PADDING,FOAM 3.5"OD X 1.50"ID.....	1
25	77797GT	WELDMENT, SENSOR MOUNT.....	1
26	88390GT	NUT,HEX,M8,PLASTIC	
27	81532GT	HARNES,PROX.KILL..... <i>includes 27391 proximity sensor</i>	1
--	27391GT	PROXIMITY SENSOR***	

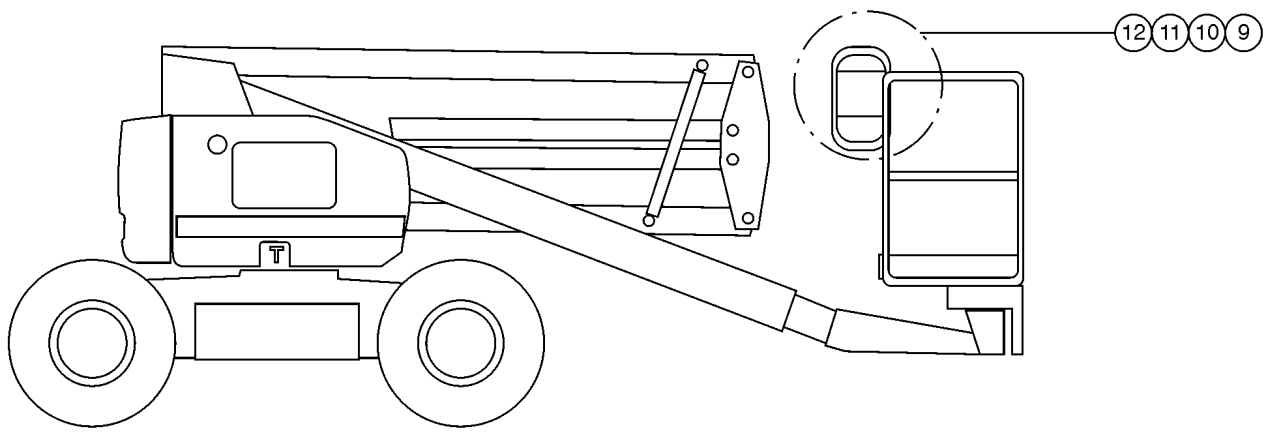
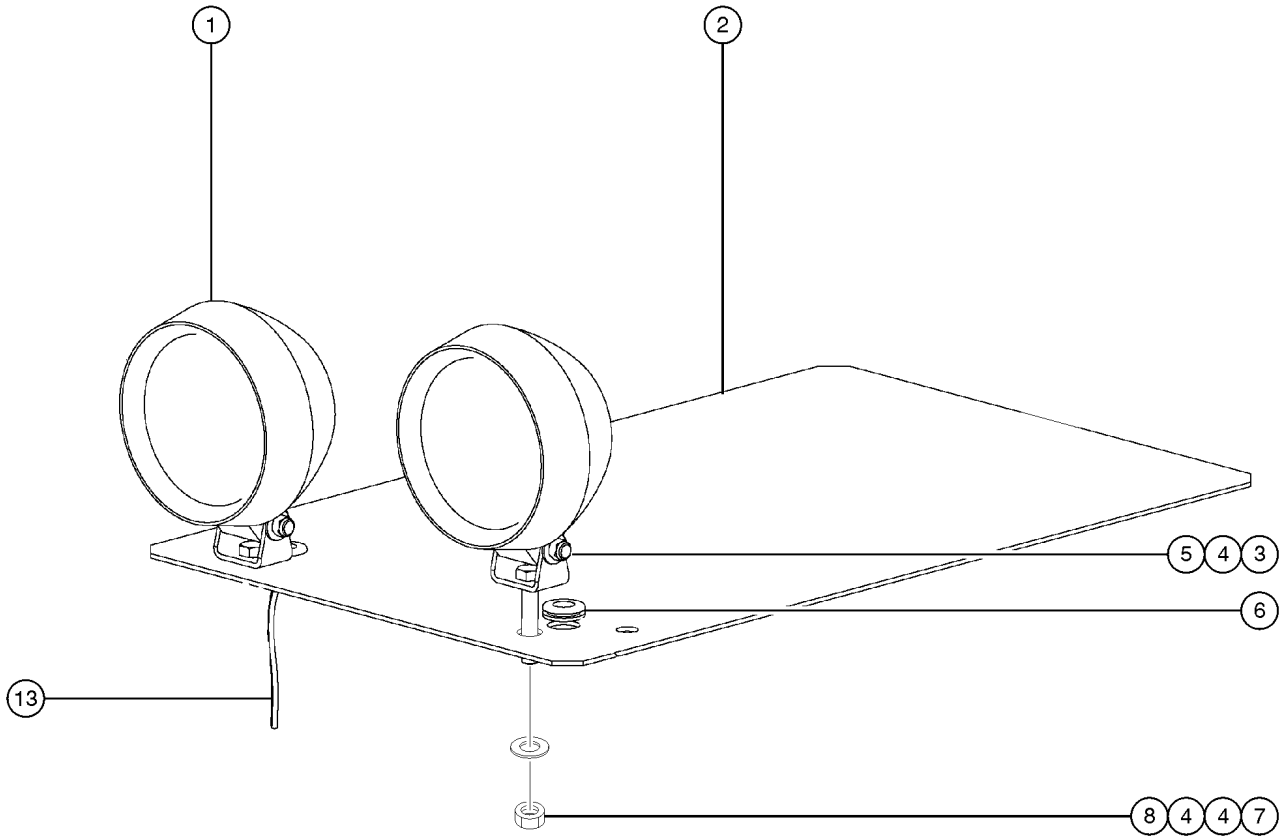
915.1 Aircraft Protection Package, Deluxe (from SN Z452508A-37297)



915.1 Aircraft Protection Package, Deluxe (from SN Z452508A-37297)

Item	Part No.	Description	Qty.
--	822760GT	ASSY,AIRCRAFT PROT, LOWER, 6FT	
1	46188GT	WELDMENT, AIRCRAFT TOP BUMPER.....	1
2	55753GT	BUMPER, PLASTIC, 1.25 O.D.....	4
3	122231GT	SCREW,BHSC,1/4-20 X 1	
4	122073GT	SUPPORT, RAILING.....	20
5	6889GT	NUT,LP NYLOCK,1/4-20	
6	106044GT	U-BOLT,3/8-16X4X4.63X3.00.....	1
7	66472GT	U-BOLT, SQR, 3/8-16X2X5, PLTD.....	2
8	139904GT	WELDMENT, SKIDPLATE**.....	1
9	88384GT	SPRING, SS, 3/4-EO750-69-4500.....	4
10	88385GT	SPRING, SS, 1/2-EO500-49-4500.....	4
11	4828GT	NUT,NYLOCK,3/8-16	
12	5397GT	WASHER,FLAT,USS,5/16",Y	
13	6888GT	SCREW,HHC,1/4-20 X 1	
14	6638GT	WASHER,FLAT,USS,1/4"Y	
15	6833GT	CLAMP,0.50,#8 X 1/4,RUB CUSH.....	1
16	6091GT	NUT,NYLOCK,1/4-20	
17	75617-1675GT	PADDING,FOAM 3.5"OD X 1.50"ID.....	2
18	75636GT	PADDING,FOAM,3.0"X1.50ID 90DEG....	8
19	21618GT	CLAMP,1.13,#18 X 1/4,RUB CUSH.....	16
20	6090GT	SCREW,HHC,1/4-20 X .75	
21	56426-700GT	CHAIN,NO.2 (11 LINKS).....	8
22	75617-2275GT	PADDING,FOAM 3.5"OD X 1.50"ID.....	4
23	139181GT	WELDMENT,AIRCRAFT SENSOR BUMPR.....	1
24	75617-6475GT	PADDING,FOAM 3.5"OD X 1.50"ID.....	1
25	77797GT	WELDMENT, SENSOR MOUNT.....	1
26	88390GT	NUT,HEX,M8,PLASTIC	
27	81532GT	HARNES,PROX.KILL..... <i>includes 27391 proximity sensor</i>	1
--	27391GT	PROXIMITY SENSOR***	
28	128203GT	SWITCH TOGGLE ASSY SPDT 2P MOM.....	1
--	139882GT	HARN, AC PROTECTION BYPASS.....	1
29	27246GT	BOOT,TOGGLE SWITCH,SHORT*.....	1
30		Ref. DECAL,FUNCTION OVERRIDE..... <i>(refer to 101.1)</i>	1
31	75617-4788GT	PADDING,FOAM 3.5"OD X 1.50"ID.....	4
32	75617-6275GT	PADDING,FOAM 3.5"OD X 1.50"ID.....	1
33	75617-1538GT	PADDING,FOAM 3.5"OD X 1.50"ID.....	2

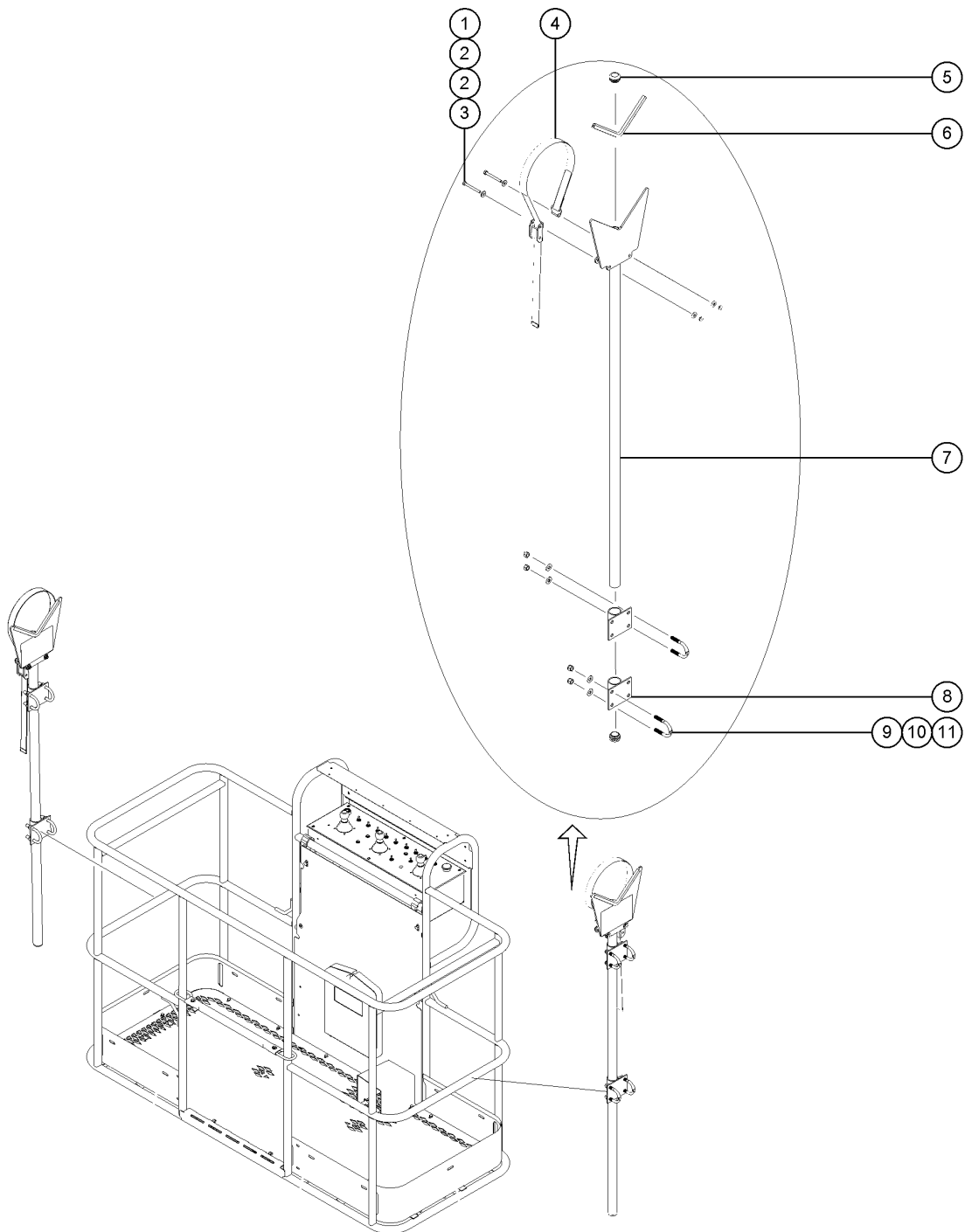
916.1 Drive Lights



916.1 Drive Lights

Item	Part No.	Description	Qty.
1	107857GT	LIGHT, 12 VOLT.....1 <i>(includes items 3-5 and 7-8)</i>	1
2	50770GT	COVER,DR CHASSIS FRONT,NON-OSC.....1	1
3	10107GT	SCREW,HHC,5/16-18 X .75.....1	1
4	5397GT	WASHER,FLAT,USS,5/16",Y.....3	3
5	6782GT	NUT,NYLOCK,5/16-18.....1	1
6	53517GT	GROMMET,RUBBER .5 X .014 X .75....2	2
7	4828GT	NUT,NYLOCK,3/8-16.....2	2
8	6175GT	SCREW,HHC,3/8-16 X 1.....2	2
9	78098GT	RELAY,24VDC,40/30A,SLD W/BRKT*.....1	1
--	54365GT	SCREW,PHIL,PHM,10-32 X .5,SSTL.....1	1
--	6178GT	NUT,NYLOCK,10-32.....1	1
10	72867GT	DECAL,LABEL,LIGHTS***.....1	1
11	128204GT	SWITCH TOGGLE ASSY SPDT 2P MNT.....1	1
--	27246GT	BOOT,TOGGLE SWITCH,SHORT*	
12	6578GT	CABLE TIE,7 3/8".....5	5
13	147532GT	HARNES,DRIVE LIGHT OPTION.....1	1

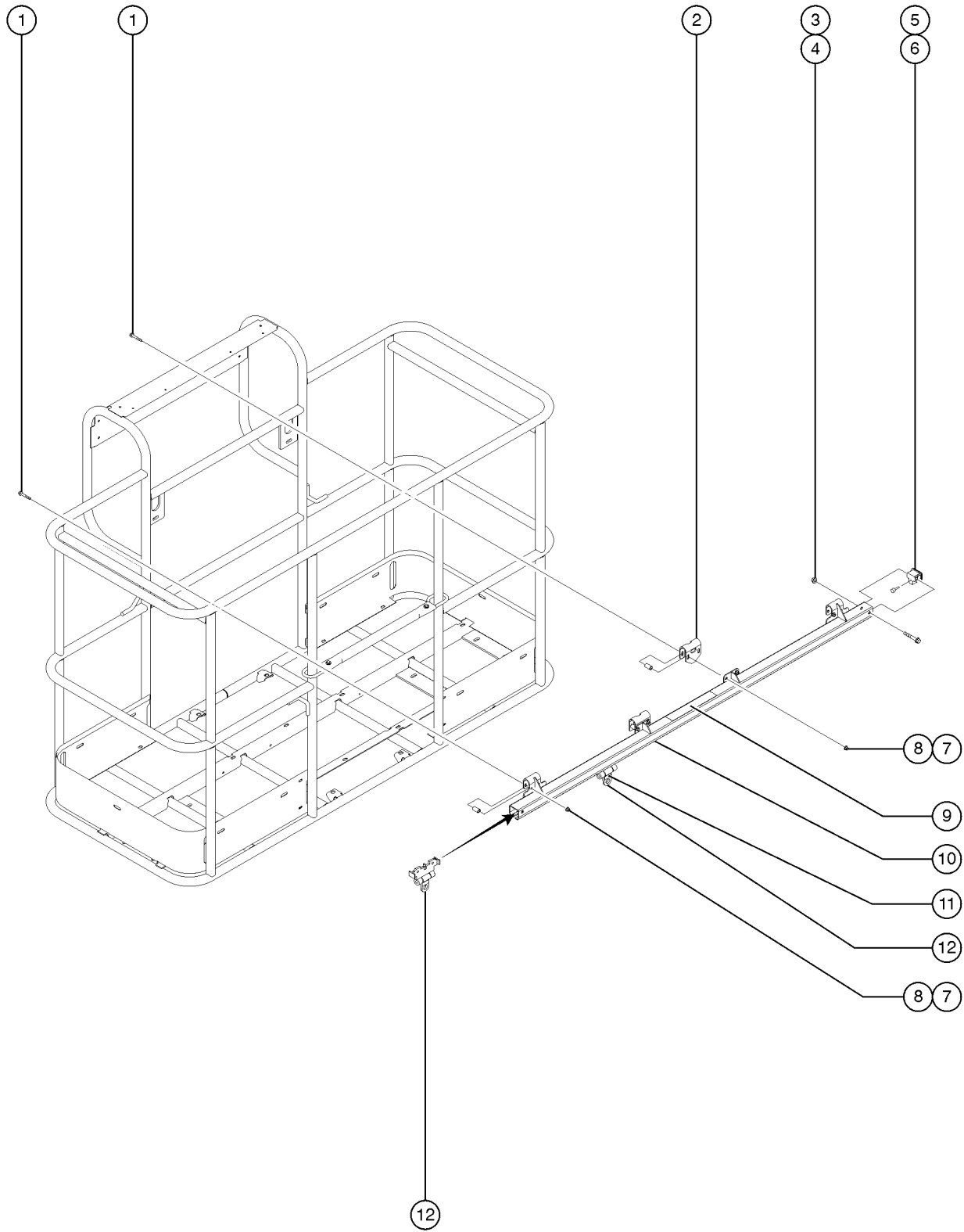
917.1 Pipe Cradle



917.1 Pipe Cradle

Item	Part No.	Description	Qty.
A	85300GT	PIPE CRADLE ASSY. SERV (ONE)**	
--	65630GT	INSTRUCTIONS-PIPE CRADLE,BOOMS	
1	824083GT	SCREW,HHF,1/4-20X2.5,8,ZAG	
2			
3	1277924GT	NUT,NYLOCK FLG,1/4-20,F,ZAG	
4	56570GT	STRAP, CONDUIT HOLDER 60****2	
5	55753GT	BUMPER, PLASTIC, 1.25 O.D.....4	
6	19018GT	TRIMLOCK,BLACK,5/32".....11-inches	
7	56525GT	WELDMENT, PIPE CRADLE.....2 <i>(decals not included order seperately)</i>	
--	72875GT	DECAL,WARNING,PIPE CRADLE,BOOM.....4 <i>(must be ordered seperately)</i>	
8	81368GT	WELDMENT,PIPE CRADLE MOUNT....4	
9	1274322GT	NUT,NYLOCK FLG,3/8-16,F,ZAG	
10			
11	1251600GT	U-BOLT, FLATTENED, 1.5 X 3/8 UNC,ZAG.....8	

918.1 Fall Arrest Bar

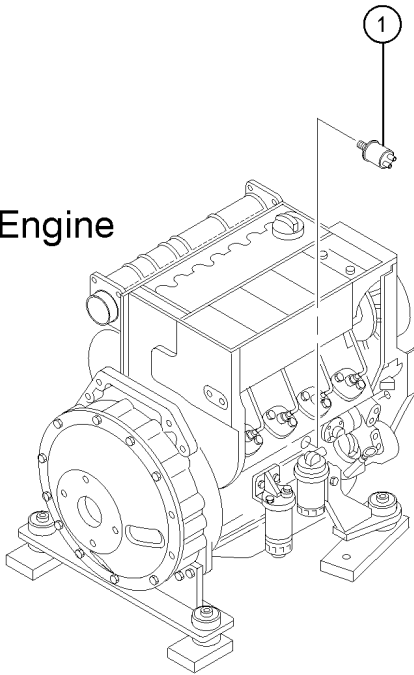


918.1 Fall Arrest Bar

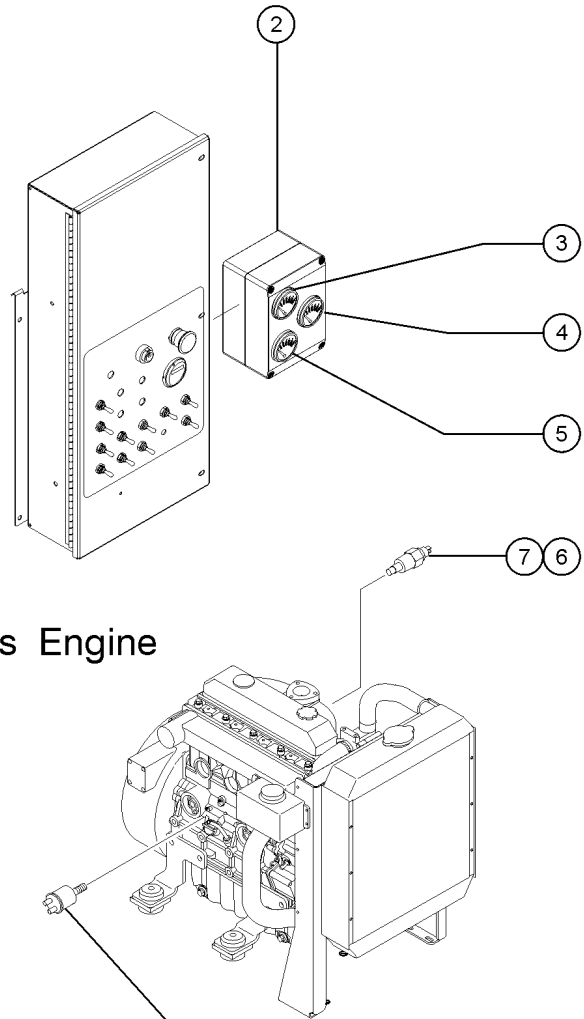
Item	Part No.	Description	Qty.
1	1256856GT	SCREW,HHF,3/8-16X2.5,8,ZAG.....	4
2	1256389GT	FORMING,INNER HANGER.....	2
3	1251997GT	NUT,TL FLG,1/2-13,G,ZAG.....	2
4	1256851GT	SCREW,HHF,1/2-13X3.5,8,ZAG.....	2
5	1260892GT	END STOP,TRACK,FALL ARREST BAR.....	2
6	36388GT	BUMPER,RUBBER,.75 X .50H,STUD....	2
7	1274322GT	NUT,NYLOCK FLG,3/8-16,F,ZAG.....	8
8	1256481GT	SPACER, HANGER BRACKET.....	8
9A	1256400GT	DECAL,TRACK,FALL ARREST BAR,WORD.....	1
9B	1260910GT	DECAL,TRACK,FALL ARREST BAR,SYMBOL.....	1
9C	1256400FRGT	DECAL,TRACK,FALL ARREST BAR,WORD FR.....	1
10A	1256378GT	ACC,FALL ARREST BAR,6FT WORD..... <i>includes instructions and decals</i>	1
--	1256380GT	ASSY,TRACK,FALL ARREST BAR,6FT WORD <i>includes decals</i>	
10B	1261023GT	ACC,FALL ARREST BAR,6FT SYM..... <i>includes instructions and decals</i>	1
--	1261025GT	ASSY,TRACK,FALL ARREST BAR,6FT SYM <i>includes decals</i>	
10C	1261019GT	ACC,FALL ARREST BAR,6FT FR..... <i>includes instructions and decals</i>	1
--	1261021GT	ASSY,TRACK,FALL ARREST BAR,6FT FR <i>includes decals</i>	
11	40434GT	DECAL,LANYARD ANCHORAGE POINT.....	1
12	1256439GT	TROLLEY, TRACK, FALL ARREST BAR.....	1

919.1 Gauge Option

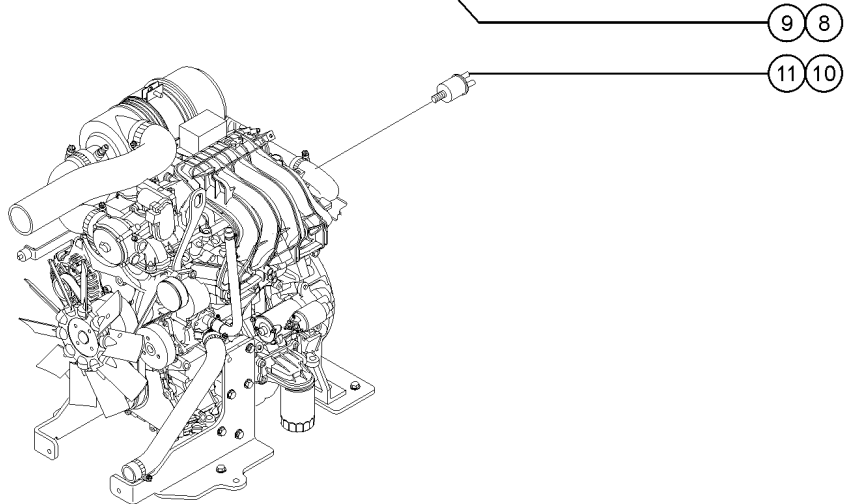
Deutz Engine



Perkins Engine



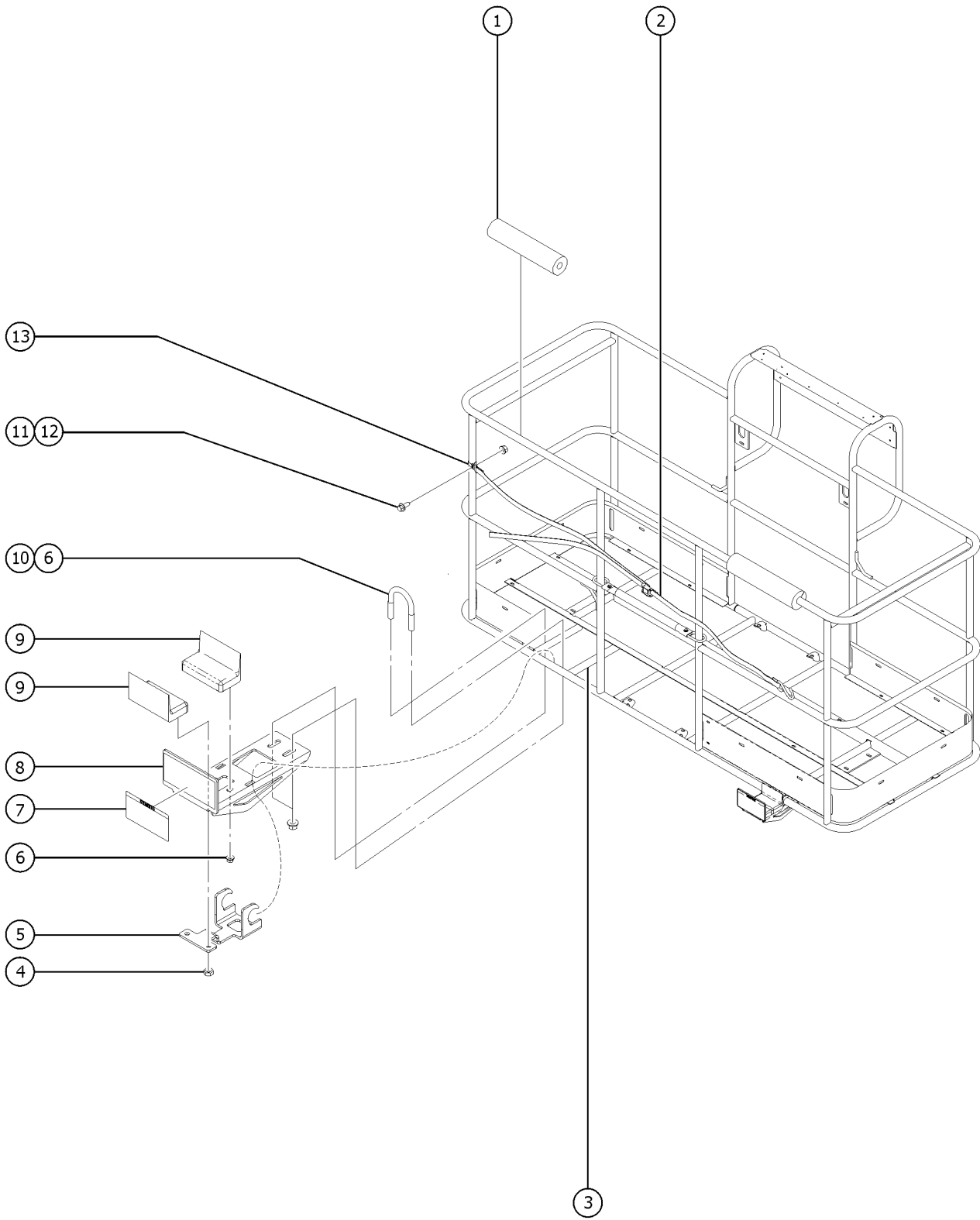
Ford Engine



919.1 Gauge Option

Item	Part No.	Description	Qty.
1	106033GT	ADAPTER,NPT 6-4	
2	101232GT	ENCLOSURE BOX,GAUGE OPT,DRILLD.....	1
--	101227PGT	FORMING,GAUGE OPTION BRKT PNTD.....	1
3	53761-SGT	GAUGE,VOLTAGE.....	1
4	53758-SGT	GAUGE,OIL PRESSURE W/O SENDER.....	1
5	53759-SGT	GAUGE,WATER TEMP.....	1
6	34058GT	SENDING UNIT,TMP,FRD,GM,PRK704.....	1
7	28607GT	ADAPTER,140139-8-6.....	1
8	30810GT	SENDING UNIT,OIL PRESSURE*** <i>dual-terminal sender</i>	1
9	71038GT	ADAPTER, 1/8 X 1/4 F3H6-S.....	1
10	119418GT	ADAPTER,140130-4-4.....	1
11	119417GT	TEE,RUN,1/4" PIPE.....	1

920.1 Panel Cradle Option



920.1 Panel Cradle Option

Item	Part No.	Description	Qty.
--	77683GT	ACCESSORY,PANEL CRADLE,ANSI (ANSI/CSA models)	
--	94493-SGT	KIT,PANEL CRADLE,CE (CE/AUS models)	
1	88377-1400GT	FOAM PAD, 3" OD X 1.25" ID X 14 IN.....2	
2	77664GT	ADJUSTABLE STRAP ASSY.....1	
3	73463-1175GT	TUBE, RD, ALUM, 1.25 X .083 X 11.75...2	
4	824038GT	NUT, TL JAM, 3/8-16, A, ZAG.....4	
5	228849GT	FORMING,SECONDARY SUPPORT.....2	
6	1274322GT	NUT,NYLOCK FLG,3/8-16,F,ZAG.....8	
7A	82410GT	DECAL,WARNING,PANEL CRADLE.....2 (ANSI/CSA models)	
7B	82487GT	DECAL, SYMBOL - READ THE MANUAL.....2 (CE/AUS models)	
8	228848GT	FORMING PANEL CRADLE.....2	
9	56934GT	PAD,REST,1"THICK,FLANGED.....4	
10	1251600GT	U-BOLT, FLATTENED, 1.5 X 3/8 UNC,ZAG.....2	
11	1256855GT	SCREW,HHF,1/4-20X.625,8,ZAG.....1	
12	1277924GT	NUT,NYLOCK FLG,1/4-20,F,ZAG.....1	
13	56424GT	CLAMP,1.25X.5 RUBBER-CUSHION.....1	

Part Number Index

The Part Number Index is a numeric index of all part numbers included in this manual. The index shows what page(s) the part is used on.

Part Number	Page	Part Number	Page	Part Number	Page	Part Number	Page
100000GT	12	106540PGT	105	110671GT	111	119153GT	81
101005GT	123	106564GT	65	110712GT	17-18, 21-22,	119168GT	63
101005HGT	123	106565GT	167		25, 32, 36	119169GT	85
101006GT	67	106566GT	167	110713GT	17-18, 21-22,	119170GT	63
101010GT	59	106581GT	99, 105		25, 32, 36	119209GT	39
101041PGT	73	106585GT	99	110718GT	17-18, 21-22,	119210GT	39
101055GT	134	106676GT	61		25, 32, 36	119223GT	83
10107GT	185	106740GT	167	110719GT	17-18, 21-22,	119232GT	85
101080GT	65, 121	106804PGT	99		25, 32, 36	119236PGT	163
101114GT	134	106835GT	139	110746GT	175	119237PGT	163
101129PGT	69-70	106836GT	139	110758GT	83	119250GT	121
101130PGT	67	106837GT	139	110768GT	81	119344GT	69-70
101137PGT	61, 67	106972GT	91	110777GT	83	119394GT	83
101138PGT	69-70	107551GT	65	110789GT	161	119403GT	53, 163
101140P-SGT	69-70	107574PGT	45	110864GT	61	119404GT	53, 163
101174GT	123	107588GT	89	110865GT	85	119411GT	61
101174HGT	123	107590GT	89	110890PGT	85	119417GT	191
101175GT	123	107595GT	103	110892PGT	85	119418GT	191
101175HGT	123	107651GT	47	110919GT	85	119423PGT	63
101227PGT	191	107727GT	89	110932GT	85	119463GT	83
101232GT	191	10775GT	118	110941PGT	61	119465GT	79
101277GT	133-134	10777GT	118	111027GT	75-76	119466GT	79
101294GT	139	107803GT	61	111028GT	73, 75-76	119468GT	81
101512GT	161	107805PGT	63	111029GT	73	119469GT	81
101574GT	63	107807GT	87	111051GT	101	119471GT	81
101584GT	31-32, 35-36	107813GT	139	111052GT	101	119472GT	79
101590GT	125	107814GT	139	111053GT	101	119473GT	81
101592GT	69-70	107815GT	139	111381GT	163	119474GT	81
101726GT	51	107816GT	133-134	111526GT	157	119475GT	79
101729GT	67, 69-70, 73,	107842GT	139	111614GT	83	119477GT	85
	75-76, 85	107857GT	157, 185	111634GT	83	119478GT	79
101730GT	67, 69-70, 73,	107859GT	89	111666GT	83	119479GT	79
	75-76, 85	107881GT	91	111668GT	69-70	119481GT	79
101773PGT	73	107889GT	51	111748GT	83	119483GT	63, 65
101815GT	47	107901GT	99, 105	11210GT	167	119484GT	83
101844GT	55-56	107914GT	39	112283GT	85	119495GT	79
101849GT	55-56	107993GT	47, 56, 65	112285GT	83	119496GT	81
101886GT	55-56, 65	110150GT	31-32, 35-36	112400GT	85	119497GT	79
101932GT	173	110160GT	47, 65	114023GT	12, 15	119498GT	79
101939GT	65, 167	110180GT	133-134	114024GT	12, 15	119500GT	79
101958GT	134	110194GT	125, 128-130	114114GT	12, 15	119516PGT	163
102119GT	85	110200GT	128-130	114169GT	12	119533PGT	167
102121GT	83	110269GT	65	114220GT	12	119534GT	121
102588GT	69-70	110273GT	133-134	114246GT	121	119536PGT	105, 107, 109
102681GT	167	110298GT	175	114247GT	15	119542GT	105, 107, 109
102785PGT	157	110301GT	175	114248GT	15	119544GT	81
102992GT	115	110304GT	75-76	114249GT	15	119545GT	79
104030GT	118	110305GT	91	114251GT	15	119546GT	85
104759GT	137	110306GT	91	114252GT	15	119547GT	79
104804GT	115	110307GT	91	114258GT	12	119548GT	79
10587GT	91	110308GT	91	114277GT	12, 15	119551GT	79
10597GT	39, 51, 63, 83, 93	110309GT	93	114389GT	12	119560GT	121
10598GT	69-70, 85	110310GT	91	114390GT	12	119568GT	79
106030GT	65, 167	110345GT	51	114397GT	12	119588GT	81
106033GT	191	110382GT	87	114420GT	15	119611GT	65
106044GT	181, 183	110384GT	95	115431GT	73	119612GT	65
106065GT	51	110385GT	95	119051GT	83	119613GT	123
106069GT	61	110388GT	117-118	119052GT	83	119619GT	25
106098GT	31-32, 35-36	110399GT	73	119053GT	83, 85	119628GT	61
106117GT	31-32, 35-36	110405GT	83	119055GT	51, 85	119641GT	121
106118GT	31-32, 35-36	110406GT	85	119058GT	115	119649GT	95
106119GT	31-32, 35-36	110407GT	83	119061GT	56	119673GT	45
106120GT	31-32, 35-36	110413GT	85	119062GT	56	119686GT	179
106121GT	31-32, 35-36	110414GT	85	119063GT	56	119770GT	177, 179
106122GT	31-32, 35-36	110416GT	85	119064GT	56	119776GT	56, 65
106123GT	31-32, 35-36	110417PGT	85	119073GT	85	119784PGT	53
106124GT	31-32, 35-36	110419GT	85	119095GT	163	119798GT	51
106125GT	31-32, 35-36	110421GT	83, 177	119096GT	163	119800GT	55-56
106126GT	31-32, 35-36	110422GT	83	119117GT	67	119802GT	87
106151GT	31-32, 35-36	110423GT	85	119135GT	79	119803GT	87
106163GT	111	110424GT	83	119137GT	79	119809GT	75-76
106427GT	47, 91	110480GT	83	119138GT	81	119815PGT	45
106526GT	103	110483PGT	61	119139GT	79	119826GT	85
106531GT	167	110631GT	175	119140GT	83	119843GT	51
106535GT	167	110632GT	175	119142GT	79	119866GT	75-76

Part Number	Page	Part Number	Page	Part Number	Page	Part Number	Page
119867GT	65	1272303GT	113	128851GT	51	139861GT	47
119915GT	123	1272307GT	115	128852GT	173	139865GT	47
119918GT	51	1274322GT	101, 187, 189,	1288561GT	69-70	139866GT	47
119961GT	79		193	128862GT	101	139882GT	181, 183
119962GT	79	1274858GT	113	128973GT	173	139904GT	181, 183
119963GT	79	1275395GT	113	128984GT	75-76	139958GT	157
119964GT	81	1275396GT	113	128985GT	75-76	139965GT	17-18, 21-22,
119965GT	79	1275398GT	113	128986GT	73		31-32, 35-36
119978GT	39	1275399GT	113	128987GT	75-76	139966GT	17-18, 21-22,
119979GT	27	1275400GT	113	128991GT	73		31-32, 35-36
119980GT	39	1277924GT	187, 193	128995GT	97	139967GT	17-18, 21-22,
119981GT	29	1277991GT	83	128998GT	91		31-32, 35-36
119982GT	51	128000GT	123	12906GT	61, 63	139968GT	17-18, 21-22,
119985GT	65	128001GT	123	13000GT	67, 81, 83, 111		31-32, 35-36
119993-3828GT	149	128020GT	83	13002GT	81, 83, 157, 177	139969GT	31-32, 35-36
119993-4928GT	149	128021GT	83	13009GT	27	139970GT	31-32, 35-36
119994GT	109	128022GT	75-76	13014GT	73, 75-76	139971GT	31-32, 35-36
12011GT	101	128023GT	69-70	13064GT	17-18, 21-22,	139972GT	31-32, 35-36
120269GT	25, 51	128045GT	59, 121, 161		31-32, 35-36,	14033GT	39, 41, 43, 53,
121846GT	59	128061GT	76		47, 63		83, 89
121847GT	121	128064GT	65	13066GT	83, 139	14297GT	99, 101
121848GT	65, 161	1280665GT	53	131589GT	85	144161GT	53
122019GT	155	128066GT	45	13268GT	51, 159	146051GT	31-32, 35-36
122073GT	157, 183	128165GT	79	133067GT	15	146052GT	31-32, 35-36
122125GT	65, 117-118	128166GT	79	133238GT	12	146062GT	167
122231GT	157, 183	128200GT	55-56, 117-118	133278GT	12	146478GT	117-118
122278GT	157	128201GT	55-56, 117-118	13585GT	118	147015GT	83
122279GT	157	128202GT	55-56, 117-118	139099GT	153	147016GT	79, 83
122755GT	159	128203GT	181, 183	139181GT	181, 183	147031GT	65
12343GT	59, 101	128204GT	117-118, 121,	13918GT	61, 95, 97, 167	147033GT	31-32, 35-36
12344GT	121		167, 185	139318GT	53	147034GT	17-18, 21-22,
1251565GT	25	128205GT	55-56	139330GT	31-32, 35-36		31-32, 35-36
1251600GT	115, 187, 193	128304GT	97	139338GT	118	147041GT	173
1251997GT	189	128308GT	101	139391GT	127-130	147042GT	173
1252943GT	75-76	128309GT	101	139392GT	177	147044GT	173
1254826GT	69-70	128310GT	101	139393GT	177	147094GT	55-56
1255452GT	27, 61, 93	128311GT	101	139508GT	127-130	147121GT	115
1255653GT	69-70	128313GT	73	139509GT	127-130	147181GT	173
1256267GT	89, 93	128364GT	167	139510GT	127-130	147183GT	173
1256378GT	189	128423GT	139	139511GT	129-130	147184GT	173
1256380GT	189	128436GT	175	139512GT	127-130	147210GT	47
1256389GT	189	128437GT	175	139513GT	127-130	147211GT	47
1256400FRGT	189	128446GT	47	139514GT	127-130	147212GT	47
1256400GT	189	128454PGT	107, 109	139515GT	127-130	147223GT	51
1256439GT	189	1284764GT	157	139516GT	128-130	147225GT	65
1256460GT	115	128479GT	179	139517GT	128-130	147243GT	69-70
1256481GT	189	128480GT	179	139518GT	128-130	147283GT	105, 109
1256670GT	137	128482GT	107, 109, 159	139519GT	128-130	147284GT	93
1256851GT	189	128483GT	107, 109	139520GT	128-130	147348GT	73
1256855GT	115, 193	128510GT	107, 109	139521GT	128-130	147349GT	73
1256856GT	189	128511GT	109	139522GT	128-130	147350GT	73
1257051GT	97	128513GT	107	139523GT	129-130	147351GT	73
1257052GT	97	128515GT	107	139524GT	129-130	147352GT	73
1258159GT	89	128534GT	107, 109	139525GT	128-130	147353GT	73
1259057GT	79	1285505GT	139	139526GT	128-130	147355GT	73
1260218GT	65	1285506GT	139	139527GT	129-130	147369GT	103, 105, 109,
1260892GT	189	128578GT	55-56, 117-118	139556GT	81		111
1260910GT	189	128580-SGT	55-56, 117-118	139557GT	81	147419GT	51, 149
1261019GT	189	128581-SGT	55-56, 117-118	139574GT	177	147428GT	65
1261021GT	189	128582-SGT	55-56, 117-118	139575GT	177, 179	147532GT	65, 157, 185
1261023GT	189	128584-SGT	117-118	139577GT	177	147661GT	121
1261025GT	189	128585GT	55-56	139595GT	70	147786GT	65, 161
1262633GT	93	128588GT	75-76	139596GT	70	147836GT	163
1263056GT	93	128596GT	101	139598GT	123	147837GT	163
1263057GT	93	128597GT	101	139610GT	83	147838GT	163
1264822GT	65	128601GT	97	139621GT	67	147839GT	163
1264834GT	65	128645GT	53	139622GT	67	150103GT	95, 97, 103, 105,
1264947GT	65, 87	128646GT	53	139624GT	69-70		109
1267746GT	115	1286602GT	31-32, 35-36	139666GT	69-70	15086GT	85, 161
1267747GT	115	1286603GT	31-32, 35-36	139687GT	103	15243GT	56
1267779GT	25	1286606GT	17-18, 21-22	139688GT	103	16073GT	159
1267781GT	25	1286607GT	17-18, 21-22	139701GT	101	160809GT	113
1267807GT	67	128724GT	107, 109	139702GT	101	161541GT	113
1268229GT	67	128831GT	73	139709GT	67	161542GT	113
1269501GT	123	128849GT	51	139779GT	101	162235GT	11-12
1272019GT	63	128850GT	51	139781GT	101	162236GT	11-12

Part Number Index (continued)

Part Number	Page	Part Number	Page	Part Number	Page	Part Number	Page
162237GT	11-12	22736GT	76	28165GT	11-12	37003GT	69-70, 83
162238GT	11-12	22788GT	18, 22, 47, 139	28174GT	11-12, 15	37097GT	17-18, 21-22
162241GT	15	227988GT	83	28175GT	11-12	37505GT	73, 75-76
162254GT	15	228449GT	65	28176GT	11-12	38620GT	95, 97
162255GT	15	228457GT	73	28177GT	11-12	38859GT	63
162314GT	11-12	228783GT	63	28181GT	11-12	38922GT	83
162315GT	11-12	228848GT	193	28235GT	11-12, 15	39346GT	133-134
162317GT	11-12	228849GT	193	28236GT	11-12	40434GT	11-12, 15, 189
162319GT	15	229131GT	39	28328GT	157	42078GT	63
162321GT	15	229132GT	39	28329GT	157	42662GT	85
162343GT	11-12	229133GT	39	28607GT	191	4266GT	61, 63, 157, 161
162344GT	11-12	229567GT	55-56, 117-118	28675GT	163	42941-75GT	91
162348GT	11-12	229763GT	17-18, 21-22	28678GT	149, 151, 153	43018GT	105, 109, 133-
162442GT	15	229798GT	29	29080GT	95		134, 137
16584GT	67	229833GT	17-18, 21-22	29559GT	67	43181GT	65
1697-400GT	91	229834GT	17-18, 21-22	29560GT	69-70	43392GT	115
17712GT	47, 63	23057GT	73, 175	29605GT	63	43595GT	11-12
18503GT	67, 75-76, 81, 83, 85, 175, 177	231642GT	63	29749GT	75-76	43683GT	139
18504GT	87, 99	231643GT	63	29868GT	53, 163	43955GT	65
18596GT	17-18, 21-22, 29	231644GT	63	29883GT	63	43956-7200GT	163
18605GT	171	231645GT	63	30080GT	11-12	43956GT	53
18666GT	63	231646GT	63	30138GT	61, 95, 97	43960GT	91, 115
18720GT	89, 93	233365GT	79	30222GT	103, 105, 109, 111	44064GT	83
18963GT	155	233437GT	79	30255GT	95, 97, 105, 109	44168GT	133-134
19018GT	187	233715GT	105, 109, 111	30370GT	93	44174GT	137
19274GT	65, 121	233716GT	103	30370GT	93	44178GT	133-134
19358GT	85	233745GT	103, 105, 109, 111	30438GT	67	44216GT	133-134
19363GT	85	234005GT	79	30468GT	157	44224GT	133-134
19418GT	17-18, 21-22	234006GT	79	30785-500GT	43	44225GT	133-134
19440GT	27, 29	23404GT	59	30785-600GT	41	44227GT	133-134
19506GT	55-56	235473GT	121	30810GT	191	44228GT	133-134
19970GT	163	236426GT	75-76	30973GT	61	44229GT	133-134
20193GT	17-18, 21-22	236460GT	167	30996GT	121	44235GT	133-134
20224GT	125, 127-130, 133-134	237688GT	91	30997GT	59	44248GT	11-12
20262GT	115	237856GT	81	31060GT	11-12	44907GT	175
20912GT	32, 36, 167	237857GT	81	31406GT	125, 128-130	44950GT	163
21019GT	73, 75-76, 85	237858GT	81	31523GT	69-70	44981GT	11-12, 15
21130GT	41, 43, 69-70	237859GT	81	32309GT	81	44986GT	11-12
21141GT	51	24038GT	75-76, 85	32675GT	17-18, 21-22	45043GT	25
21143GT	17-18, 21-22	24040GT	67, 69-70, 73, 75-76, 85	32681GT	41, 43	45071GT	17-18, 21-22, 27, 29, 39, 89
21144GT	17-18, 21-22	24514GT	115	32695GT	67	45074GT	17-18, 21-22, 25, 29
21145GT	17-18, 21-22	25068GT	47	32698GT	69-70	45107GT	25
21146GT	17-18, 21-22	25368GT	85	32728GT	11-12, 15, 167	45108GT	25
21148GT	17-18, 21-22	25388GT	53	32732GT	163	45108GT	25
21149GT	17-18, 21-22	25388GT	53	32735GT	163	45110GT	25
21166GT	25	25548GT	83	32975GT	133-134	45111GT	25
21175GT	47	25683GT	27, 103, 105, 109	33024GT	69-70	45112GT	25
214796GT	79	25685GT	161	33239GT	69-70	45112GT	25
214798GT	79	25685GT	161	33277GT	73, 75-76, 83, 85	45113GT	25
214803GT	79	25817GT	17-18, 21-22, 27, 29, 61, 87	33278GT	103, 111, 159	45114GT	25
21496GT	41, 43	25926GT	69-70, 81, 85	33361GT	175	45363GT	61, 63
215298GT	85	25927GT	85, 167	33432GT	17-18, 21-22	45383GT	117-118
215777GT	31-32, 35-36	25994GT	11-12	33521GT	129-130	45384GT	55-56, 117-118
21604GT	161	27089GT	63	33555GT	61	45385GT	121
21618GT	103, 181, 183	27126GT	87	33988GT	139	45400GT	167, 173
21619GT	103	27204GT	11-12, 15	34052GT	59	45435GT	83, 175, 177, 179
216754GT	65	27205GT	11-12, 15	34053GT	59	45454GT	69-70, 159
216791GT	59	27206GT	11-12, 15	34054GT	59	45462GT	56, 155
216793GT	59	27207GT	11-12, 15	34055GT	59	45748GT	161
217046GT	59	27246GT	55-56, 117-118, 167, 181, 183,185	34058GT	191	45873GT	25
217828GT	63			34125GT	95, 97	46131GT	83
217829GT	63	27287GT	121	34162-800GT	73	46188GT	183
218180GT	121	27377GT	61	34276GT	93	46468GT	11-12
219437GT	85	27391GT	181, 183	34619GT	61, 67, 157, 161	47092GT	133-134
220255GT	47	27497GT	105, 109	34959GT	175, 177, 179	4828GT	27, 29, 39, 47, 51, 53, 61, 63, 67, 69-70, 73, 75-76, 83, 85, 89, 93, 95, 99, 105, 107, 109, 117-118, 159, 161, 163, 167, 175, 177, 179, 181, 183, 185
22558GT	67, 69-70	27506GT	87	35067-200GT	175, 179		
22578GT	69-70	27807GT	128-130	35461GT	155, 171, 175		
226393GT	155	27836GT	125, 129-130	35586GT	69-70		
22692GT	83	28117GT	31-32, 35-36	35675GT	105, 109		
22699GT	76, 83, 85, 167	28158GT	11-12, 15	35956GT	157		
22700GT	69-70, 83, 85, 167	28159GT	11-12, 15	35960GT	157		
227129GT	12	28160GT	11-12, 15	36198GT	27		
227309GT	83	28161GT	11-12	36294GT	103, 111		
		28164GT	11-12	36388GT	189		
				36872GT	87	48425GT	85
				36928GT	163	48767GT	56, 149, 151, 153

Part Number	Page	Part Number	Page	Part Number	Page	Part Number	Page
48875GT	165	49119-5878GT	149	51063GT	47	54525GT	59
48880GT	141, 143, 145, 149	49120-35381GT	151, 153	52001GT	163	54530GT	95
48885GT	149	49121-2088GT	153	52086-RGT	163	54534GT	59
48890GT	151, 153	49121-25688GT	151	52087GT	18, 21-22	54542GT	27, 29, 39
48891GT	141, 143, 147	49121-27788GT	153	5224GT	27, 105, 107, 109, 173	54543GT	73
48904GT	47, 141, 143, 145, 149, 153	49133-5140GT	145	52352GT	69-70	54563GT	67
48905GT	141, 143, 145, 147, 149, 151, 153, 165	49141-2350GT	149	52371GT	133-134, 137	54567GT	27
48906GT	141, 143, 145	49141-5863GT	149	52607GT	11-12	54569GT	95, 97
48907GT	141, 143, 151, 153	49143-1504GT	165	52672GT	11-12	54570GT	95, 97
48908GT	141, 143, 145	49150-3630GT	149	52704-SGT	17-18, 21-22	54572GT	125, 127-130
48911GT	141, 145, 147	49163-1844GT	165	52705-SGT	17-18, 21-22	54578GT	73
48912GT	143, 147, 149, 151, 153	49183-10692-SGT	149	52707-SGT	39	54579GT	75-76
48914GT	147, 149	49183-6492GT	165	52720GT	127-130	54608PGT	61
48915GT	165	49207GT	125, 127-130, 141, 143, 145, 149	52723GT	127-130	54616GT	61
48916GT	149	49212GT	159	52724GT	128-130	54627GT	25
48917GT	151, 153	49214GT	159	52726GT	125, 127-130	54635GT	169
48923GT	151, 153	49215GT	159	52731GT	27	54637GT	169
48930GT	145, 149	49215GT	159	52733-SGT	29	54638GT	169
48932GT	141, 143, 149, 165	49364GT	75-76	52734-SGT	29	54639GT	169
48933GT	141, 143, 145, 147, 149, 165	49375GT	175	52866GT	67, 75-76	54640GT	169
48935GT	145, 165	49386GT	85	52897GT	137	54652GT	169
48936GT	141, 143, 145	49407GT	69-70	52906GT	133-134	54687GT	73, 75-76
48939GT	145	49408GT	81, 85, 175	52907GT	133-134	54698GT	163
48946GT	145, 149, 165	49411GT	67, 69-70, 73, 75-76	52943GT	125, 128-130	54723GT	61
48947GT	141, 143, 145	49612GT	125, 127-130	52969GT	11-12, 15	54726GT	89
48948GT	145, 149	49613GT	125, 127-130	53157-SGT	157	54815GT	127-130
48949GT	149	49768GT	41, 43	53517GT	185	54830GT	99
48959GT	149	49772GT	91	53605GT	51	54840GT	25
48960GT	141, 143, 145	49775GT	91	5365GT	43, 69-70, 161	54841-0463GT	171
48977GT	149	49816GT	63, 69-70	53758-SGT	191	54841-0888GT	171
48978GT	149	49817GT	155	53759-SGT	191	54841-0950GT	171
48983GT	149	49819GT	59	53807-SGT	157	54876PGT	171
48984GT	149	49820GT	55-56, 118, 121	53808-SGT	157	54877GT	171
48985GT	149	49826GT	167	53952GT	67, 75-76, 83	54878GT	171
48996GT	149	49859GT	141, 143	5397GT	27, 29, 39, 41, 43, 47, 51, 53, 61, 63, 75-76, 81, 83, 89, 99, 103, 105, 109, 111, 117-118, 157, 163, 167, 175, 177, 179, 181, 183, 185	54880GT	171
48997GT	133-134, 149	49915GT	67	54063GT	95, 97, 133-134	54881GT	171
48999GT	149	49924GT	69-70	54065GT	103, 105, 109	54882GT	171
49000GT	51	50294GT	113	54073GT	63	54883GT	169
49110-7592GT	145	50315GT	95, 97	54132GT	153	54884GT	169
49117-11091GT	143	50328-SGT	27	54139GT	25	54959GT	25
49117-14391GT	141, 145, 151, 153	50395GT	25	54140GT	25	54960GT	25
49117-2091-SGT	147	50396GT	25	54145-800GT	47	54961GT	25
49117-3191GT	147	50416PGT	51	54156GT	89	54962GT	25
49117-3291GT	143	50451GT	99	54157GT	95, 97	54981GT	99
49117-3791GT	147	50452GT	99, 101	54204GT	51	54983GT	99
49117-5091GT	141, 145	50455GT	89	54205GT	51	54984PGT	99
49117-5291GT	143	50466-SGT	105, 109	54207PGT	47, 67	54985PGT	99
49117-6091GT	141	50469GT	47	54234GT	25	54989GT	169
49117-6141GT	145	50479-SGT	91	54239GT	95, 97	54994GT	105, 109
49119-16178GT	151, 153	50480GT	93, 105, 109	54244-SGT	87	55014GT	83
49119-20578GT	153	50517-SGT	91	54247PGT	115	55067GT	111
49119-2078GT	143	50519GT	47	54255GT	56, 121	55753GT	63, 93, 157, 181, 183, 187
49119-21878GT	153	50542GT	93	54259GT	121	56029GT	121
49119-2278GT	151, 153	50543GT	103, 105, 109	54271GT	101	56030GT	121
49119-26078GT	151	50546GT	95, 97, 105, 109	54324GT	51	56057GT	59
49119-27478GT	151	50552GT	95, 97	54325GT	51	56093GT	167
49119-3203GT	141, 145	50570GT	53	54333GT	51	56286GT	171
49119-36178GT	151, 153	50576GT	47	54363GT	61	56424GT	115, 193
49119-37678GT	151, 153	50581PGT	61, 67	54365GT	81, 121, 185	56426-700GT	181, 183
49119-3778GT	143	50584GT	95, 97	54432GT	87	56525GT	187
49119-38578GT	151, 153	50696PGT	67	54437GT	51	56561GT	121
49119-39378GT	151, 153	50698GT	95, 97	54460GT	99	56562GT	121
49119-4178GT	153	50742GT	27	54461GT	99	56570GT	187
49119-5078GT	149	50761GT	67	54486GT	157	56680GT	47
49119-5203GT	145	50770GT	185	54510-SGT	111	56704GT	155
49119-5378GT	141	50776PGT	47	54520-SGT	103	56848GT	117-118
49119-5778GT	145	50787-SGT	69-70			56849GT	91
		50901GT	27			56912GT	25, 27, 39, 51, 85, 105, 107, 109, 115, 161
		50941GT	179			56925GT	103, 111
		50947GT	27			56934GT	193
		50952-SGT	91			57075GT	117-118
		50965PGT	63			57201GT	139
		50974GT	61			58222GT	61

Part Number Index (continued)

Part Number	Page	Part Number	Page	Part Number	Page	Part Number	Page
58223GT	61	61110GT	69-70	67, 69-70, 75-	73233GT	115, 121	
58247GT	83	61143-3963GT	145	76, 81, 85, 87,	7339GT	157	
58256GT	69-70	61195GT	167	91, 95, 97, 99,	73463-1175GT	193	
58320GT	31-32, 35-36	61211GT	167	101, 103, 105,	73464GT	39	
58354GT	75-76	61225GT	69-70, 167	107, 109, 111,	73477PGT	115	
58390GT	79	61306-SGT	105, 109	117-118, 157,	73574-SGT	115	
58402GT	163	6145GT	63, 85, 87, 103, 157	159, 161, 163, 167, 181, 183	73575GT	115	
58415GT	67, 75-76	6146GT	43, 47, 61, 63, 69-70, 73, 75-	66472GT	181, 183	73610PGT	115
58431GT	139		76, 85, 161	66812GT	55-56, 117-118	73612GT	175
58438GT	17-18, 21-22	61726GT	161	66813GT	117-118	73634GT	161
58490GT	51	6175GT	18, 22, 27, 29, 53, 61, 63, 91, 93, 163, 185	66815GT	117-118	73711GT	121
58531GT	17-18, 21-22	6178GT	47, 59, 61, 63, 69-70, 91, 95, 97, 118, 121, 155, 167, 185	66816GT	117-118	73712GT	167
58589GT	17-18, 21-22	61801GT	56	66818GT	55-56, 117-118	73713GT	121
58632GT	81	61972GT	161	6708GT	27, 29, 39	73714GT	56
58919GT	99, 101	61974GT	161	67631GT	69-70	73717GT	56, 121
58920GT	99, 101	61975GT	161	6782GT	61, 111, 185	73723GT	121
58927GT	99, 101	61987GT	161	6833GT	63, 91, 181, 183	73736GT	56, 121
58944GT	163	6198GT	47, 51, 67, 69- 70, 73, 75-76, 83, 85	6878GT	101, 173	73739GT	115
58954GT	163	61998GT	161	6884GT	63, 163	73749GT	56
60037GT	63	62263GT	125, 128-130	6886GT	157	73751GT	56
60042GT	113	62273GT	125, 128-130	6888GT	25, 27, 31-32, 35-36, 39, 51, 53, 59, 61, 63, 75-76, 91, 101, 103, 105, 109, 161, 181, 183	73753GT	55-56
60047-SGT	155	62337GT	133-134	6889GT	31-32, 35-36, 53, 63, 157, 167, 173, 183	73754GT	56
60139GT	51	62341GT	133-134	6935GT	53, 117-118, 121	73803GT	121
60143-SGT	51	62346GT	133-134	69776GT	167	73805GT	55-56
60160PGT	115	62385GT	118	70367GT	73	73807GT	137
6019GT	53, 61, 73, 75- 76, 83, 95, 97, 103, 105, 109, 118, 163, 175, 177, 179	62392GT	123	70375GT	69-70	73900GT	113
6021GT	18, 22, 27, 29, 39, 41, 43, 47, 51, 53, 61, 91, 93, 107, 167, 173	62420GT	67, 75-76	70381GT	69-70	74006GT	118
60334GT	61	62421GT	75-76	70385GT	67	74052GT	118
6033GT	18, 22, 39, 63, 69-70, 83, 89, 91, 93	62433GT	75-76	70389GT	167	74389GT	27, 29
6036GT	63	62506GT	137	70452GT	67, 69-70, 73, 85	74712GT	47
60435GT	56	62507GT	137	70453GT	67	74911GT	59
60443GT	121	6272GT	59	70460PGT	69-70	74913GT	59
60526GT	56, 121	62815GT	133-134	70461PGT	67	74917GT	59
60527GT	56, 167	62926GT	11-12, 15	70488GT	175	74920GT	59
60528GT	56, 167	62927GT	11-12, 15	70529GT	175	74921GT	59
60585GT	73	62947GT	11-12, 15	70534GT	93	74922GT	59
60707GT	167	62948GT	11-12, 15	7056GT	53, 117-118, 121, 167	74923GT	59
60738GT	167	6326GT	89, 99	70575PGT	53	74924GT	59
60739GT	167	63375GT	118	70602GT	51	74990GT	128-130
60757GT	56, 167	63463GT	67, 75-76	70603GT	53	75020GT	75-76
60790GT	167	6356GT	25, 41, 43, 51, 53, 103, 105, 109, 111, 117- 118, 157	70606GT	61	75041GT	61, 167
60857GT	61, 67	65301GT	11-12	70608GT	65	75073GT	61, 63
60868GT	76	65449GT	129-130	70609GT	65	75076GT	61, 63
60875GT	175	65473GT	75-76, 85	70616GT	27	75159GT	85
60887GT	167	65630GT	187	70639-2878GT	149	75278-1829GT	149
6090GT	51, 53, 55-56, 61, 63, 67, 81, 107, 111, 161, 181, 183	65636GT	75-76	70642PGT	159	75278-2054GT	165
6091GT	39, 51, 53, 59, 61, 63, 67, 69- 70, 75-76, 81, 87, 91, 95, 97, 99, 101, 103, 107, 109, 111, 157, 159, 161, 163, 181, 183	65638GT	76	70644-75792GT	159	75278-2229GT	149
60922GT	157	65688GT	95, 97	70645GT	65, 87	75278-4579GT	165
6095GT	47, 51, 63, 67, 69-70, 73, 75- 76, 83, 85, 91	65789GT	105, 109	70646GT	65, 87	75278-5129GT	165
6096GT	83	6578GT	185	70648PGT	167	75278-8229GT	149
6097GT	31-32, 35-36, 61, 67, 69-70, 73, 85, 91, 95, 97, 161, 167, 171, 173	65790GT	95, 97	70649PGT	177, 179	75443GT	123
		65791GT	27	70671GT	93	75444GT	123
		65810GT	67, 75-76	70675PGT	53	75445GT	123
		65841GT	163	70685PGT	91	75446GT	123
		6584GT	43, 69-70	71038GT	191	75447GT	123
		65888GT	63	71911GT	177	75448GT	123
		65892GT	63	72043GT	125, 128-130	75449GT	123
		66031GT	63	72255GT	69-70	75574GT	147
		6637GT	41, 43, 91, 95, 97, 167	72282GT	155	75617-1538GT	183
		6638GT	25, 27, 31-32, 35-36, 39, 41, 43, 51, 53, 55- 56, 59, 61, 63,	72284GT	85	75617-1675GT	181, 183
				72326GT	56, 117-118, 155	75617-2275GT	181, 183
				72343GT	73, 83	75617-4788GT	183
				72348GT	73	75617-6275GT	183
				72442GT	11-12, 15	75617-6475GT	181, 183
				72847GT	11-12	75631GT	81
				72867GT	11-12, 15, 185	75636GT	181, 183
				72875GT	187	77014GT	93
						77051GT	103, 111
						77066GT	51
						77069GT	51
						77071GT	51
						77072GT	51
						77103GT	151, 153
						77106GT	95
						7713GT	89, 91, 99, 103

Part Number Index (continued)

Part Number	Page	Part Number	Page	Part Number	Page	Part Number	Page
77162GT	125	824083GT	187	88752GT	18, 21-22, 25, 29	94666GT	17-18, 21-22,
77163GT	125	824090GT	115	88832GT	65		31-32, 35-36
77181GT	107, 111	824091GT	25	88846GT	75-76	94667GT	17-18, 21-22,
77189GT	93	82410GT	193	88847GT	75-76		31-32, 35-36
77245PGT	69-70	824164GT	95, 97, 105, 109	88917GT	51	94670GT	17-18, 21-22,
77246GT	47	82431GT	139	88987PGT	73		32, 36
77247GT	163	82472GT	15	88988PGT	75-76	94671GT	17-18, 21-22,
77275GT	171	82473GT	15	88989PGT	75-76		32, 36
77285GT	65	824879GT	55-56, 117-118	88990PGT	76	94681GT	65
77295GT	83	82487GT	15, 193	8914GT	59, 91, 117-118,	94682GT	65
77303GT	89	825019GT	18, 21-22, 27,		157	94745GT	115
77309GT	145		29, 39, 93, 95,	8915GT	61, 69-70, 75-	94745PGT	157
77311-5906GT	145		97, 103, 105, 109		76, 87, 105, 107,	94762GT	75-76
77312-3577GT	145	82544GT	15		109, 159	94889GT	75-76
77351GT	121	82548GT	15	89310GT	127-130	94914PGT	73
77353GT	51	8255GT	47, 51, 61, 93,	89575GT	59	94927GT	73
77354GT	51		107, 109, 171	89718GT	163	9599-SGT	157
77362GT	93	825796GT	17-18, 21-22,	89719GT	163	96008-SGT	55-56
77363GT	103, 105, 109		25, 29	89756GT	91	97128GT	47, 91, 95, 97
77364GT	93, 103, 105, 109	82587GT	15	89759GT	75-76	97461GT	75-76
77365GT	51	82601GT	15	89763GT	75-76	97548GT	11-12
77375GT	95, 97	82602GT	15	89765GT	75-76	97602GT	11-12
77376GT	95, 97	82604GT	15	89771GT	75-76	97815GT	11-12, 15
77402GT	69-70, 75-76	82612GT	15	89772GT	75-76	97887GT	12
77409GT	27	82633GT	15	89773GT	75-76	98154GT	161
77410GT	95, 97	82646GT	15	89780GT	69-70	99174GT	161
77419GT	65	82918GT	11-12	89792GT	69-70	9990184GT	31-32, 35-36
77430GT	59	83098GT	123	89813GT	83	T107284GT	43
7746PGT	157	83131GT	55-56	89862GT	137	T107827GT	87
77476GT	73	8357GT	67, 73, 75-76	89863GT	133-134	T107883GT	105, 109
77478GT	73	84134GT	125, 127-130	89864GT	137	T107884GT	103, 105, 109
77482GT	75-76	84135GT	125, 127-130	89908GT	167	T108075GT	103, 105, 109
77521GT	89	8425GT	167	89953GT	75-76	T108109GT	65
77524GT	63	85053GT	76	94077GT	87	T108153GT	65, 117-118
77664GT	193	85059GT	76	94195GT	95, 97, 111	T109328GT	157
77683GT	193	85155GT	73	94374-10830GT	149	T111107GT	121
77788GT	139	8516GT	51, 53, 67, 69-	94378PGT	75-76	T111453GT	43
77797GT	181, 183		70, 85, 93, 95,	94464-4386GT	143	T111608GT	163
78098GT	185		97, 103, 105,	94464-4886GT	143, 145	T111609GT	163
79456GT	97, 107, 109		109, 163	94464-4986GT	141	T111610GT	163
80391GT	75-76, 175	85239GT	55-56	94464-5086GT	147	T111611GT	163
80543GT	118	85300GT	187	94464-6286GT	141	T111612GT	163
81013GT	139	88203GT	89	94464-6586GT	145	T111613GT	163
81069GT	167	88269GT	61	94485GT	69-70	T112018GT	85
81096GT	117-118	88296GT	31-32, 35-36	94492PGT	161	T112560GT	118
81175GT	105, 109	88337GT	27, 29	94493-SGT	193	T112561GT	118
81368GT	187	88338GT	27, 29	94506GT	55-56, 117-118	T112563GT	118
81458GT	118	88356-11105GT	47	94526GT	51	T112626GT	123
81487PGT	121	88356-11163GT	91	94529GT	91	T114678GT	69-70
81488GT	117-118, 121	88356-11205GT	91, 95, 97	94530GT	91		
81532GT	181, 183	88370PGT	91	94531PGT	91		
81550GT	121	88377-1400GT	193	94536GT	17-18, 21-22,		
81551GT	121	88384GT	181, 183		25, 31-32, 35-36		
81570GT	118	88385GT	181, 183	94549GT	121, 161		
81578GT	63	88390GT	181, 183	94614GT	133-134		
81640GT	107, 109	88450GT	83	94616GT	133-134		
81669GT	139	88451GT	79	94617GT	133-134		
81691GT	43	88452GT	79	94618GT	134		
8177GT	51, 69-70, 89,	88516GT	111	94642GT	161		
	91, 93	88606PGT	157	94643GT	149, 161		
81812-3592GT	143	88607PGT	157	94656GT	17-18, 21-22,		
81812-3892GT	145	88609-SGT	157		31-32, 35-36		
81812-3992GT	141	88635-4024GT	47, 149	94657GT	17-18, 21-22,		
82238GT	11-12, 15	88636-9073GT	147		31-32, 35-36		
82240GT	15	88637GT	55-56	94658GT	25		
822760GT	183	88676GT	89, 93	94659GT	25		
82366GT	11-12	88721-72000GT	65, 121	94660GT	17-18, 21-22,		
824027GT	115	88721-73000GT	56, 65, 121		25, 31-32, 35-36		
824029GT	115	88722-72000GT	65, 121	94661GT	25		
824038GT	193	88722-73000GT	56, 65, 121	94662GT	17-18, 21-22,		
824042GT	31-32	88723-71000GT	65, 121		32, 35-36		
824050GT	47	88723-72700GT	56, 65, 121	94663GT	17-18, 21-22,		
824051GT	47	88724GT	65		32, 36		
824052GT	47	88725GT	65	94664GT	25		
824078GT	115	88728GT	17-18, 21-22,	94665GT	25		
824079GT	115		25, 31-32, 35-36				

Part Description Index

The Part Description Index is an alphabetical index of all part descriptions included in this manual. The index shows what page(s) the part is used on.

A

ACC,FALL ARREST BAR,6FT FR.....189
 ACC,FALL ARREST BAR,6FT SYM.....189
 ACC,FALL ARREST BAR,6FT WORD.....189
 ACC,PLAT CONTROL COVER, SERV.....157
 ACCESSORY,PANEL CRADLE,ANSI.....193
 ADAPTER CABLE, JS100 JOYSTICK.....65,
 117-118
 ADAPTER, 1/8 X 1/4 F3H6-S.....191
 ADAPTER,140130-4-4.....191
 ADAPTER,140139-8-6.....191
 ADAPTER,MIXER/THROTTLE BODY.....79
 ADAPTER,NPT 6-4.....191
 ADJUSTABLE STRAP ASSY.....193
 Air Cleaner Bracket.....67
 AIR CLEANER CAP/ FORD/NOLFF***.....83
 AIR CLEANER,FORD,T3.....83
 AIR CLEANER,NELSON***.....67, 75-76
 AIR INTAKE TUBE ASSY.....69-70
 ALARM PKG,ACC,Z45 IC.....155
 ALARM,CHIME TONE 5-25VDC***.....56, 155
 ALARM,INTERMITTENT TONE 6-30V*.....155
 ALARM,WARBLE TONE 5-30 VDC***.....117-
 118
 ALTERNATOR, DEUTZ F3L10/F4L10*.....69-
 70
 ALTERNATOR,65 AMP,PERKINS 404.....73
 ALTERNATOR,FORD DSG423,MSG425.....83
 ANGLE,RELAY MNT,W/NUTSERTS,PNT.....59
 ASSEMBLY, AUX POWER UNIT, 12VD.....51
 ASSEMBLY, ENGINE TRAY.....61, 75-76, 85,
 87
 ASSEMBLY, FUEL TANK, Z45 GAS.....51
 ASSEMBLY,FOOT SWITCH***.....115, 121
 ASSEMBLY,PRIMARY BOOM,Z45 JIB.....97
 ASSEMBLY,PRIMARY BOOM,Z45 NJ.....97
 ASSEMBLY,TERMINAL RAIL.....59
 ASSM, GEN. ONLY, 110V, 60HZ.....163
 ASSY, CIRCUIT BREAKER 15A.....55-56
 ASSY, FORD PRE FILTER.....177
 ASSY, LS, LOAD SENSE, 89 IN.....65, 161
 ASSY, MED. PRESS. FILTER, SAE8.....67
 ASSY,4FT PLATFORM, NO DECALS.....113
 ASSY,5FT PLATFORM, NO DECALS.....113
 ASSY,6' PLAT WELDMENT W/SIDE
 GATE.....113
 ASSY,6FT PLAT DUAL LG,BLANK W/SIDE
 SWING GATE.....113
 ASSY,6FT PLATFORM,NO DECALS.....113
 ASSY,AIRCRAFT PROT, LOWER, 6FT.....183
 ASSY,ALC500 BOARD HEATER.....121
 ASSY,COVER,HYD TANK,Z45/51 IC.....63
 ASSY,DEUTZ PRE FILTER.....175
 ASSY,LS,LOAD SENSE,38.5 IN.....65, 161
 ASSY,PCB ALC500 GENII Z45 V201.....121
 ASSY,PERKINS PRE FILTER.....179
 ASSY,RELAY SOCKET, AUTO.....59
 ASSY,SIDE SWING GATE.....115
 ASSY,TRACK,FALL ARREST BAR,6FT
 FR.....189
 ASSY,TRACK,FALL ARREST BAR,6FT
 SYM.....189
 ASSY,TRACK,FALL ARREST BAR,6FT
 WORD.....189
 AUX TOP RAIL,6'(1.25")SERVICE.....157

AUX TOP RAIL,6',SWG GT, SRV.....157
 AUX TOP RAIL,8'(1.25")SERVICE.....157
 AUX TOP RAIL,8',SWG GT, SRV.....157
 AXLE.....25
 AXLE ASSY,FRONT,NARROW Z45/Z51.....29
 AXLE ASSY,FRONT,WIDE Z45/Z51.....27
 AXLE ASSY,REAR,NARROW Z45/Z51.....39
 AXLE ASSY,REAR,WIDE Z45/Z51.....39

B

BACKING PLATE, HOSE BLOCK, JIB.....107,
 109
 BACKING PLATE, PULLTUBE.....101
 BACKING, HOSE CLAMP PTD.....99
 BAFFLE, AIR CLEANER (27915)**.....67, 75-
 76
 BAFFLE,FORD,Z45/51.....61
 BALL STUD**.....61
 BAR,AXLE ROTATION STOP***.....39
 BASE, W/1 N.O. CONTACTS***.....117-118
 BASE,W/2 NC CONTACTS***.....55-56
 BASE,W/3 NC CONTACTS.....55-56, 117-118
 BATTERY CABLE,1/0,BLACK,102".....87
 BATTERY CABLE,1/0,BLK,91"****.....65
 BATTERY CABLE,1/0,RED,105"****.....65
 BATTERY CABLE,1/0,RED,94".....87
 BATTERY CABLE,BLK,#2,5/16,3/8*.....65, 87
 BATTERY CABLE,RED#2,5/16,5/16.....65, 87
 BATTERY HOLD DOWN.....87
 BATTERY, 12V,900 CCA.....67, 87
 BEARING KIT (45553) TORQUE HUB.....17-
 18, 21-22
 BEARING KIT, OMNI.....17-18, 21-22
 BEARING KIT,4HP.....31-32, 35-36
 BEARING KIT,OMNI***.....31-32, 35-36
 BEARING KIT,TORQUE HUB (20193).....17-
 18, 21-22
 BEARING KIT,WHEEL DRIVE W/BRAKE
 (101584/101585).....31-32, 35-36
 BEARING NUT***.....31-32, 35-36
 BEARING,1.00IDX1.25ODX1.00L.....17-18, 21-
 22, 27, 29, 61, 87
 BEARING,1.25IDX1.50ODX1.50L.....27
 BEARING,1.25IDX1.50DX1.00L.....93
 BEARING,1.5IDX1.75ODX1.5L.....17-18, 21-
 22, 27, 29, 39, 89
 BEARING,1.5IDX1.75ODX1.5L,PTFE.....25
 BEARING,2.0IDX2.25ODX1.50L.....89, 93
 BEARING,FL,1.25IDX1.41ODX1.50L.....103,
 105, 109, 111
 BEARING,FL,1.25IDX1.50DX1.25L.....105, 109
 BEARING,FL,1.5IDX1.75ODX1.10LG.....89
 BEARING,GARLOCK,12FDU12.....161
 BEARING,INNER,9 BOLT HUB***.....25
 BEARING,MOTOR.....163
 BEARING,OUTER,9 BOLT HUB***.....25
 BEARING,POLYGON,20DU12.....27, 103, 105,
 109
 BEARING,POLYGON,BM5120.....93
 BEARING,SWING CHASSIS.....47
 BELL HOUSING KIT,FORD DSG423.....83
 BELLCRANK,JIB,WELD/Z45/25***.....105, 109
 BELLOWS,CYL.KIT,Z45&Z51 JIB.....169
 BELLOWS,CYLINDER KIT,Z45 N/JIB.....169
 BELLOWS,JIB CYLINDER.....169
 BELLOWS,MASTER CYLINDER.....169
 BELLOWS,PRIMARY CYLINDER,JIB.....169
 BELLOWS,PRIMARY CYLINDER,N/JIB.....169
 BELLOWS,SECONDARY,ELEVATE
 CYL.....169
 BELLOWS,SLAVE CYLINDER.....169
 BELLOWS,STEERING CYLINDER.....169
 BELLY WEIGHT, Z45,IC NARROW.....45
 BELT, V (PERKINS 404).....75-76
 BELT,AX33***.....167
 BELT,SERPENTINE,DSG-423.....81
 BELT,V, DEUTZ DIESEL ENGINE.....69-70
 BLOCK,CABLE CLAMP,2/0 DOUBLE.....61
 BOLT, CARRIAGE, 3/8-16 X 1.50, G5.....167
 BOLT,CARRIAGE,1/4-20 X .75,G2.....101, 173
 BOLT,CARRIAGE,1/4-20 X 1.00,G2.....97, 107,
 109
 BOLT,CARRIAGE,1/4-20 X 1.75,G2.....39
 BOLT,CARRIAGE,1/4-20 X 2.75,G2.....107, 109
 BOOM REST WELDMENT.....91
 BOOT(BELLOWS),E-STOP,BLACK.....117-118
 BOOT,ROCKER JOYSTICK 75565.....123
 BOOT,JOYSTICK.....123
 BOOT,PLUG 4 WAY.....115
 BOOT,TOGGLE SWITCH,SHORT*.....55-56,
 117-118, 167, 181, 183, 185
 BOTTLE,COOLANT RECOVERY,3.7***.....73
 BOX,INSTRUCTION STORAGE.....115
 BRACKET, ANGLE.....51
 BRACKET, CABLE CLAMP.....39
 BRACKET, FUEL TANK, TOP MOUNT.....51
 BRACKET, HOSE CLAMP SUPPORT.....103
 BRACKET, PRE-CLEANER, FORD.....177
 BRACKET, PRECLEANER TUBE.....175
 BRACKET,AIR HOSE TO PLAT PAINT.....159
 BRACKET,COOLANT TANK MOUNT PNT.....73
 BRACKET,DRIVE SENSOR,ENABLE.....47
 BRACKET,EXT BOOM SEAL,JIB,PNTD.....171
 BRACKET,EXT.BOOMSEAL, TOP,N/JIB.....171
 BRACKET,FRONT DRIVE HOSES,LH.....27
 BRACKET,FRONT DRIVE HOSES,RH.....27
 BRACKET,GEN.REGULATOR MT PAINT...167
 BRACKET,GENERATOR MOUNT,PAINT....47,
 67
 BRACKET,HIGH PRESSURE FILTER.....61
 BRACKET,HOSE CLAMP PAINTED***.....91
 BRACKET,HOSE CLAMP SUPPORT.....103
 BRACKET,HOSE CLAMP,PAINTED.....105,
 107, 109
 BRACKET,LATCH MOUNT,RH**.....87
 BRACKET,MANIFOLD MOUNT PAINTED...53
 BRACKET,MID PRES OIL FILTER,PA.....67
 BRACKET,MUFFLER,DEUTZ 3 CYL PN....69-
 70
 BRACKET,OSC HOSE BULKHEAD.....27
 BRACKET,OSCILLATING VALVE.....43
 BRACKET,PERKINS MUFFLER PAINTD.....73
 BRACKET,PLATFORM HEATER OPT.....121
 BRACKET,POWER TO PLAT, DOM.....117-
 118
 BRACKET,POWER TO PLAT, UK.....118
 B R A C K E T , R E G U L A T O R
 SUPPORT,PNTD.....85
 BRACKET,RELAY BLOCK MOUNT.....81
 B R A C K E T , R U B B E R
 BUMPER,ENGCOVER.....61
 B R A C K E T , S O L E N . M O U N T
 BRACE,PNTD.....69-70

BRACKET,SOLENOID MOUNT PAINT.....69-70	CLAMP, ARCTIC HOSE.....99, 105	CONN,520120-4***....141, 143, 145, 147, 149, 151, 153, 165
BRACKET,TENSIONER.....81	CLAMP, CABLE.....39	CONN,520120-4-6***...143, 147, 149, 151, 153
BRACKET,WORK LIGHT MOUNT 5/16".....157	CLAMP, JIB HOSE/CABLE, Z45/51.....101	CONN,520120-4-8.....147, 149
BRACKET-PANEL-WIRE MOUNTING 99.....59	CLAMP, PRI, HOSE/CABLE, Z45/51.....97	CONN,520120-6-8.....145, 149
BRAKE KIT, SWING DRIVE.....47	CLAMP,0.50,#8 X 1/4,RUB CUSH.....63, 91, 181, 183	CONN,520120-8***....141, 143, 145, 147, 149, 165
BREATHER CAP,RFM165.....51	CLAMP,0.63,#10 X 1/4,RUB CUSH.....159	CONN,520120-8-10.....145, 149, 165
BRIDGE,50A FULL WAVE**.....163	CLAMP,0.75,#12 X 1/4,RUB CUSH.....51, 159	CONN,520120-8-12.....145, 149
BRKT,AIR CLEANER ORIENTATION**.....67, 75-76, 83	CLAMP,1.00,#16 X 1/4,RUB CUSH.....63	CONN,520120-8-16.....149
BRKT,EXT.BOOMSEAL,BOTTOM,N/JIB.....171	CLAMP,1.13,#18 X 1/4,RUB CUSH...103, 181, 183	CONN,LONG,520122-6.....151, 153
BRUSH 3/8 X 1/4 X 15/16(36928).....163	CLAMP,1.25X.5 RUBBER-CUSHION.....115, 193	CONN,PLUG 120 AC/15A DOMESTIC.....53, 163
BRUSH ENDBELL ASSEMBLY (35659).....163	CLAMP,1.38,#212X3/8,RUB CUSH.....83	CONN,PLUG 24 WAY,DRC SERIES.....56
BRUSH ENDBELL ASSEMBLY (89719).....163	CLAMP,1.50,#24 X 1/4,RUB CUSH.....103	CONN,PLUG 4 WAY,12-14GA.....56, 167
BRUSH FILAMENT,SEALEZE,4.63"LG.....171	CLAMP,1.63,#26 X 3/8,RUB CUSH.....107, 111	CONN,PLUG 40 WAY,DRC SERIES.....56
BRUSH FILAMENT,SEALEZE,8.88"LG.....171	CLAMP,1.88,#30 X 3/8,RUB CUSH.....63	CONN,RECEP 120AC/15A DOMESTIC.....53, 163
BRUSH FILAMENT,SEALEZE,9.50"LG.....171	CLAMP,CABLE & HOSE,PLASTIC.....95	CONN,RECEP 24 WAY,W/FLANGE.....55-56
BULB,WORKLIGHT,12V 35W.....157	CLAMP,EXHAUST,2.00 PLATED.....67	CONN,RECEP 4 WAY,12-14GA FL***.....56, 121
BULKHEAD,TANKSIDE.....53	CLAMP,HOSE ROUTE,2X#4,LOOM.....103	CONN,RECEP 40 WAY,W/FLANGE.....56
BUMPER, PLASTIC, 1.25 O.D.....63, 93, 157, 181, 183, 187	CLAMP,HOSE Z-45 PRIMARY.....99	CONN,RECEP 48 WAY,4 X 12.....56, 121
BUMPER,BATTERY BOX & RAILS.....115	CLAMP,HOSE,.63" - 1.0" X .5".....83	CONN,SQUEEZE,1/2NPT .38-.50,SM.....53, 117-118, 121, 167
BUMPER,RUBBER***.....61, 67, 157, 161	CLAMP,HOSE,1.50.....83, 85	CONN, ASSY,7.9 TUBE X6.35 HOSE.....63
BUMPER,RUBBER,.75 X .50H,STUD.....189	CLAMP,HOSE,2.25" DIA.....73, 75-76	CONN, BODY, 6.35 X 14.1, FORD.....63
BUMPER,RUBBER,COVERS.....61	CLAMP,HOSE,2.50***.....83, 175, 177, 179	CONNECTING LINK, Z45/25.....91
BUMPER,RUBBER-1 X 1.25.....61	CLAMP,HOSE,8.50 DIA***.....69-70	CONNECTOR, DEUTZ FUEL SHUTOFF*..69-70
BUSHING, STRAIN RELIEF, .875/.30.....53	CLAMP,HOSE,ALUMINUM.....95	CONNECTOR,010102-6-4.....85
BUTTON,PUSH,BLACK W/SEAL***.....117-118	CLAMP,JIB HOSE Z45.....99, 105	CONNECTOR,BULKHEAD,FEMALE-4.....149
BUTTON,PUSH,RED MUSHROOM HEAD.....55-56, 117-118	CLAMP,JIB HOSE/CABLE,ARCTIC.....109	CONNECTOR,MOLEX 24-WAY**.....121
	CLAMP,JIB HOSE/CABLE,Z45/51.....107, 109	CONTACT, N.C.....55-56, 117-118
	CLAMP,MUFFLER, 2.50 INCH.....177	CONTACT,N.O.***.....117-118
	CLAMP,MUFFLER,1-7/8 IN.....83	CONTROL BOX COVER ASSY***.....157
	CLAMP,MUFFLER,2 1/4" ID.....67	CONTROL BOX COVER,LID,PTD.....157
	CLAMP,RUB CUSH,0.75,#12 X 3/8*.....69-70, 159	CONTROL MODULE,DSG-423.....85
	CLAMP,RUBBER CUSHIONED-2 5/32.....105, 109	CONTROLLER W/O COILS (77788).....139
	CLAMP,SPRING,1/2".....79	COOLANT RECOVERY BOTTLE 1.5 QT*.....85
	CLAMP,SPRING,7/16".....83	CORD AC IEC320-C19 TO 110UK.....53
	CLAMP,TWO HOSE.....105, 107, 109	CORD AC IEC320-C19 TO 220EU.....53
	CLAMP,TWO HOSE,ARCTIC.....109	CORROSION INHIBITOR,FOAM.....59
	CLAMPING BLOCK, CABLE, Z45/51.....91	COUNTERWEIGHT,CAST,3500LBS.....63
	CLAMPING BLOCK,CABLE.....91	COUPLER,HUB,15 TOOTH 7/16BOLT*.....69-70, 83
	CLAMPING BLOCK,HOSE***.....91	COUPLER,SMALL METAL,15T,***.....75-76
	CLEVIS YOKE-1/4-28,PLTD W/PIN.....41, 43, 69-70	COVER ASSY,DTZ HOST ENV,SYMB.....175
	CLIP,AIR CLEANER COVER (58247).....83	COVER ASSY,DTZ HOST ENV,WORD.....175
	CLIP,AIR CLEANER END CAP***.....67, 75-76	COVER ASSY,IC,ENGINE SIDE.....61
	COIL ASSEMBLY.....79	COVER ASSY,PKNS HOST ENV,SYMB.....179
	COIL, SOLENOID VALVE, 12V 2PIN.....128-130	COVER ASSY,PKNS HOST ENV,WORD.....179
	COIL,10V DC,DEUTCH W/DIODE***.....133-134	COVER CAP,TORQUE HUB***.....17-18, 21-22
	COIL,12VDC #8 DTSCH IP69 ECOIL.....137	COVER W/DECALS,STEER,OSC,Z45.....27
	COIL, GREEN W/ 2 PIN CONNECTOR*.....125, 128-130	COVER, CABLETRACK TRAY, Z51.....101
	COLLAR,JOYSTICK,CENTER.....123	COVER, FOOT SWITCH, LARGE.....115
	C O M P R . L I N K , M A C H I N E D , G N D	COVER, JIB HOSES/CABLES.....107, 109
	CONTR*.....105, 109	COVER, UPPER PIVOT.....91
	CONN PLUG 12 WAY ENDCAP DT BK.....56	COVER,BLANK.....118
	CONN PLUG 12 WAY ENDCAP DT BR.....56	COVER,CABLETRACK TRAY,Z40/45.....101
	CONN PLUG 12 WAY ENDCAP DT GR.....56	COVER,CENTER SWING CHASSIS,PTD.....53
	CONN PLUG 12 WAY ENDCAP DT GY.....56	COVER,CONTROL BOX LEFT SIDE***.....157
	CONN PLUG 4 WAY ENDCAP DT.....115	COVER,CONTROL BOX RIGHT SIDE**.....157
	CONN RECEP,FLANGED.....121	C O V E R , D R C H A S S I S
	CONN, 520120-6.....149	FRONT, NON-OSC.....185
	CONN,520120-12-16.....149	COVER,DUST,IDLER,FORD DSG423.....79
	CONN,520120-16.....149	COVER,FLYWHEEL CASTING.....69-70
		COVER,GFCI,HORIZONTAL,WEATHER.....118

C

CABLE COVER,JIB PAINTED.....105
 CABLE TIE,7 3/8".....185
 CABLE TRACK, NP400, 23 LINK.....101
 CABLE TRACK, NP400, 31 LINK.....101
 CABLE TRACK,PLASTIC,26 LINK*.....99
 CABLE TRACK,PLASTIC,35 LINK.....99, 101
 CAP ASSY, COOLANT BOTTLE.....73
 CAP, OIL FILLER.....75-76
 CAP,COOLANT 3/4.....83
 CAP,COOLANT RECOV.BOTTLE.....85
 CAP,DIAGNOSTIC NIPPLE.....141, 143, 145, 149
 CAP,DISENGAGE,4HP/4HB***.....31-32, 35-36
 CAP,DISENGAGE,OMNI***.....17-18, 21-22, 31-32, 35-36
 CAP,DISENGAGE-45553 TORQUE HUB....17-18, 21-22
 CAP,DUST (54840 HUB ASSY).....25
 CAP,DUST,45873 HUB KIT.....25
 CAP,EPDM,5/16".....79, 83
 CAP,FUEL,DIESEL,1/8"VENT(GRN).....51
 CAP,FUEL,GASOLINE 3.5PSI.....51
 CAP,OIL FILLER,FORD DSG 423.....81
 CAP,PLASTIC,2.5 ID.....175
 CAP,PROT.,RED,1.38ID X .75 DP.....51
 CAP,RADIATOR,PERKINS/FORD.....75-76, 85
 CAPACITOR,3 MF,50VDC.....59
 CAPACITOR,TIME DELAY.....65
 CHAIN,NO.2 (11 LINKS).....181, 183
 CHANNEL,CABLE TRACK COV,NONJ,P.....99
 CHANNEL,CABLE TRK COVER,JIB,PA.....99
 CHECK VALVE KIT,77066.....51
 CIRCUIT BREAKER, 12.5 AMP.....167
 CIRCUIT BREAKER, 30 AMP.....167
 CIRCUIT BREAKER,15 AMP.....167
 CLAMP, #4 HOSE, AIR AND LOOM.....103

Part Description Index (continued)

- COVER,MANIFOLD BOX MOUNT,PTD.....53
COVER,REAR AXLE,WIDE.....31-32, 35-36
COVER,REWORK,DEUTZ GENERATOR...167
COVER,TRNTBL,RH,W/SYM DECALS.....63
COVR W/DECALS,NON-STEER Z45/25.....39
CYLINDER,ELEVATE,Z45/25***.....89
CYLINDER,EXTEND,Z45 NON JIB.....95, 97
CYLINDER,EXTEND,Z45J***.....95, 97
CYLINDER,JIB,Z45,#4 PORTS***.....105, 109
CYLINDER,MASTER,Z45***.....93
CYLINDER,OSCILLATE,Z45***.....27
CYLINDER,PRIM LIFT JIB,Z45.....93
CYLINDER,PRIM LIFT NON JIB,Z45.....93
CYLINDER,SLAVE,Z45***.....103, 105, 109
CYLINDER,STEER.....27, 29
- D**
- DECAL KIT,Z45IC COMP,SYM,CE.....15
DECAL KIT,Z45IC COMP,WORD,ANSI.....11-12
DECAL KIT,Z45IC COMP,WORD,AUST.....11-12
DECAL KIT,Z45IC COMP,WRD,AUST.....11-12
DECAL KIT,Z45IC PLAT,SYM,ANSI.....15
DECAL KIT,Z45IC PLAT,SYM,CE.....15
DECAL KIT,Z45IC PLAT,WORD,ANSI.....11-12
DECAL KIT,Z45IC PLAT,WORD,AUST.....11-12
DECAL KIT,Z45IC PLAT,WRD,AUST.....11-12
DECAL KIT,Z45JIC COMP,SYM,ANSI.....15
DECAL KIT,Z45JIC COMP,SYM,CE.....15
DECAL KIT,Z45JIC COMP,WRD,ANSI.....11-12
DECAL KIT,Z45JIC COMP,WRD,AUST.....11-12
DECAL KIT,Z45JIC PLAT,WRD,ANSI.....11-12
DECAL KIT,Z51JIC COMP,WRD,AUST.....15
DECAL PLATE ASSEMBLY.....115
DECAL, GROUND CONTROL PANEL.....11-12, 15
DECAL, POWER TO PLATFORM 230V**.....11-12, 15
DECAL, SYMBOL - READ THE MANUAL...15, 193
DECAL,ARROW BLUE.....11-12, 15
DECAL,ARROW YELLOW LRG 9".....11-12, 15
DECAL,CHEVRON RANDO HD.....11-12
D E C A L , C O S M E T I C , G E N I E BOOM,HORZ.....11-12, 15
DECAL,COSMETIC,GENIE Z-45/25.....11-12, 15
DECAL,COSMETIC,GENIE Z-45/25J.....11-12, 15
DECAL,COSMETIC,IC POWER 4 X 2.....11-12, 15
DECAL,COSMETIC,IC POWER 4 X 4.....11-12, 15
DECAL,DANGER DO NOT ALTER SWTC.....11-12
DECAL,DANGER,ELEC.HAZ.STAY CLR.....15
DECAL,DANGER,ELECT HAZARD***.....12
DECAL,DANGER,GENERAL SAFETY.....12
DECAL,DANGER,MAX CAP,200KG.....15
DECAL,DANGER,MAX SIDE FRC,667N.....15
DECAL,DANGER,NO SMOKING.....12
DECAL,DANGER,SIDE FRC 400N.....15
DECAL,DANGER,TILT ALARM.....12
DECAL,DANGER,TIP-OVER,TIRES***.....11-12
DECAL,DANGER,TIPOVER HAZARD***.....11-12
DECAL,DIESEL.....11-12, 15
DECAL,DRIVE ENABLE PATCH.....15
DECAL,EMERGENCY LOWERING IC.....15
DECAL,ENGINE SPEC,DEUTZ 2011.....11-12
DECAL,ENGINE SPEC,PERKINS***.....12
DECAL,EXPLOSION HAZARD.....11-12
DECAL,FORD ENGINE SPEC DSG423.....12
DECAL,FUNCTION OVERRIDE.....11-12
DECAL,HIFLOT TIRE PRESS,S40/45.....15
DECAL,INSTR,MAX SIDE FRC,ANSI.....12
DECAL,INSTR,SIDE FRC/WIND,AUS.....11-12
D E C A L , I N S T R U C T , F O O T S W I T C H OPER.....11-12
DECAL,LABEL, AIR LINE 110 PSI.....11-12, 15
DECAL,LABEL,105 DB.....15
DECAL,LABEL,BELT ROUTING DSG.....12, 15
DECAL,LABEL,FALL HAZARD***.....15
DECAL,LABEL,LIGHTS***.....11-12, 15, 185
DECAL,LABEL,LIQUID PROPANE.....11-12, 15
DECAL,LABEL,LOWER MIDRAIL.....11-12, 15
DECAL,LABEL,MANUAL NOT HERE.....11-12
DECAL,LABEL,MAX CAPACITY***.....15
DECAL,LABEL,NO SMOKING,SYMB.....15
DECAL,LABEL,RELAYS,Z45IC,Z51.....12
DECAL,LABEL,TEST***.....11-12
DECAL,LABEL,TIP OVER LMT SWTCH.....15
DECAL,LABEL,TIPOVER,TILT AL SY.....15
DECAL,LABEL,TIPOVER,TIRES,SYMB.....15
DECAL,LABEL,TIRE PRESS Z45RT.....15
DECAL,LABEL,TRANSPORT.....12, 15
DECAL,LABEL,UNLEADED GAS ONLY.....11-12, 15
DECAL,LABEL,WHEEL LOAD Z4525.....12, 15
DECAL,LABEL,WHEEL LOAD Z4525J.....12, 15
DECAL,LANYARD ANCHORAGE POINT...11-12, 15, 189
DECAL,LOW/ULTRA LOW SULFR FUEL.....12
DECAL,NOTICE, TIRE SPECS.....11-12
DECAL,NOTICE,FOAM-FILLED TIRES.....11-12
DECAL,NOTICE,HAZARDOUS MAT'LS*.....11-12
DECAL,NOTICE,HI FLOAT TIRES.....11-12
DECAL,NOTICE,MAX CAP 440 LBS.....11-12
DECAL,NOTICE,MAX LOAD 500 LBS.....11-12
DECAL,NOTICE,OPER INST.IXC.....12
DECAL,NOTICE,SHUTOFF VALVES.....11-12
DECAL,OPER INST,Z45/Z51 IC AUS.....12
DECAL,OPTION CONTROL BOX HEATR.....121
DECAL,OPTION GENERATOR***.....11-12, 15, 167
DECAL,PLATFORM CONTROL PANEL.....11-12, 15
DECAL,POWER TO PLATFORM 115V.....11-12, 15
DECAL,SYMBOL-COMP ACCESS.....15
DECAL,TRACK,FALL ARREST BAR,SYMBOL.....189
DECAL,TRACK,FALL ARREST BAR,WORD.....189
DECAL,TRACK,FALL ARREST BAR,WORD FR.....189
DECAL,TRIANGLE,BLUE.....11-12, 15
DECAL,TRIANGLE,YELLOW.....11-12, 15
DECAL,WARN,CRUSH HAZARD HAND....11-12
DECAL,WARN,CRUSH HAZARD PLAT.....11-12, 15
DECAL,WARN,FALL HAZARD.....11-12
DECAL,WARN,IMPROPER OPERATION...11-12
DECAL,WARNING,CRUSHING HAZARD.....15
DECAL,WARNING,PANEL CRADLE.....193
D E C A L , W A R N I N G , P I P E CRADLE,BOOM.....187
DECAL,WARNING-COMPART ACCESS...11-12
DIAGNOSTIC FEMALE Q-DSCNT....125, 127-130, 133-134
DIPSTICK TUBE, STRAIGHT SHORT....75-76
DIPSTICK TUBE,PERKINS(403C-11).....75-76
DIPSTICK, FORD DSG 423.....81
DIPSTICK, INDICATOR, FORD,Z45.....81
DIPSTICK, OIL (PERKINS 404).....75-76
DIPSTICK, OIL, D2011.....69-70
DIPSTICK, STRAIGHT SHORT.....75-76
DIPSTICK,INDICATOR,DEUTZ,Z45.....70
DIPSTICK-F3L1011F (DEUTZ).....69-70
DISCONNECT ROD-45553 TQ.HUB.....17-18, 21-22
DUCT,AIR INTAKE PAINTED.....61, 67
- E**
- EAR, ENGINE TRAY PIVOT,PAINTED.....63
ELBOW,130239-4-4.....85
ELBOW,45 DEGR,RUBBER,2.5" I.D.....175
ELBOW,45D,520320-12-16.....149
ELBOW,45D,520320-16.....149
ELBOW,45D,520320-4.....141, 143, 151, 153
ELBOW,90D,520220-16.....149
ELBOW,90D,520220-4-4.....47, 141, 143, 145, 149, 153
ELBOW,90D,520220-4-6***.....141, 145, 147
ELBOW,90D,520220-6.....165
ELBOW,90D,520220-8-12.....141, 143, 145
ELBOW,90DEG.1/4MPT-1/4 BARB.....51
ELBOW,90DEG.1/8MPT-5/16 BARB.....83
ELBOW,SWIVEL 90D, 520221-4.....153
ELEMENT-5 MIC, PAPER, W/ BYPASS.....67
ENCLOSURE BOX,GAUGE OPT,DRILLD.....191
ENCLOSURE,FG ELEC.,STOCK,7X5X4....167
END STOP, DIN RAIL,SCREW CLAMP.....59
END STOP,TRACK,FALL ARREST BAR.....189
ENGINE,DEUTZ D2011L03L.....67
ENGINE,PERKINS,DIESEL 404D-22.....73
EVACUATOR VALVE-AIR CLEANER.....67, 75-76
EXHAUST PIPE,DEUTZ 3 CYL DSL.....67
E X T E N S I O N B O O M WELDMNT,NON-JIB.....95, 97
- F**
- FAN (FORD TIER 3).....81
FEMALE BULKHEAD CONNECTOR-8.....159
FILTER ASSY,HIGH PRESS SAE-12*.....61
FILTER ASSY,INTANK.....51
FILTER ASY,M PRESS,SAE8,WOIND* (77139).....67
FILTER ELEMENT,AIR,NOLFF LPG.....83

- FILTER LID,RFM165.....51
 FILTER, FUEL.....63
 FILTER,AIR***.....67, 75-76
 FILTER,ELEMENT,30 MIC,75020.....75-76
 FILTER,ELEMENT,BETA(10)=200.....51
 FILTER,ELEMENT,BETA(5)=1000.....61, 67
 FILTER,FUEL,PERKINS.....75-76
 FILTER,FUEL/WTR SEP, DTZ 1008.....69-70
 FILTER,OIL,DEUTZ F4L1011F.....69-70
 FILTER,OIL,DEUTZ,REPLACEMENT.....69-70
 FITTING, SAE 3, MSG425.....63
 FITTING, SAE 6, MSG425.....63
 FITTING,BULKHEAD,1/4NPT,FUELTK.....51
 FITTING,BULKHEAD,3/8NPT,FUELTK.....51
 FITTING,CONN,520120-12***.....141, 143, 145
 FITTING,ELBOW,90D,520220-12.....149
 FITTING,ELBOW,90D,520220-8***.....141, 143, 149, 165
 FITTING,TEE,BRANCH,520429-4***.....151, 153
 FITTING,TEE,BRANCH,520433-4.....141, 143, 147
 FITTING,TEE,RUN,SWIVEL520432-4.....141, 143, 145
 FLASHTUBE,STRAIGHT,360DEG,BULB....155
 FLASHTUBE,U SHAPED,360DEG,BULB...155
 FLATBAR,ALUM,THROTTLE LINKAGE.....75-76
 FLEX PLATE (54573)***.....75-76
 FLEX PLATE,COUPLER (64079).....83
 FLOORING, 6'FT PLATFORM.....115
 FLOORING, 6FT PLAT,SIDE.....115
 FLOORING,4 FT PLATFORM,PAINTED.....115
 FLOORING,5 FT PLATFORM,PAINTED.....115
 FLYWHEEL ASSEMBLY,DSG-423 FORD.....79
 FLYWHEEL FLANGE,GREEN PLASTIC.....69-70
 FOAM PAD, 3" OD X 1.25" ID X 14 IN.....193
 FORMING PANEL CRADLE.....193
 FORMING WIPER MOUNT.....173
 FORMING, HOSE CLAMP RETAINER.....97
 FORMING, HOSE CLAMP, PAINTED.....91
 FORMING, PRECLEANER TUBE.....175
 FORMING,AIR CLEANER MOUNT.....83
 FORMING,BAFFLE,RADIATOR.....85
 FORMING,BELLY PAN.....25, 51
 FORMING,CABLE GUIDE.....111
 FORMING,COVER PLATE.....61
 FORMING,COVER SUPPORT,PNTD.....61
 FORMING,ENGINE MOUNT RH PAINTE...75-76
 FORMING,ENGINE MOUNT,FL PAINT*.....67
 FORMING,ENGINE MOUNT,FR PAINT*.....69-70
 FORMING,ENGINE MOUNT,LH PAINTE.....73
 FORMING,ENGINE MOUNT,REAR.....69-70
 FORMING,FAN SHROUD.....85
 FORMING,FORD GCP MOUNT.....85
 FORMING,GAUGE OPTION BRKT PNTD.....191
 FORMING,GENERATOR GUIDE,PTD.....163
 FORMING,GENERATOR MOUNT,PTD.....163, 167
 F O R M I N G , G E N E R A T O R SUPPORT,PTD.....163
 FORMING,INNER HANGER.....189
 FORMING,LEFT ENGINE SUPPORT.....85
 FORMING,LP BRACKET MOUNT.....51
 FORMING,RADIATOR BRACE LEFT.....85
 FORMING,RADIATOR SUPPORT,PNTD.....85
 FORMING,REGULATOR MOUNT,PTD.....85
 FORMING,RIGHT ENGINE SUPPORT.....85
 FORMING,SECONDARY SUPPORT.....193
 FORMING,SOLENOID MOUNT.....75-76
 FORMING,SOLENOID MOUNT PAINTED.....75-76
 FORMING,STRUT SUPPORT,PNTD.....61
 FORMING,UPPER RAD SUPPORT PNTD.....75-76
 FUEL FILTER ASSEMBLY.....75-76
 FUEL FILTER W/SEP,DEUTZ,1008.....69-70
 FUEL INJECTOR FORD DSG423, BK.....79
 FUEL INJECTOR FORD DSG423,YL.....79
 FUEL JUMPER HARNESS.....63, 65
 FUEL LINE, DEUTZ F3L 2011F,1 METER LG.....69-70
 FUEL PICKUP,3/8X1/4NPT X 1775.....51
 FUEL PUMP,DSG-423 AND MSG-425.....63
 FUEL SENSOR ASSY.....63
 FUEL TANK ASSY, 17 GAL PLASTIC.....51
 FUSE BOX COVER.....81
 FUSE BOX MOUNTING,LEFT.....81
 FUSE BOX MOUNTING,RIGHT.....81
 FUSE BOX RELAY STICKER.....81
 FUSE,13 AMP,220V PLUG.....53
- G**
- GASKET, UK POWER TO PLAT.....118
 GASKET,ACTUATOR PLATE.....79
 GASKET,COVER,GFCI,WEATHERPROOF.118
 GASKET,EXH FLANGE-FORD/PERKINS...73, 83
 GASKET,EXHAUST.....67
 GASKET,GROUND CONTROL BOX***.....55-56
 GASKET,INTAKE FORD DSG-423.....79
 GASKET,MIXER, FORD DSG423.....79
 GASKET,PLATFORM CONTROL BOX.....117-118, 121
 GASKET,RETURN FILTER-77353.....51
 GASKET,THROTTLE ACTUATOR***.....79
 GASKET,WATER PUMP.....75-76
 GASKET-CYLINDER HEAD.....73
 GASKET-THERMOSTAT HSG.....73
 GAUGE, FUEL TANK, GAS.....51
 GAUGE,OIL PRESSURE W/O SENDER.....191
 GAUGE,VOLTAGE.....191
 GAUGE,WATER TEMP.....191
 GAUGE-SIGHT,LHA-LGTB***.....51
 GEN,HYD,3000W,110V,60HZ.....163
 GEN.OPT.FORD,110V/3000W Z45DSG.....163
 GEN.OPT.FORD,220V/2500W Z45DSG.....163
 GENERATOR,2500W HYD.220/50HZ.....163
 GENERATOR,3000W,220V,50HZ***.....167
 GENERATOR,3500W,120V,60HZ**.....167
 GROMMET,COIL,FORD DSG423.....79
 GROMMET,RUBBER .5 X .014 X .75.....185
 GROMMET,RUBBER 3 X .19 X 3.5.....111
 GROUND CONTROL BOX ASSY W/DEC*.....55-56
 GUARD,FAN,PERKINS PAINTED.....73
- H**
- HARN JOYSTICK ADAPTOR JS100.....123
 HARN, AC PROTECTION BYPASS.....181, 183
 HARNESS KIT,Z45/51 PLAT BOX.....65, 117-118
 HARNESS PERKINS ENGINE Z45 ALT.....65
 HARNESS, BD GEN.110V/60HZ Z45D.....65, 167
 HARNESS, BD GEN.110V/60HZ Z45P.....65, 167
 HARNESS, BD GEN.220V/50HZ Z45D.....167
 HARNESS, BD GEN.220V/50HZ Z45P.....167
 HARNESS, FORD STARTER.....65
 HARNESS, LOAD SENSE.....65
 HARNESS, POSITIVE AIR SHUTOFF.....65
 HARNESS,12/3,12V TO PLAT.....56, 65, 121
 HARNESS,18/19 BOOM CABLE #1.....56, 65, 121
 HARNESS,18/19,BOOM CABLE #2.....56, 65, 121
 HARNESS,ALARM OPTION,Z45.....65
 HARNESS,BASE DD/PD.....65
 HARNESS,BASE FORD.....65
 HARNESS,CONTROL BOX HEATER.....121
 HARNESS,DRIVE LIGHT OPTION.....65, 157, 185
 HARNESS,ENGINE FORD DSG-423.....79
 HARNESS,ENGINE,DEUTZ.....55-56, 65
 HARNESS,FORD DSG423,Z45.....56, 65
 HARNESS,GAUGE OPT.,Z45 DEUTZ.....65
 HARNESS,GAUGE OPT.,Z45 DEUTZ**.....65
 HARNESS,GEN GROUND.....65
 HARNESS,IC FUNCTION MANIFOLD.....47, 56, 65
 HARNESS,JIB SELECT MANIFOLD.....65, 121
 HARNESS,JUMPER,LOAD SENSE.....65
 HARNESS,LS,D.E. Z45.....47, 65
 HARNESS,LS,PRIM/EXT.....65
 HARNESS,LS,PRIM/EXT/SEC.....65
 HARNESS,PBOX JOYSTICKS.....65
 HARNESS,PBOX WIRING***.....65
 HARNESS,PERKINS ENGINE***.....55-56
 HARNESS,PLATFORM,Z45/25,IC,JIB.....65
 HARNESS,PLUG,NON-LOAD WEIGHING...65
 HARNESS,PROX KILL.....65
 HARNESS,PROX.KILL.....181, 183
 HARNESS,TILT ALARM,12V.....65
 HEAT SHIELD,ALTERNATOR,FORD.....83
 HEAT SHIELD,DEUTZ STARTER.....67
 HINGE, SPRING, LONG LEG.....115
 HINGE,.375X.120THK.,SLOTTED.....61, 63
 HINGE,PLAT CONTROL BOX COVER.....157
 HOLDER,BRUSH,7.19LG,BOTTOM.....171
 HOLDER,BRUSH,7.19LG,TOP.....171
 HOLDER,BRUSH,9.25LG,JIB.....171
 HOLDER,BRUSH,9.94LG,NON JIB.....171
 HORN,12VDC,SPADE TERMINALS***.....63
 HOSE ASM-JCAF310-06-41.....139
 HOSE ASSEMBLY,1/4".....165
 HOSE ASSY 1",STR FEM,STR FEM.....149
 HOSE ASSY 1/4, STR FEM,STR FEM.....151, 153
 HOSE ASSY 1/4,STR FEM,PIPETHRE.....47, 149
 HOSE ASSY 1/4,STR FEM,STR BULK.....147
 HOSE ASSY 1/4,STR FEM,STR MALE.....151, 153
 HOSE ASSY, 1/4", 22.00.....153
 HOSE ASSY,1/2 STR FEM,STR FEM.....143, 145
 HOSE ASSY,1/2".....143, 145, 147
 HOSE ASSY,1/2****.....141
 HOSE ASSY,1/2,45 FEM STR FEM.....145
 HOSE ASSY,1/2,45 FEM,STR FEM.....149

Part Description Index (continued)

- HOSE ASSY,1/2,45 FEM,STR FEM**.....149
 HOSE ASSY,1/2,90 FEM,STR FEM.....149, 165
 HOSE ASSY,1/2,90 FEM,STR FEM**.....165
 HOSE ASSY,1/2,STR FEM,STR FEM.....141, 143, 149
 HOSE ASSY,1/2,STR FEM,STR FEM.....165
 HOSE ASSY,1/4,90 FEM,STR FEM.....141, 143, 145, 147, 151, 153
 HOSE ASSY,1/4,90 FEM,STR FEM**.....141, 143, 147
 HOSE ASSY,1/4,STR FEM,STR FEM.....141, 143, 145, 149, 151, 153
 HOSE ASSY,1/4,STR FEM,STR FEM*.....143, 149
 HOSE ASSY,3/4,90 FEM,STR FEM.....149
 HOSE ASSY,3/8 STR FEM STR FEM*.....159
 HOSE ASSY,3/8,STR FEM,90D FEM.....149
 HOSE ASSY,BRKT./D.MANIFOLD.....145
 HOSE ASSY,D.MANIF/FR D.MOTORS.....145
 HOSE ASSY,D.MANIF/LR&RR BRAKE.....145
 HOSE ASSY,LP GAS.....51, 85
 HOSE ASSY,T FITTING/DRIVEMOTOR.....145
 HOSE COVER,LOWER LEVEL,BOT,PAI.....91
 HOSE COVER,LOWER LEVEL,TOP,PAI.....91
 HOSE COVER,UPPER ARM,PAINTED.....91
 HOSE END,BARB,1/4 MNPTX5/16,90.....51
 HOSE END,BARB,1/4 MNPTX5/16,ST.....51
 HOSE END,BARB,3/16 MNPT,90D.....51
 HOSE GUIDE, JIB.....107, 109, 159
 HOSE, COOLANT BYPASS, DSG423.....79
 HOSE,2.5" FLEX.....177, 179
 HOSE,3/4,LP.....85
 HOSE,3/8",FUEL,30R7.....91
 HOSE,5/16 FUEL,SAE 30R7.....63
 HOSE,90DEG 2.5" AIR INTAKE.....179
 HOSE,AIR 3/8.....81
 HOSE,AIR CLEANER.....69-70
 HOSE,AIR CLEANER TO INTAKE.....75-76
 HOSE,AIR INLET.....75-76
 HOSE,AIR INTAKE.....83, 177
 HOSE,AIR INTAKE 2.5 ID 8.00LG.....73
 HOSE,AIR INTAKE,PERKINS***.....73
 HOSE,AIR,MIXER.....83
 HOSE,COOLANT,REG INTAKE.....85
 HOSE,FUEL,5/16 HIGH PRESSURE 132 IN.....63
 HOSE,FUEL,5/16 HIGH PRESSURE 2 IN.....63
 HOSE,FUEL,5/16 HIGH PRESSURE 28 IN.....63
 HOSE,FUEL,5/16 HIGH PRESSURE 50 IN.....63
 HOSE,FUEL,5/16 HIGH PRESSURE 55 IN.....63
 HOSE,LOWER RADIATOR.....85
 HOSE,LOWER,RADIATOR,PERKINS.....75-76
 HOSE,OVERFLOW,RADIATOR.....85
 HOSE,RADIATOR,5/16 ID X 86".....175
 HOSE,RETURN,ENGINE.....83
 HOSE,UPPER RADIATOR.....83
 HOSE,UPPER RADIATOR,PERKINS.....73
 HOUR METER,10-80 VOLTS***.....55-56
 HOUSING,PUMP MOUNT (54573).....75-76
 HOUSING,THERMOSTAT,PERKINS 104.....73
 HUB ASSEMBLY MODEL#60-8***.....25
 HUB ASSEMBLY,9 BOLT***.....25
 HYDRAULIC MOTOR 3000W GENER.....163
- I**
- IDLER BRACKET.....85
 INJECTOR, FUEL(DEUTZ F3L2011F).....69-70
 INNER CONE - MODEL 60-8.....25
- INPUT CARRIER, SUB-ASSEMBLY.....31-32, 35-36
 INSTRN, TRC RETROFIT, STNDRD.....65
 INSTRUCTIONS-PIPE CRADLE,BOOMS...187
 ISOLATOR, VIBRATION.....85
 ISOLATOR,ENGINE VIBRATION***.....67, 69-70, 73, 85
 ISOLATOR,VIBRATION,M8 M/M.....85
 ISOLATOR,VIBRATION,M8 MALE/FEM.....73
- J**
- JIB BOOM ASSY W/WORD DECAL...107, 109
 JOYSTICK,1 AXIS ROCKER,DEUTSCH.....123
 JOYSTICK,1 AXIS,DEUTSCH.....123
 JOYSTICK,2 AXIS,DEUTSCH.....123
 JOYSTICK,DUAL AXIS W/KNOB.....123
 JOYSTICK,SINGLE AXIS W/KNOB.....123
 JOYSTICK,SINGLE AXIS W/STEER.....123
 JUMPER COMB, 2-WAY,WIELAND.....59
- K**
- KEEPER,LATCH (45363).....61, 63
 KEYSWITCH,3 POS W/KEYS,LOCKING.....55-56
 KEYSWITCH,3 POS. W/KEYS***.....55-56
 KIT, AUX TOP RAIL SUPPORT.....157
 KIT, BOOM BEARING.....89
 KIT, DSG423 COOLANT OUTLET.....79
 KIT, HARDWARE (54573).....75-76
 KIT, HEAT GUARD, DEUTZ STARTER.....67
 KIT, ISOLATION, 3 JOYSTICK.....123
 KIT, LEVEL SENSOR, 6 PIN CONN.....65, 87
 KIT, TERMINAL BLOCK.....59
 KIT, TRC RETROFIT, STNDRD.....65
 KIT, WIPER, Z-45/25.....173
 KIT, WIPER, Z-45/25J.....173
 KIT,CHARGE PUMP.....139
 KIT,CHARGE PUMP HOUSING.....139
 KIT,COVER,TORQUE HUB,45553***.....17-18, 21-22
 KIT,ELEMENT**.....51
 KIT,FBA STYLE COUPLER,FORD.....83
 KIT,FBA STYLE COUPLER,PERKINS.....75-76
 KIT,FBA STYLE COUPLER,SAE8.....69-70
 KIT,FITTING,REGULATOR DSG-423.....85
 KIT,OP SWITCH,DEUTZ.....69-70
 KIT,OSCILLATE LINKAGE.....43
 KIT,PANEL CRADLE,CE.....193
 KIT,PRIMER BULB.....69-70
 KIT,PUMP SHAFT SEAL W/INST***.....139
 KIT,SOLENOID CONTROL SERVICE.....139
 KIT,STRAINER REPLACEMENT.....51, 149
 KIT,TORQUE HUB COVER(101584)**.....31-32, 35-36
 KNOB,JOYSTICK, 62390/62391.....123
 KNOB,ROCKER JOYSTICK 75565.....123
- L**
- L.P.TANK LATCH.....51
 LAMP,INDICATOR,RED,14V,1.2W**.....55-56
 LANYARD,LYNCH PIN ASSY.....87
 LANYARD,PLATFORM CONTROL BOX.....121
 LATCH, SWING GATE.....115
 LATCH,DRAW,ADJUSTABLE.....87
 LATCH,FLEXIBLE DRAW W/O KEEPER.....61, 63
 LATCH,SLIDE, FLUSH MOUNT STYLE.....157
 LENS,AMBER,STROBE,FIREBOLT.....155
- LEVEL SENSOR,LS60,YL,2.5X4.5.....87
 LEVER, GOVERNOR ACTUATOR.....69-70
 LIFT/DRIVE CUTOFF, Z45/Z51C.....65
 LIGHT, 12 VOLT.....157, 185
 LIGHT,LED IND. RED 12V NH.....55-56, 117-118
 LINING KIT, BRAKE, 4HP***.....31-32, 35-36
 LINING KIT,BRAKE,OMNI***.....31-32, 35-36
 LINK,NYLATRAC KS6-5.4***.....99, 101
 LOAD PAD,ENGINE TRAY SUPPORT.....47
 LOAD SUPPORT WITH BEARINGS.....161
 LOCK,PLUG 12 WAY,14-18GA,GRN.....56
 LOCK,PLUG 4 WAY,12-14GA.....56, 167
 LOCK,RECEP 12 WAY, 14-18GA.....56, 121
 LOCK,RECEP 4 WAY,12-14GA.....56, 121
 LOCK,RECEP 4 WAY,14-18GA.....121
 LOCKNUT,ELEC,1/2".....53, 117-118, 121
 LOCKOFF,LP,FORD DSG/MSG.....85
 LOWER IDLER FORD DSG-423.....81
 LOWER LEVEL ARM ASSY***.....91
 LOWER SECONDARY ARM ASSY***.....91
 LS ROT.HEAD W/O LEVER (ZCE01).....47, 91
 LUG BOLT,5/8-18,WHEEL HUB***.....25
 LUG,WHEEL STUD,5/8-18,W1/4HB**.....17-18, 21-22
- M**
- MALE PIPE THD,1/4" SER,3/8"X18.....159
 MANIFOLD ASSY, Z45/Z51 4WD.....127-130
 MANIFOLD KIT, SW DRIVE.....47
 MANIFOLD,2WD TRACT W/O FIT***.....125
 MANIFOLD,ASSY,GENERATOR.....163
 MANIFOLD,EXHAUST TURBO.....83
 MANIFOLD,FUNCTION,IC.....133-134
 MANIFOLD,GENERATOR,W/OUT FIT.....163
 MANIFOLD,INTAKE FORD DSG-423.....79
 MANIFOLD,JIB SELECT W/QD PLUG.....137
 MANIFOLD,ROTATOR,CB***.....137
 MANIFOLD,TURNTABLE ROTATION***.....47
 MAP SENSOR, DSG-423.....79
 MARKING TAGS,# 1-10,WIELAND.....59
 MARKING TAGS,# 11-20,WIELAND.....59
 MARKING TAGS,# 21-30,WIELAND.....59
 MARKING TAGS,# 31-40,WIELAND.....59
 MARKING TAGS,# 41-50,WIELAND**.....59
 MICROSWITCH,13482 FOOTSWITCH.....115
 MIDPIVOT ASSY Z45C***.....91
 MIXER,LPG,DSG-423.....79
 MODULE,IGNITION/START,12/24V.....59
 MODULE,LOAD SENSE 2007.....59, 121, 161
 MOTOR -HYD.2500W GENER REFURB....163
 MOTOR,12VDC,77066.....51
 MOTOR,HYD,25CC FIXED***.....17-18, 21-22
 MOTOR,PISTON,LC30,1 DEG,13T.....31-32, 35-36
 MOUNT,SWITCH.....161
 MOUNTING BAND,MUFFLER,8.0".....83
 MPT,CPLR,1/4"SER,3/8"X18.....159
 MUFFLER,CAT/SPARK,DEUTZ.....67
 MUFFLER,DEUTZ.....67
 MUFFLER,PERKINS 404-22DSL.....73
 MUFFLER,SCRUBBER,PERK 404-22DS.....73
 MUFFLER,SPARK ARRESTOR,DEUTZ.....67
- N**
- NECK/HEAD-LIMIT SWITCH (88356).....91
 NIPPLE,DIAGNOSTIC,#4.....133-134, 149

- NIPPLE,DIAGNOSTIC,ORFS,FM,SWIV.....125,
127-130, 141, 143, 145, 149
- NUT - PLASTIC,RING FOR ALARMS.....56,
117-118, 155
- NUT HEX M5-0.8 CLASS 8 ZINC.....118
- NUT, LP NYLOCK, 3/8-16.....89, 91, 99, 103
- NUT, SOLENOID VALVE.....128-130
- NUT, TL JAM, 3/8-16, A, ZAG.....193
- NUT,BULKHEAD,520118-4.....147
- NUT,BULKHEAD,520118-8.....145
- NUT,FLG-LRG,3/8-16,YZ.....85
- NUT,HEX,1/4-28.....41, 43
- NUT,HEX,M8,PLASTIC.....181, 183
- NUT,LOCKING-LG.FLANGE,1/4-20.....87, 99
- NUT,LOCKING-LG.FLANGE,5/16-18.....67, 75-
76, 81, 83, 85, 175, 177
- NUT,LP NYLOCK,1/4-20.....31-32, 35-36, 53,
63, 157, 167, 173, 183
- NUT,LUG,5/8-18 X 90 DEGREE,Z45.....25
- NUT,LUG,5/8-18X90 DEG,ZAG.....31-32
- NUT,NYLOCK FLG,1/4-20,F,ZAG.....187, 193
- NUT,NYLOCK FLG,3/8-16,F,ZAG.....101, 187,
189, 193
- NUT,NYLOCK,1/2-13.....47, 51, 67, 69-70, 73,
75-76, 83, 85
- NUT,NYLOCK,1/4-20.....39, 51, 53, 59, 61, 63,
67, 69-70, 75-76, 81, 87, 91, 95, 97, 99, 101,
103, 107, 109, 111, 157, 159, 161, 163, 181,
183
- NUT,NYLOCK,10-24.....43, 69-70, 161
- NUT,NYLOCK,10-32.....47, 59, 61, 63, 69-70,
91, 95, 97, 118, 121, 155, 167, 185
- NUT,NYLOCK,3/4-10,GRD.8.....103, 111
- NUT,NYLOCK,3/8-16.....27, 29, 39, 47, 51, 53,
61, 63, 67, 69-70, 73, 75-76, 83, 85, 89, 93,
95, 99, 105, 107, 109, 117-118, 159, 161, 163,
167, 175, 177, 179, 181, 183, 185
- NUT,NYLOCK,5/16-18.....61, 111, 185
- NUT,NYLOCK,6-32.....121
- NUT,NYLOCK,7/16-14.....167
- NUT,NYLOCK,8-32.....171
- NUT,NYLOCK,M10X1.50.....76
- NUT,NYLOCK,M6X1.00.....75-76
- NUT,NYLOCK,M8X1.25.....85
- NUT,RETAINER (96008).....55-56
- NUT,SOLENOID VALVE COIL.....125, 128-130
- NUT,SPINDLE,1-14.....25
- NUT,STEM,EATON***.....139
- NUT,TL FLG,1/2-13,G,ZAG.....189
- NUT,TL FLG,1/4-20,G,ZAG.....115
- NUT,TL FLG,3/8-16,G,ZAG.....115
- NUT-COIL SHORT.....137
- NUTSERT,1/4-20,STEEL CAD PLTD.....59
- O**
- O-RING KIT (ORFS FITTINGS).....125, 127-
130
- O-RING, ROTATOR MANIFOLD.....137
- O-RING, TORQUE HUB.....17-18, 21-22
- O-RING,2-010,VITON.....31-32, 35-36
- O-RING,2-042 N674-70***.....139
- O-RING,2-044 BUNA***.....18, 21-22
- O-RING,2-157,VITON***.....31-32, 35-36
- O-RING,END COVER,4HP/4HB***.....31-32,
35-36
- O-RING,END COVER,OMNI***.....17-18, 21-
22, 31-32, 35-36
- O-RING,FILTER ASSY (60334)***.....61
- O-RING,FUEL INJECTOR,DEUTZ
(89792).....69-70
- O-RING,MIXER,RIBBED,DSG-423.....79
- O-RING,MIXER,SMOOTHED,DSG-423.....79
- O-RING,PIPE PLUG KIT,OMNI***.....31-32, 35-
36
- O-RING,SPACER #115***.....163
- O-RING,STEM,EATON.....139
- OIL DRAIN PLUG,FORD DSG423.....81
- OIL FILTER - PERKINS.....75-76
- OIL FILTER,DSG-423.....79
- OIL TEMP SENSOR, DEUTZ F4L2011.....69-
70
- OPTION,EURO TOEBOARD.....157
- ORIFICE DISC,.046",GREEN.....133-134
- ORIFICE, 0.025".....129-130
- ORIFICE, 0.025"(74129)*.....128-130
- ORIFICE, 0.030".....128-130
- ORIFICE, 0.052".....129-130
- ORING,568-908 N552-90 NBR,10PK.....17-18,
21-22
- OUTER CONE - MODEL 60-8.....25
- OUTLET, 110V.....118
- P**
- PAD,REST,1"THICK,FLANGED.....193
- PAD,REST,1"THICK,W/STUDS*.....91
- PADDING,FOAM 3.5"OD X 1.50"ID.....181, 183
- PADDING,FOAM,3.0"X1.50ID 90DEG.....181,
183
- PANEL,ACCESS PAINTED.....161
- PIN,0.75DIAX5.75LG,CHAMFER.....161
- PIN,0.75DIAX8.75LG,CHAMFER.....161
- PIN,1.00DIAX15.56LG,CHAMFER.....61
- PIN,1.25 DIA X 3.19 LG, PLATE.....93
- PIN,1.25DIAX14.45LG,2HOLE.....105, 109
- PIN,1.25DIAX3.37LG,1HOLE.....93
- PIN,1.25DIAX3.75LG,1HOLE.....27
- PIN,1.25DIAX5.25LG,1HOLE.....103, 105, 109
- PIN,1.25DIAX6.36LG,2RING.....95, 97, 105, 109
- PIN,1.25DIAX7.00LG,1HOLE.....103, 105, 109
- PIN,1.25DIAX7.88LG,1HOLE.....105, 109
- PIN,1.25DIAX8.12LG,1HOLE.....27
- PIN,1.25DIAX8.88LG,1HOLE.....103, 105, 109
- PIN,1.25DIAX9.38LG,THREADED.....95, 97
- PIN,1.50DIAX13.88LG,2HOLE.....89
- PIN,1.50DIAX20.00LG,CHAMFER.....27, 29, 39
- PIN,1.50DIAX4.25LG,GR/H.....18, 21-22, 25,
29
- PIN,1.50DIAX7.50LG,1HOLE***.....89
- PIN,1.75DIAX11.88LG,CHAMFER.....93
- PIN,1.75DIAX9.25LG,1HOLE.....93
- PIN,2.00DIAX10.88LG,CHAMFER.....89
- PIN,2.00DIAX12.88LG,CHAMFER***.....89
- PIN,2.00DIAX24.00LG,CHAMFER***.....89, 93
- PIN,CLEVIS,1 X 2.5 LG.....27, 29
- PIN,COTTER,.219 X 1.75.....25
- PINCH GUARD,6"(1.31")SERVICE**.....157
- PIPE CRADLE ASSY. SERV (ONE)**.....187
- PIPE PLUG KIT,OMNI***.....17-18, 21-22, 31-
32, 35-36
- PIPE,COOLANT RETURN,FORD 2.3L.....83
- PLAT ASSY,6' W/SIDE GATE,Z45/51 ANSI
SYM.....113
- PLAT ASSY,6' W/SIDE GATE,Z45/51 CE....113
- PLAT ASSY,6' W/SIDE GATE,Z45IC/Z51 ANSI
WORD.....113
- PLAT ASSY,6' W/SIDE GATE,Z45IC/Z51
AUS.....113
- PLAT. CONTROL BOX W/DECAL***.....117-
118
- PLATE, COVER, BULKHEAD, Z45/51.....73
- PLATE,AIR BAFFLE,FORD,PAINTED.....61
- PLATE,AIR INTAKE ADAPTER,PAINT.....61,
67
- PLATE,BLANKING,FORD DSG423.....81
- PLATE,CLAMP,TOP.....39
- PLATE,COVER SPACER,PAINTED.....63
- PLATE,FAN GUARD.....85
- PLATE,FRONT COVER,PAINTED.....177, 179
- PLATE,FRONT LIFTING EYE.....85
- PLATE,FUEL PUMP,PNTD.....63
- PLATE,JIB,ROTATE MANIFOLD.....111
- PLATE,PLAT HEAT,ALC500 GEN II.....121
- PLATE,REAR ENGINE SUPPORT.....83
- PLATE,REAR LIFTING EYE.....83
- PLATE,SWING LOCK,PAINTED***.....47
- PLATE,TANK SIDE,PAINTED.....51
- PLATE,UK,POWER TO PLAT.....118
- PLATE,WASHER,FLAT,RETAINING,PT.....45
- PLATE,WIPER BACKING.....173
- PLATFORM CONTROL BOX,PAINTED.....121
- PLUG AND CAP KIT-SERVICE,ORFS*.....125,
127-130
- PLUG, TYPE F, 230A, 50HZ, 16A, IP44.....53
- PLUG,090109A-6.....151, 153
- PLUG,1/4 X .400",BLK.....61
- PLUG,DUST,STARTER,FORD DSG423.....79
- PLUG,FUSED,250V,13AMP,U.K.***.....53
- PLUG,HEX,090109A-4.....141, 143
- PLUG,NYLON .313 BLACK DOMED.....121
- PLUG,NYLON .50 BLACK DOMED.....55-56,
117-118
- PLUG,NYLON .875 BLACK DOMED.....56
- PLUG,NYLON 1.12 BLACK DOMED.....121
- PLUG,ORIFICE, 0.052 (40033).....129-130
- PLUG,ORIFICE,0.030 (50684).....128-130
- PLUG,PWR,UK,16AMP,3PIN,BLK.....53
- PLUG,SANTOPRENE .5 BLACK DOME.....55-
56, 117-118
- PLUG,SEAL,12-18 GA.....56, 167
- PLUG-ORIFICE 0.031 INCH.....125
- PLUG-ORIFICE,0.067 INCH.....125
- POWER TO PLAT,CORD ASSY.....163
- PRECLEANER,AIR INTAKE***.....175, 177, 179
- PRIMARY BOOM ASSY.....101
- PRIMARY BOOM ASSY,JIB,Z45/25J.....95
- PRIMARY BOOM ASSY,STD,Z45/25.....95
- PRIORITY FLOW CONTROL VALVE***.....163
- PROTECTOR,SLEW BOLT.....47
- PROXIMITY SENSOR***.....181, 183
- PULLEY AND TENSIONER,DSG423.....81
- PULLEY, WATER PUMP.....75-76
- PULLEY,DEUTZ.....167
- PULLY, GNRTR,220V,50HZ(89908).....167
- PULLY,GNRTR,120V,60HZ(60707).....167
- PUMP ASSY (77066).....51
- PUMP MOUNT,FORD DSG423.....83
- PUMP WATER (PERKINS 404)***.....75-76
- PUMP,FUEL 2011 DEUTZ ***.....69-70
- PUMP,LIFT(FUEL) PERKINS(54555).....73
- PUMP,PIGGBACK,11CC,11 TOOTH***.....139
- PUMP,PISTON,49CC***.....139
- PUMP,PRIMER,PERKINS***.....73
- R**
- RADIATOR,FORD DSG423 & MSG425.....85
- RADIATOR,FORD/PERKINS***.....75-76

Part Description Index (continued)

RAILING,PINCH GAURD,4 FT.....157	SCREW,BLEEDER,M5X0.8.....111	SCREW,HHC,M14 X 40MM,GR 8.8.....67, 69–70
RAILING,PINCH GAURD,5 FT.....157	SCREW,FHM,6-32 X .75.....118	SCREW,HHC,M6 X 16.....175
RECEPTACLE, 120VAC, 20A, GFCl.....118	SCREW,FHS,3/8-16 X 1.75.....47, 63	SCREW,HHC,M6 X 20MM,GR8.8.....69–70
RECEPTACLE,UK,110V.....118	SCREW,GROMET-COIL,FORD DSG423.....79	SCREW,HHC,M8 X 20MM.....73, 175
RECTIFIER ASSEMBLY.....163	SCREW,HHC,1-8 X 3 GRD.5.....63	SCREW,HHC,M8 X 40.....85
REDUCER,RUBBER 2.5 - 2.....175	SCREW,HHC,1/2-13 X 1.25 GR5.....39, 51, 63, 83, 93	SCREW,HHC,M8 X 60MM X 1.25.....81
REF: Level Sensor.....69–70	SCREW,HHC,1/2-13 X 1.5.....51, 69–70, 89, 91, 93	SCREW,HHC,M8X1.25X 25MM,GR8.8.....85
Ref: Swing Drive Assy.....47	SCREW,HHC,1/2-13 X 1.75.....18, 22, 47, 139	SCREW,HHF,1/2-13X3.5,8,ZAG.....189
Refer to Detail A.....75–76	SCREW,HHC,1/2-13 X 2 GR5.....83	SCREW,HHF,1/4-20X.625,8,ZAG.....115, 193
REGULATOR,LPG,DSG-423.....85	SCREW,HHC,1/2-13 X 3.....69–70, 85	SCREW,HHF,1/4-20X1.8,ZAG.....115
RELAY,12VDC,70AMP,SEALED.....69–70, 167	SCREW,HHC,1/2-13 X 3.5.....67, 73, 75–76	SCREW,HHF,1/4-20X2.5,8,ZAG.....187
RELAY,24VDC,40/30A,SLD W/BRKT*.....185	SCREW,HHC,1/2-13 X.75.....91	SCREW,HHF,3/8-16X1.8,ZAG.....115
RELAY,PWR/FUEL,FORD DSG423.....79	SCREW,HHC,1/4-20 X .5.....157	SCREW,HHF,3/8-16X1.25,8,ZAG.....25
RELAY,SPDT,12V(AUTO) PLUG IN**.....59	SCREW,HHC,1/4-20 X .625.....59, 91, 117–118, 157	SCREW,HHF,3/8-16X2.5,8,ZAG.....189
RELAY,SPDT,12V(AUTO)**.....65, 121	SCREW,HHC,1/4-20 X .75.....51, 53, 55–56, 61, 63, 67, 81, 107, 111, 161, 181, 183	SCREW,PHIL,8-32X.50,SELF TAP.....117–118
RELAY,STARTER,FORD DSG/MSG.....79	SCREW,HHC,1/4-20 X 1.....25, 27, 31–32, 35–36, 39, 51, 53, 59, 61, 63, 75–76, 91, 101, 103, 105, 109, 161, 181, 183	SCREW,PHIL,PHM,10-24 X 5,SEMS.....73, 75–76, 85
RELAY,TIME DELAY,2 SEC,10A.....59	SCREW,HHC,1/4-20 X 1.25.....61, 69–70, 75–76, 87, 105, 107, 109, 159	SCREW,PHIL,PHM,10-24X1.5 ZINC.....161
RELAY,TIME DELAY,2 SEC,30A.....121	SCREW,HHC,1/4-20 X 1.5.....63, 85, 87, 103, 157	SCREW,PHIL,PHM,10-32 X .5,SSTL.....81, 121, 185
REPAIR END BRKT SET,NP400-7***.....101	SCREW,HHC,1/4-20 X 1.75.....41, 43, 91, 95, 97, 167	SCREW,PHIL,PHM,6-32 X 1/4 SS.....121
REPAIR LINK END SET (42763)*.....99, 101	SCREW,HHC,1/4-20 X 2.....61, 63, 157, 161	SCREW,PHILLIPS,PHM,10-32 X .5.....59
REPAIR LINK,7 LINKS NP400-7***.....101	SCREW,HHC,1/4-20 X 2.5.....63, 163	SCREW,PHILLIPS,PHM,10-32 X .75.....63, 69–70
REPAIR LINK,7 LINKS***.....99, 101	SCREW,HHC,1/4-20 X 2.75.....103, 111	SCREW,PHILLIPS,PHM,10-32 X 1.....61, 167
REPAIR LINK,NP400-7***.....101	SCREW,HHC,1/4-20 X 3.....59, 101	SCREW,PHILLIPS,PHM,10-32 X 2.0.....95, 97
RESISTOR,10 OHM,25 WATT.....121	SCREW,HHC,3/4-10 X 9.5 GR 8 YE.....103, 111	SCREW,PHILLIPS,PHM,10-32 X.625.....167
RESISTOR,20 OHMS,25W,ADJ***.....59	SCREW,HHC,3/8-16 X .75.....47, 51, 61, 93, 107, 109, 171	SCREW,PHILLIPS,PHM,10-32 X1.25.....155
RESISTOR,7.5 OHM,25 WATT,1PCNT.....59	SCREW,HHC,3/8-16 X .75,GR 8.....95, 97, 111	SCREW,PHILLIPS,PHM,10-32X 1.75.....91
RETAINER,GAS SPRING***.....61	SCREW,HHC,3/8-16 X 1.....18, 22, 27, 29, 53, 61, 63, 91, 93, 163, 185	SCREW,PHILLIPS,PHM,6-32 X .5.....55–56, 118, 121
RETAINER,SPRING,1.21 X .375.....161	SCREW,HHC,3/8-16 X 1.25 GRD 5.....53, 61, 73, 75–76, 83, 95, 97, 103, 105, 109, 118, 163, 175, 177, 179	SCREW,PHILLIPS,RHM,10-32 X 1.5.....47
RETAINING PIN, ASSY.....47	SCREW,HHC,3/8-16 X 1.75,GRD.8.....61, 95, 97, 167	SCREW,PHM,10-24X.50,SELF TAP.....175
RETAINING RING.....163	SCREW,HHC,3/8-16 X 2.....27, 105, 107, 109, 173	SCREW,PHM,M5X.8X10MM SELF TAP.....118
RETAINING RING, INTERNAL, #180 (COMPONENT OF 139330GT).....31–32, 35–36	SCREW,HHC,3/8-16 X 2.25.....27, 29, 39	SCREW,PHPM,10-24X1,ZAG.....115
RIVET,ALUM,ALUM,3/16BUTTONHEAD....157	SCREW,HHC,3/8-16 X 2.75.....39, 41, 43, 53, 83, 89	SCREW,RHM,8-32 X .75.....171
RIVET,STL,STL,P,125 X .25.....59	SCREW,HHC,3/8-16 X 3.....89, 99	SCREW,SHC,1/2-13 X 3.00.....47
ROCKER ASSY,MAGNETIC 75565.....123	SCREW,HHC,3/8-16 X 3.25.....161	SCREW,SHC,1/2-13 X 4.50 ZINC.....47
ROCKER,RETAINER, 75565.....123	SCREW,HHC,5/16-18 X .75.....185	SCREW,SHC,3/8-16 X 1.....139
ROD END,250 X 2.25 LG.....161	SCREW,HHC,5/16-18 X 1 GR5.....81, 83, 157, 177	SCREW,SHC,5/8-11 X 1.5.....31–32, 35–36
ROD END,375 X 2.75,ZAG.....27, 61, 93	SCREW,HHC,5/16-18 X 1.25.....67, 81, 83, 111	SCREW,SHC,5/8-11 X 1.75.....17–18, 21–22
ROD END,375X3.69,ZAG.....18, 21–22, 27, 29, 39, 93, 95, 97, 103, 105, 109	SCREW,HHC,5/16-18 X 1.5.....31–32, 35–36	SCREW,SHC,5/8-11 X 2.75,A574.....47
ROD END,.5 X 3.75,ZAG.....89, 93	SCREW,HHC,M10 X 1.5 X 35.....76	SCREW,SHC,5/8-11 X 4,A574.....47
ROD END,BALL JOINT 1/4-28.....43	SCREW,HHC,M10 X 1.5 X70,GR 8.8.....76	SCREW,SHC,5/8-11 X 4.5,A574.....47
ROD,DISCONNECT 4HP/4HB***.....31–32, 35–36	SCREW,HHC,M10 X 30MM.....83	SCREW,SHC,M10X1.5 X 60 GR8.8.....83
ROD,DISCONNECT,OMNI***.....17–18, 21–22, 31–32, 35–36	SCREW,HHC,M10 X 40MM,GRD8.....83	SCREW,SHC,M10X1.5X30 GR 12.9.....69–70
ROLLER ARM,LIMIT SWITCH***.....47, 91, 95, 97	SCREW,HHC,M10 X 55MM,GRD 8.8.....85, 167	SCREW,SHC,M8 X 1.25 X 25.....83
ROTATOR,PLAT,JIB (94401).....111	SCREW,HHC,M10 X 80 GR 8.8.....69–70	SCREW,SHM,PHR,#12 X .75.....121
ROTATOR,PLAT,Z45.....103	SCREW,HHC,M12 X 45.....76	SCREW,SHS,10-24 X .625.....43, 69–70
ROTATOR,PLAT,Z45J/Z51J.....105, 109, 111	SCREW,HHC,M14 X 1.5X40MM,GR8.8.....73, 75–76	SCREW,SHS,M6X12MM,8MM.....75–76
RUE RING,1.00.....27, 29		SEAL AND BRG KIT,4.5K ROTATOR.....103, 105, 109, 111
		SEAL AND BRG KIT,4.5K ROTATOR*.....103, 105, 109, 111
		SEAL DT SERIES-12W.....56
		SEAL KIT (39345).....105, 109, 133–134, 137
		SEAL KIT (54994).....105, 109
		SEAL KIT CYL Z45 (54570).....95, 97
		SEAL KIT CYL.Z45(54569).....95, 97
		SEAL KIT, 88337.....27, 29
		SEAL KIT, BRAKE, 4HP.....31–32, 35–36
		SEAL KIT, GEARBOX, 4HP.....31–32, 35–36
		SEAL KIT, OMNI.....17–18, 21–22
		SEAL KIT, SOLENOID VALVE.....127–130
		SEAL KIT, SWING DRIVE.....47
		SEAL KIT, VALVE.....125, 127–130, 133–134, 137

S

S60 ASSEMBLY, GBOX.....65

SCREW PH M5-0.8X20 DIN 7500CE.....118

SCREW T-SWITCH PH/PH 6-32X1/4.....55–56, 117–118

SCREW, HCC, 3/8-16 X 1.50.....51, 53, 67, 69–70, 85, 93, 95, 97, 103, 105, 109, 163

SCREW, HHC, 1-8 X 4, GRID .2.....45

SCREW, HHC, 7/16-14 X 2, GR 5.....167

SCREW, HHC, M10 X 1.5 X 50.....76

SCREW, PHM, #6-32 X .625 ZINC.....123

SCREW,BHHS,1/4-20 X .5,Y/ZINC.....101

SCREW,BHHS,1/4-20 X .75.....99, 101

SCREW,BHSC,1/4-20 X .88,Y/ZINC.....99

SCREW,BHSC,1/4-20 X 1.....157, 183

SEAL KIT, VALVE, #10.....125, 128-130	SHIM,WEAR PAD,5X 1.5 16GA.....95	SWITCH TOGGLE ASSY SPDT 3P MOM...55-56, 117-118
SEAL KIT, VALVE, #4.....128-130	SHOCK MOUNT,SMALL.....75-76, 85	SWITCH TOGGLE DPDT 2P MNT SHDR...55-56
SEAL KIT,11 TOOTH PUMP***.....139	SHROUD,FAN PAINTED.....76	SWITCH TOGGLE DPDT 2P MOM SHDR.....55-56, 117-118
SEAL KIT,147259.....105, 109	SHUTDOWN SOLENOID,12V, DEUTZ.....69-70	SWITCH TOGGLE DPDT 3P MOM SHDR.....55-56, 117-118
SEAL KIT,147260***.....93	SLEEVE,CONNECTOR,DT JOYSTICKS.....123	SWITCH TOGGLE SPDT 2P MNT SHDR.....117-118
SEAL KIT,52907,SIZE 4, 2 WAY.....133-134	SLEEVE,NYLON,1.42 ID.....56, 149, 151, 153	SWITCH TOGGLE SPDT 3P MOM SHDR.....55-56, 117-118
SEAL KIT,BRAKE,OMNI***.....31-32, 35-36	SLEEVE,NYLON,2",I.D.,BULK(100)..149, 151, 153	SWITCH, OIL PRESSURE.....75-76
SEAL KIT,CONTROL VALVE.....41, 43	SLEEVE,NYLON,3,13 ID.....151, 153	SWITCH, OIL PRESSURE 1.5 BAR.....69-70
SEAL KIT,CYL,Z45 (54567).....27	SLIDING MIDRAIL KIT,PTD.....115	SWITCH,LIMIT,W/RLLR ARM,NO/NC.....47
SEAL KIT,CYL,Z45 (77187&77188).....93	SNAP RING,EXTERNAL,1.25,ZAG.....95, 97, 105, 109	SWITCH,LIMIT,W/RLLR ARM,NO/NC*.....91
SEAL KIT,ELEVATE (88203).....89	SNAP RING,EXTERNAL,1.50,ZAG.....17-18, 21-22, 25, 29	SWITCH,LOAD LIMIT.....121, 161
SEAL KIT,GEARBOX,OMNI***.....31-32, 35-36	SNAP RING,PUMP SHAFT SEAL***.....139	SWITCH,OIL PRESSURE.....79
SEAL KIT,MANIFOLD TO MOTOR.....47	SOLENOID CABLE ASSY***.....69-70	SWITCH,THERMOSTAT 85F OPEN.....121
SEAL KIT,MASTER & SLAVE CYL.....93, 103, 105, 109	SOLENOID KIT,SHUT DN,PERKINS.....75-76	SWITCH,WATER TEMP,PRKNS,404***.....73, 75-76
SEAL KIT,MOTOR,LC/KC***.....31-32, 35-36	SOLENOID,77066.....51	
SEAL KIT,PUMP SHAFT (EATON)***.....139	SOLENOID,THROTTLER ACTUATOR DSL.....69-70, 75-76	
SEAL KIT,SOLENOID VALVE.....125, 128-130	SOLENOID-STARTR DEUTZF4L1011F*.....67	
SEAL KIT,SOLENOID VALVE, SV07.....137	SPACER.....163	
SEAL KIT,SUNSTRAND.....17-18, 21-22	SPACER TUBE,.50 LG.....167, 173	
SEAL KIT,SWING DRIVE***.....47	SPACER, HANGER BRACKET.....189	
SEAL KIT,SWING MOTOR***.....47	SPACER,EATON PUMP SHAFT SEAL**.....139	
SEAL KIT,TORQUE HUB (20193)...17-18, 21-22	SPACER,ENGINE MOUNT.....67, 69-70, 73, 75-76, 85	
SEAL KIT,WHEEL DRIVE W/BRAKE (101584/101585).....31-32, 35-36	SPACER,FAN,PERKINS 404F.....75-76	
SEAL KIT-FOR PN.44216 & 826779...133-134	SPACER,HOSE CLAMP,RUBBER.....101	
SEAL RING,SOLENOID CONTROL.....139	SPACER,NYLON,2.00 X 1.33 X.310.....95, 97	
SEAL, CONNECTOR (DT JOYSTICKS).....123	SPACER,NYLON,2.01 X 1.28 X.135.....95, 97	
SEAL, GASKET, .0005" *SILVER*.....163	SPACER,PULLEY,DEUTZ GEN.....167	
SEAL, GASKET, .00075" *GOLD*.....163	SPARK PLUG, FORD DSG-423.....79	
SEAL, GASKET, .0010".....163	SPRING CLIP,1/4-20,.025-.15X.54,ZAG.....25, 27, 39, 51, 85, 105, 107, 109, 115, 161	
SEAL, OIL FILLER CAP.....76	SPRING CLIP,10-24,.025-.125X.468,ZAG.....115	
SEAL,FILTER ASSY (60334)***.....61	SPRING CLIP,3/8-16,.05-.20X.73,ZAG.....53, 163	
SEAL,FILTER LID.....51	SPRING, SS, 1/2-EO500-49-4500.....181, 183	
SEAL,RETAINING RING.....163	SPRING, SS, 3/4-EO750-69-4500.....181, 183	
SEAL,RUBBER,BAFFLE,PERKIN/FORD.....61	SPRING,COMP,1" OD,232 LB/IN.....161	
SEAL,SHAFT.....163	SPRING,JOYSTK CENTR,62390/91.....123	
SEAL,SHAFT,EATON PUMP***.....139	SPRING,SWITCH CENTERING,75565.....123	
SEAL-GREASE,9-BOLT HUB 54840.....25	STANDOFF,1/4X1/4 M-F 6-32 S/S.....121	
SEAL-GREASE,MODEL 60-8.....25	STANDOFF,6-32 X 3/8L X 1/4 HEX.....121	
SEAL-INJECTOR.....73	STARTER, 12V.....67	
SEAL-ROCKER BOX.....73	STARTER, DSG-423RING.....79	
SEAL-VALVE SYSTEM (A).....73	STARTER, PERKINS, 404D.....73	
SEAL-VALVE SYSTEM (B).....73	STARTER,DSG-423.....79	
SEAL/BEARING KIT (45043,54840).....25	STEP PLATFORM ENTRY PAINTED***.....115	
SENDING UNIT,OIL PRESSURE***.....191	STRAP, CONDUIT HOLDER 60"***.....187	
SENDING UNIT,TMP,FRD,GM,PRK704.....191	STROBE,FIREBOLT,12-80VDC,AMB***.....155	
SENSOR KIT, TEMPERATURE.....79	STRUT,GAS,200 LB***.....61	
SENSOR, FORD TEMPERATURE.....79	SUPPORT, RAILING.....157, 183	
SENSOR,AIR,CAT MONITOR.....83	SUPPORT,SENSOR,JOYSTICK.....123	
SENSOR,CAM POSITION DSG-423.....79	SVC KIT,UK RECEPT.REPLACEMENT.....118	
SENSOR,CRANK POSITION DSG-423.....81	SWING DRIVE ASSEMBLY.....47	
SENSOR,KNOCK DSG-423 FORD.....79	SWITCH SHIELD,ROCK JOYSTK75565.....123	
SENSOR,LEVEL,4.5 DEG.....87	SWITCH TOGGLE ASSY DPDT 2P MNT...55-56	
SENSOR,OXYGEN LRG425EFI.....83	SWITCH TOGGLE ASSY DPDT 3P MOM..55-56, 117-118	
SEPRTR/FLTR,FUEL DSL,15GPH,.30.....75-76	SWITCH TOGGLE ASSY DPDT 2P MOM..55-56, 117-118	
SERVICE KIT, 5FT JIB.....105	SWITCH TOGGLE ASSY SPDT 2P MNT.....117-118, 121, 167, 185	
SERVICE KIT, 5FT JIB, ARCTIC.....107	SWITCH TOGGLE ASSY SPDT 2P MOM.....181, 183	
SERVICE KIT, FORD DIPSTICK,Z45.....81		
SERVICE KIT,5FT JIB.....107		
SERVICE KIT,DEUTZ DIPSTICK,Z45.....70		
SET SCREW***.....31-32, 35-36		
SHAFT,MOTOR.....163		
SHEET,RUBBER,AIR INTAKE.....69-70		
SHIM,AXLE ROTATION STOP,12GA.....39		
SHIM,AXLE ROTATION STOP,22GA.....39		
SHIM,WEAR PAD,5 X 1.5,14GA.....95, 97		

T

T-BOX,2.75 X 4.5 X 2.0.....118
TAILPIPE,Z45,FORD DSG423.....83
TANK ASSY,GAS,17GAL PLASTIC.....51
TANK, 7 GAL/33.5 POUND, LP.....51
TANK,HYDRAULIC ASSEMBLY***.....51
TEE,BRANCH,520429-8.....141, 143, 145
TEE,BRANCH,520433-8.....145
TEE,RUN,1/4" PIPE.....191
TEE,RUN,520428-4.....141, 143, 145
TEE,RUN,520428-8.....145, 165
TEE,RUN,SWIVEL,520432-6.....165
TERM RELAY,N-INSULATE 14-16 GA.....59
TERM,AMP MTE,SOC,22-26 GA BULK.....123
TERM,DEUTSCH, PIN #12-14.....121
TERM,NI PIN, 14-16GA,BULK.....121
TERM,NI PIN,S&F,16-18GA,REEL.....121
TERM,NI SOC,S&F,16-18GA,REEL.....56
TERM,RELAY N-INSULATED 10-12 G.....59
TERM,SOCKET,DEUTSCH,12-14GA.....167
TERMINAL BLOCK END PLATE.....59
TERMINAL BLOCK, WIELAND***.....59
TERMINAL BLOCK,WIELAND.....59
TERMINAL,MOLEX 16 GAUGE***.....121
TERMINAL,STRIP,4-POLE,600V***.....167
THERMOSTAT.....73
THERMOSTAT (PERKINS 104-22).....73
THERMOSTAT,FORD DSG423.....79
THREADED ROD,(1/4-20),8.5".....87
THREADED ROD,1/4-28 X 5 IN.....43
THREADED ROD,1/4-28 X 6 IN***.....41
THROTTLE ACTUATOR*(BOSCH).....79
THROTTLE LINKAGE,DIESEL***.....69-70
THRUST CAP (20193).....17-18, 21-22
TIE ROD WELDMENT.....27
TIE ROD WELDMENT, NARROW.....29
TIRE,355/55D625.....17-18, 21-22, 25, 31-32, 35-36
TIRE,355/55D625,14 PLY,NM.....17-18, 21-22, 25, 31-32, 35-36
TIRE/WH ASSY,9 LG,FOAM,S FRONT.....25
TIRE/WH ASSY,9 LG,NM,FOAM,S FR.....25
TIRE/WHEEL ASSY,RT NM W/SEALAN.....17-18, 21-22, 25, 32, 36

Part Description Index (continued)

TIRE/WHEEL ASSY,RT W/SEALANT...17-18, 21-22, 25, 32, 36	VALVE,CHECK,5 PSI.....125, 129-130	WASHER,FLAT,313, HARDENED.....139
TOEBOARD,ENTRY EUROPEAN	VALVE,CHECK,5 PSI**.....133-134	WASHER,FLAT,M10,ZINC PLTD.....76, 83, 85, 167
PNTD**.....115, 157	VALVE,CHECK,DUAL PILOT,135 PSI.....134	WASHER,FLAT,M14.....67, 69-70, 73, 75-76
TOOL TRAY ACCESSORY***.....157	VALVE,CHK,#8PORT-#8MALEORFS.....149	WASHER,FLAT,M6 PLTD.....69-70, 81, 85
TOOL TRAY BRACKET (GRAY) **.....157	VALVE,COUNTERBALANCE,1000 ATM.....27	WASHER,FLAT,M8,YELLOW ZINC.....73, 75- 76, 83, 85
TOOL,TERMINAL CRIMPER,MOLEX**.....121	VALVE,COUNTERBALANCE,3500***.....103, 105, 109	WASHER,FLAT,MS,#10,Y.....43, 47, 61, 63, 69-70, 73, 75-76, 85, 161
TOOL,TERMINAL EXTRACTOR,MOLEX...121	VALVE,COUNTERBALANCE,3800 PSI.....93	WASHER,FLAT,MS,#8,Y.....155, 171, 175
TORQUE HUB,35:1***.....17-18, 21-22	VALVE,COUNTERBALANCE,3800 PSI*.....93, 105, 109	WASHER,FLAT,USS,1",Y.....63
TRIM MOLDING.....175	VALVE,COUNTERBALANCE,1500 PSI**.....95, 97	WASHER,FLAT,USS,1/2",Y.....47, 51, 63, 67, 69-70, 73, 75-76, 83, 85, 91
TRIMLOCK,BLACK,3/16 X 4 INCHES.....91	VALVE,DIFF SENSING,160 PSI.....133-134	WASHER,FLAT,USS,1/4"Y.....25, 27, 31-32, 35-36, 39, 41, 43, 51, 53, 55-56, 59, 61, 63, 67, 69-70, 75-76, 81, 85, 87, 91, 95, 97, 99, 101, 103, 105, 107, 109, 111, 117-118, 157, 159, 161, 163, 167, 181, 183
TRIMLOCK,BLACK,5/32".....187	VALVE,FLOW CONTROL,.4 GPM.....134	WASHER,FLAT,USS,3/8",Y.....31-32, 35-36, 61, 67, 69-70, 73, 85, 91, 95, 97, 161, 167, 171, 173
TROLLEY, TRACK, FALL ARREST BAR.....189	VALVE,FLOW DIVIDER/COMBINER.....125, 127-130	WASHER,FLAT,USS,5/16",Y.....27, 29, 39, 41, 43, 47, 51, 53, 61, 63, 75-76, 81, 83, 89, 99, 103, 105, 109, 111, 117-118, 157, 163, 167, 175, 177, 179, 181, 183, 185
TUBE, CABLETRACK ARM, Z40/45.....101	VALVE,FLOW REGULATOR 0.1 GPM.....133- 134	WASHER,LOCK,.25.....25, 41, 43, 51, 53, 103, 105, 109, 111, 117-118, 157
TUBE, CABLETRACK ARM, Z51.....101	VALVE,FLOW REGULATOR, 2.0 GPM*....133- 134	WASHER,LOCK,.313.....157
TUBE, PRE-CLEANER, FORD.....177	VALVE,NEEDLE,FINE ADJUSTMENT**.....134	WASHER,LOCK,.375.....18, 22, 27, 29, 39, 41, 43, 47, 51, 53, 61, 91, 93, 107, 167, 173
TUBE, RD, ALUM, 1.25 X .083 X 11.75.....193	VALVE,PCV FORD DSG-423.....81	WASHER,LOCK,437,PLTD.....32, 36, 167
TUBE, RD, ALUM, 2.5 X .083 X 2.00.....175, 179	VALVE,PRES CMP/FLW CTRL,1.0GPM...127- 130	WASHER,LOCK,.625 PLTD.....63
TUBE,AIR CLEANER INLET.....67	VALVE,PRES CMP/FLW CTRL,2.6GPM...127- 130	WASHER,LOCK,0.5".....18, 22, 39, 63, 69-70, 83, 89, 91, 93
TUBE,CABLE TRACK ARM NON-JIB.....99	VALVE,PRI. FLOW REG 4.3.....163	WASHER,LOCK,1".....63
TUBE,CABLE TRACK ARM,JIB.....99	VALVE,PRIO FLOW REG,1.5 GPM.....133-134	WASHER,LOCK,IND,LAMP RETAINER.....117- 118
TUBE,CHASSIS SPACER PAINTED.....45	VALVE,PROP,3 POS,4-WAY***.....133-134	WASHER,LOCK,M10.....69-70, 83, 85, 167
TUBE,FUEL PICKUP,3/8NPTX1/4PT.....51	VALVE,PROPORTIONAL 3 POS 4 WY*....133- 134	WASHER,LOCK,M14.....73, 75-76
TUBE,PROP ROD,18.63",W/CAP.....63	VALVE,RELIEF 250 PSI***.....125, 128-130	WASHER,LOCK,M6.....69-70
TUBE,RD,STL,DOM,.75X.38X.78.....173	VALVE,RELIEF,1500 PSI***.....163	WASHER,LOCK,M8.....81, 85, 175
TUBE,RD,STL,DOM,.75X.438X1.25.....173	VALVE,RELIEF,2100 PSI***.....133-134	WASHER,SHIM .0151 THK.....161
TUBELESS PNEUMATIC TIRE,9-14LT.....25	VALVE,SHUTTLE.....133-134	WASHER,SHIM,1.27 X 2.13 X .062.....95, 97, 105, 109
TUBELESS TIRE,9-14.5,NON-M 47#.....25	VALVE,SOLENOID (18660).....163	WASHER,SHIM,1.56X2.5X.061,ZAG.....25
TURNTABLE CVR, PRECLEANER OPT.....177	VALVE,SOLENOID 3 POS.4 WAY***.....133- 134	WASHER,SPINDLE.....25
	VALVE,SOLENOID, 2 POS, 3 WAY....125, 128- 130	WASHER,THRUST,1.5 X 3.5 X .187.....17-18, 21-22, 25, 29
	VALVE,SOLENOID, 2POS/3WAY***.....137	WASHER,THRUST,TORQUE HUB.....17-18, 21-22
	VALVE,SOLENOID,2POS 3 WAY***.....133-134	WASHER,VIBRATION ISOLATING.....67, 69- 70, 73, 75-76, 85
	VALVE,SOLENOID,3POS 4WAY.....133-134	WASHER,WAVE SPRG,1X.635X.015.....83
	VALVE-CHECK, #4 SAE, 5 PSI*.....133-134	WATER OUTLET, FORD DSG423.....79
	VALVE-DIRECT. CONTRL-2POS. 2WA.....127- 130	WATER OUTLET, VERTICAL.....73
	VALVE-FLOW REGULATOR 1.0GPM.....127- 130	WATER PUMP.....75-76
	VALVE-FLOW REGULATOR 2 GPM.....127- 130	WATER PUMP W/GASKET.....81
	VALVE-RELIEF,3200 PSI.....133-134	WEAR PAD ROUND.....167
	VALVE-SOLENOID,2POS 3WAY,JIB**.....137	WEAR PAD,3 X 1.5 X.625 W/NUTS....107, 109
	VLV,MAN,3 POS/4 WAY,CLOSE CTR*.....41, 43	WEAR PAD,5 X 1.5 X .625 W/NUTS.....61, 95, 97
	VOLTAGE REGULATOR,110V.....167	WEAR PAD,5 X 1.5 X .75 W/NUTS.....95, 97
	VOLTAGE REGULATOR,220V.....167	WEAR PAD,6 X 1.5 X.50,W/INSERT.....91
		WEAR PAD,EXTENSION BOOM.....95, 97
		WEAR PAD,EXTENSION CYLINDER.....95, 97
		WEAR PAD,MID PIVOT***.....91
		WEAR PAD,PRIMARY BOOM,JIB.....95, 97
		WEAR PAD,PRIMARY BOOM,NON JIB.....53
		WEAR PAD,SECONDARY CYL,NON/JIB.....89

U

U-BOLT, FLATTENED, 1.5 X 3/8
UNC,ZAG.....115, 187, 193
U-BOLT, KIT 5/16-18 X 2.5 ***.....67
U-BOLT, SQR, 3/8-16X2X5, PLTD.....181, 183
U-BOLT,3/8-16X4X4.63X3.00.....181, 183
U-BOLT,5/16 -18 X 2IN**.....75-76, 175
UBOLT,FLATTENED,1.5DIAX3/8 UNC.....159
UPPER IDLER PULLEY, MSG425.....85
UPPER LEVEL ARM ASSY,SERV***.....91
UPPER PIVOT W/BEARING-Z45/25**.....93
UPPER SECONDARY ARM ASSY-Z45**.....91

V

V-BELT DOUBLE PULLEY.....167
VACUATOR VALVE.....83
VALVE.....125, 127-130
VALVE - COUNTERBALANCE**.....137
VALVE BLOCK, SWING DRIVE.....47
VALVE RELIEF,2500PSI(88513)**.....134
VALVE, CHECK.....128-130
VALVE, CHECK, 5PSI.....129-130
VALVE, CNTRBAL 3500 PSI, ATM VEN.....89
VALVE, COMPENSATOR, 80 PSI.....133-134
VALVE, DIRECTION CONTROL, 2X2.....127-
130
VALVE, FLOW DIVIDE/COMBINE 1:1.....127-
130
VALVE, FLOW DIVIDE/COMBINE 2:1.....129-
130
VALVE, RELIEF, 250PSI.....128-130
VALVE, SHUTTLE, 3X3.....127-130
VALVE, SOLENOID, 2X3, 12V.....128-130
VALVE,BALL,16 MSAE-16 FSAE***.....149
VALVE,CB.CBBC-LHN@1000***...95, 97, 133-
134
VALVE,CHECK***.....128-130

W

WASHER, 1/2 PLATE (1/2 X 2.25 X 3/16)....67,
69-70, 73, 75-76, 85
WASHER,FENDER,.25 X 1.25 X.062.....61, 63
WASHER,FLAT,.375 X 1.5 X .125.....85, 161
WASHER,FLAT,.5 HARDENED.....83, 139
WASHER,FLAT,.625 HARDENED.....17-18,
21-22, 31-32, 35-36, 47, 63
WASHER,FLAT,.75 HARDENED.....103, 111,
159
WASHER,FLAT,1.56 X 2.5 X .061.....17-18,
21-22, 29

WEAR PAD,TANK SIDE BUMPER.....63
WELD, LPG TANK MOUNT.....51
WELDMNT, AIRCRAFT TOP BUMPER.....183
WELDMNT, CABLETRACK TRAY.....101
WELDMNT, HOSE ANGLE BRACKET....177,
179
WELDMNT, PIPE CRADLE.....187
WELDMNT, PRECLEANER CONN.....175
WELDMNT, PRECLEANER MT.....175
WELDMNT, SENSOR MOUNT.....181, 183
WELDMNT, SKIDPLATE**.....181, 183
WELDMNT,4 FT PLATFORM.....113
WELDMNT,5 FT PLATFORM.....113
WELDMNT,AIRCRAFT SENSOR
BUMPR.....181, 183
WELDMNT,BULKHEAD,ENG SIDE IC.....61
WELDMNT,CABLE TRACK TRAY,NJIB.....99
WELDMNT,CAT MOUNT.....83
WELDMNT,EXT. BOOM,Z45 JIB.....97
WELDMNT,GENERATOR FAN GUARD....167
WELDMNT,HEADER PIPE.....83
WELDMNT,MID PIVOT,MACHINED***.....91
WELDMNT,MUFFLER,DSG423.....83
WELDMNT,PIPE CRADLE MOUNT.....187
WELDMNT,PLAT SUPPORT,LS.....161
WELDMNT,PLATFORM SUPPORT.....111,
161
WELDMNT,ROTATOR MOUNT.....161
WELDMNT,6 FT PLATFORM.....113
WELDMNT,EXTENSION BOOM,JIB,Z45.....95
WELDMNT,PLATFRM SUPPORT,NJIB**.....103
WHEEL & TIRE ASSY,2WD,LF,AIR.....25
WHEEL & TIRE ASSY,2WD,LF,FF.....25
WHEEL & TIRE ASSY,2WD,RF,FF.....25
WHEEL & TIRE ASSY,2WD,RF,AOR.....25
WHEEL & TIRE ASSY,LR/RF,AIR.....17-18,
21-22, 31-32, 35-36
WHEEL & TIRE ASSY,LR/RF,AIR,NM.....17-
18, 21-22, 31-32, 35-36
WHEEL & TIRE ASSY,LR/RF,FF.....17-18, 21-
22, 32, 36
WHEEL & TIRE ASSY,LR/RF,FF,NM.....17-18,
21-22, 32, 36
WHEEL & TIRE ASSY,RR/RF,AIR.....17-18,
21-22, 31-32, 35-36
WHEEL & TIRE ASSY,RR/RF,AIR,NM.....17-
18, 21-22, 31-32, 35-36
WHEEL & TIRE ASSY,RR/RF,FF.....17-18, 21-
22, 32, 35-36
WHEEL & TIRE ASSY,RR/RF,FF,NM.....17-18,
21-22, 32, 36
WHEEL 24.5X11.75-8 HOLE,AIR.....25
WHEEL 24.5X11.75-9 HOLE.....17-18, 21-22,
25, 31-32, 35-36
WHEEL DRIVE W/ BRAKE,57:1***.....31-32,
35-36
WHEEL DRIVE W/BRAKE 57:1.....31-32, 35-
36
WHEEL DRIVE, NON BRAKE, 35.9:1...17-18,
21-22
WHEEL STUD, 4HP, 5/8-18***.....31-32, 35-36
WHEEL STUD,5/8-18,OMNI***.....17-18, 21-
22, 31-32, 35-36
WHEEL,14.5 X 7.....25
WIPER,PRIMARY BOOM.....173
WIRE CABLE,12/3 CON.TPE JKT.....65
WIRE CABLE,14/3 CON.TPE JKT*.....53
WIRE CABLE,14GA/3 CON.TPE JKT.....163
WIRE CABLE,16/4 CON.TPE JKT.....91, 115
WIRE HARNESS, SENSOR, TEMP.....79
WIRE LOOM,1.25"NYLON,HIGH TEMP.....95,
97, 103, 105, 109
WIRING KIT,CONTROL BOX HEATER.....121
WIRING KIT,JIB TIME DELAY IC.....65
WLDMNT,CABLE TRACK TRAY,JIB.....99
WORKLIGHT,110V,250WATT,HALOGEN....157

Y

YOKE ASSY,LH,4WD,Z45/25,IC.....17-18, 21-
22
YOKE ASSY,RH,4WD,Z45/25,IC.....17-18, 21-
22
YOKE ASSY.LH'2WD'Z45IC.....29
YOKE ASSY.RH'2WD'Z45IC.....29
YOKE MACHINING L.H.(2WD).....25
YOKE MACHINING R.H.(2WD).....25

Z

ZERK,GREASE,5/16-24,STRAIT.....149, 161

Fitting Cross References

Genie PN	Parker PN	Description	Genie PN	Parker PN	Description
12342	6-4 F5OX-S	CONNECTOR,STRAIGHT THREAD TO FLARE TUBE	42794	1 CR-S	ELBOW,90°,MALE PIPE
13757	4 R6X-S	RUN TEE,SWIVEL NUT,ORFS	42795	BV-0839	BALL VALVE
19685	12-10 C5OX-S	ELBOW,90°,STRAIGHT THREAD TO FLARE TUBE	42796	BV-0838	BALL VALVE
22664	12-10 C5OX	ELBOW,90°,STRAIGHT THREAD TO FLARE TUBE	42874	6-8 CLO-S	ELBOW,90°,MALE PIPE TO ORFS
27431	8-12 F5OX-S	CONNECTOR,STRAIGHT THREAD TO FLARE TUBE	42912	13943-6-4	HOSE END,90° FEMALE SWIVEL,JIC
28678	AS-B-33	SLEEVE,NYLON,1.81" ID	42920	BV-0840	BALL VALVE,90°
39871	6 WETX-WLN-S	UNION,90° BULKHEAD W/NUT,FLARE TUBE	42932	AS-B-17	SLEEVE,NYLON,1.22" ID
39872	4 R5OX-S	RUN TEE,STRAIGHT THREAD	42936	10243-2-4	HOSE END,FEMALE PIPE
39873	6 C5OX-S	ELBOW,90°,STRAIGHT THREAD TO FLARE TUBE	42953	1/2 DD-S	ELBOW,90°,FEMALE PIPE
39874	8-6 C5OX-S	ELBOW,90°,STRAIGHT THREAD TO FLARE TUBE	42956	6 WELO-WLNL-S	UNION,90° BULKHEAD W/NUT,ORFS
39875	4-6 C5OX-S	ELBOW,90°,STRAIGHT THREAD TO FLARE TUBE	45349	8 V5OX-S	ELBOW,45°,STRAIGHT THREAD TO FLARE TUBE
39876	6-8 C5OX-S	ELBOW,90°,STRAIGHT THREAD TO FLARE TUBE	45351	4 V5OX-S	ELBOW,45°,STRAIGHT THREAD TO FLARE TUBE
39877	4 F5OX-S	CONNECTOR,STRAIGHT THREAD TO FLARE TUBE	47223	10343-6-6	HOSE END,MALE,JIC
39878	6 F5OX-S	CONNECTOR,STRAIGHT THREAD TO FLARE TUBE	47419	PS690503-6-6	SWIVEL,90°,STRAIGHT THREAD TO 37° FLARE
39879	4-8 F5OX-S	CONNECTOR,STRAIGHT THREAD TO FLARE TUBE	48750	421-4	HOSE,1/4 INCH ID
39880	6-10 F5OX-S	CONNECTOR,STRAIGHT THREAD TO FLARE TUBE	48751	481TC-4	HOSE,1/4 INCH ID
39881	4-6 F5OX-S	CONNECTOR,STRAIGHT THREAD TO FLARE TUBE	48752	482TC-4	HOSE,1/4 INCH ID
39882	4-HP5ON-S	PLUG,STRAIGHT THREAD	48753	451TC-6	HOSE,3/8 INCH ID
39883	8-8 FTX-S	CONNECTOR,MALE PIPE TO FLARE TUBE	48754	482TC-6	HOSE,3/8 INCH ID
39885	269HB 12-12	ELBOW,90°,BEADED HOSE BARB TO MALE PIPE	48755	381-6	HOSE,3/8 INCH ID
39886	431-6	HOSE,3/8 INCH ID	48756	451TC-8	HOSE,1/2 INCH ID
39887	540N-2	HOSE,1/8 INCH ID	48757	482TC-8	HOSE,1/2 INCH ID
39888	801-8	HOSE,1/2 INCH ID	48758	381-8	HOSE,1/2 INCH ID
39889	801-12	HOSE,3/4 INCH ID	48759	381-10	HOSE,5/8 INCH ID
39890	10643-6-6	HOSE END,FEMALE SWIVEL,JIC	48760	451TC-10	HOSE,5/8 INCH ID
39891	13943-6-6	HOSE END,90° FEMALE SWIVEL,JIC	48761	482TC-12	HOSE,3/4 INCH ID
39892	13743-6-6	HOSE END,45° FEMALE SWIVEL,JIC	48762	451TC-12	HOSE,3/4 INCH ID
39894	30682-8-8	HOSE END,FEMALE SWIVEL,JIC	48763	772-12	HOSE,3/4 INCH ID
39895	30682-10-12	HOSE END,FEMALE SWIVEL,JIC	48764	881-16	HOSE,1 INCH ID
42286	8-8 CTX-S	ELBOW,90°,MALE PIPE TO FLARE TUBE	48765	772-16	HOSE,1 INCH ID
42756	8-12 CLO-S	ELBOW,90,MALE PIPE TO ORFS	48766	AS-B-15	SLEEVE,NYLON,1.06" ID
42757	8-12 FLO-S	CONNECTOR,MALE PIPE TO ORFS	48767	AS-B-22	SLEEVE,NYLON,1.42" ID
42758	4 JLO-S	UNION TEE,ORFS	48770	881-8	HOSE,1/2 INCH ID
42759	4-4 FLO-S	CONNECTOR,MALE PIPE TO ORFS			
42760	6-8 FLO-S	CONNECTOR,MALE PIPE TO ORFS			
42761	1J143-6-4	HOSE END,90° FEMALE SWIVEL,SEAL LOK			
42762	1J743-6-4	HOSE END,45° FEMALE SWIVEL,SEAL LOK			
42768	1JO43-4-4	HOSE END,MALE,SEAL LOK			
42776	601-8	HOSE,1/2 INCH ID			
42777	1J743-16-16	HOSE END,45° FEMALE SWIVEL,SEAL LOK			
42786	16 CLO-S	ELBOW,90°,MALE PIPE TO ORFS			
42787	16 R6LO-S	RUN TEE,SWIVEL NUT,ORFS			
42788	16-8 TRLO-BL-S	REDUCER,TUBE END TO SWIVEL,ORFS			
42789	6-6 CLO-S	ELBOW,90°,MALE PIPE TO ORFS			
42790	8-10 V5OLO-S	ELBOW,45°,STRAIGHT THREAD TO ORFS			
42791	3/4 CD-S	ELBOW,90°,MALE TO FEMALE PIPE			
42792	3/4 X 1/2 PTR-S	REDUCER,MALE TO FEMALE PIPE			
42793	1/2 CR-S	ELBOW,90°,MALE PIPE			

Fitting Cross References (Continued)

Genie PN	Parker PN	Description	Genie PN	Parker PN	Description
48771	881-10	HOSE,5/8 INCH ID	48847	13943-12-12	HOSE END,90° FEMALE SWIVEL,JIC
48772	381-4	HOSE,1/4 INCH ID	48848	10543-12-12	HOSE END,MALE,STRAIGHT THREAD
48773	AS-B-13	SLEEVE,NYLON,.86" ID	48849	1JC71-12-12	HOSE END,FEMALE SWIVEL,SEAL LOK
48800	1JC43-4-4	HOSE END,FEMALE SWIVEL,SEAL LOK	48850	1JS71-12-12	HOSE END,FEMALE SWIVEL,SEAL LOK
48801	1J743-4-4	HOSE END,45° FEMALE SWIVEL,SEAL LOK	48851	1J171-12-12	HOSE END,90° FEMALE SWIVEL,SEAL LOK
48802	1J943-4-4	HOSE END,90° FEMALE SWIVEL,SEAL LOK	48852	1J771-12-12	HOSE END,45° FEMALE SWIVEL,SEAL LOK
48804	1JM43-4-4	HOSE END,MALE,SEAL LOK, NO O-RING	48853	1J971-12-12	HOSE END,90° FEMALE SWIVEL,SEAL LOK
48805	10643-4-4	HOSE END,FEMALE SWIVEL,JIC	48854	1JC43-16-16	HOSE END,FEMALE SWIVEL,SEAL LOK
48806	13943-4-4	HOSE END,90° FEMALE SWIVEL,JIC	48855	1J943-16-16	HOSE END,90° FEMALE SWIVEL,SEAL LOK
48807	1JS43-4-4	HOSE END,FEMALE SWIVEL,SEAL LOK	48856	1J171-16-16	HOSE END,90° FEMALE SWIVEL,SEAL LOK
48808	3JC82-8-8	HOSE END,FEMALE SWIVEL,SEAL LOK	48857	1J971-16-16	HOSE END,90° FEMALE SWIVEL,SEAL LOK
48809	3JC82-12-12	HOSE END,FEMALE SWIVEL,SEAL LOK	48859	1JS43-8-4	HOSE END,FEMALE SWIVEL,SEAL LOK
48810	1JC43-6-4	HOSE END,FEMALE SWIVEL,SEAL LOK	48867	PD36BTL	DIAGNOSTIC NIPPLE,SEAL-LOK SWIVEL
48811	1J943-6-4	HOSE END,90° FEMALE SWIVEL,SEAL LOK	48873	6 PNLO-S	PLUG,TUBE END,ORFS
48812	1JC43-6-6	HOSE END,FEMALE SWIVEL,SEAL LOK	48874	6 PNTX-S	PLUG,FLARE TUBE
48813	1J143-6-6	HOSE END,90° FEMALE SWIVEL,SEAL LOK	48875	6 R6LO-S	RUN TEE,SWIVEL NUT,ORFS
48814	1J543-6-6	HOSE END,90° FEMALE SWIVEL,SEAL LOK	48877	4 F5OLO-SW/.025	CONNECTOR,STRAIGHT THREAD TO ORFS, W/.025 ORI
48815	1J743-6-6	HOSE END,45° FEMALE SWIVEL,SEAL LOK	48878	16-12 C5OLO-S	ELBOW,90°,STRAIGHT THREAD TO ORFS
48816	1J943-6-6	HOSE END,90° FEMALE SWIVEL,SEAL LOK	48879	8 C6LO-S	ELBOW,90°,SWIVEL NUT ORFS
48817	1JS43-6-8	HOSE END,FEMALE SWIVEL,SEAL LOK	48880	PD6-285	CAP,DIAGNOSTIC NIPPLE
48818	1J943-8-4	HOSE END,90° FEMALE SWIVEL,SEAL LOK	48881	6 HLO-S	UNION,ORFS
48819	1JC43-8-6	HOSE END,FEMALE SWIVEL,SEAL LOK	48883	8 P5ON-S	PLUG,STRAIGHT THREAD
48820	1J743-8-6	HOSE END,45° FEMALE SWIVEL,SEAL LOK	48884	8M18F87OMLO-S	CONNECTOR,METRIC,STRAIGHT THREAD TO ORFS
48821	1J943-8-6	HOSE END,90° FEMALE SWIVEL,SEAL LOK	48885	4 WGTX-WLN-S	CONNECTOR,BULKHEAD,FEMALE PIPE TO FLARE TUBE
48822	1JC43-8-8	HOSE END,FEMALE SWIVEL,SEAL LOK	48886	4 F5OLO-SW/2MM	CONNECTOR,MACHINED STRAIGHT THREAD TO ORFS
48823	1JS43-8-8	HOSE END,FEMALE SWIVEL,SEAL LOK	48887	4 CTX-S	ELBOW,90°,MALE PIPE TO FLARE TUBE
48824	1J143-8-8	HOSE END,90° FEMALE SWIVEL,SEAL LOK	48888	10-12 V5OLO-S	ELBOW,45°,STRAIGHT THREAD TO ORFS
48825	1J543-8-8	HOSE END,90° FEMALE SWIVEL,SEAL LOK	48890	4 S5OLO-S	BRANCH TEE,STRAIGHT THREAD TO ORFS
48826	1J743-8-8	HOSE END,45° FEMALE SWIVEL,SEAL LOK	48891	4 S6LO-S	BRANCH TEE,SWIVEL NUT TO ORFS
48827	1J943-8-8	HOSE END,90° FEMALE SWIVEL,SEAL LOK			
48828	1JC43-10-8	HOSE END,FEMALE SWIVEL,SEAL LOK			
48829	1JS43-10-8	HOSE END,FEMALE SWIVEL,SEAL LOK			
48830	1J743-10-8	HOSE END,45° FEMALE SWIVEL,SEAL LOK			
48831	1J943-10-8	HOSE END,90° FEMALE SWIVEL,SEAL LOK			
48833	1JC43-10-10	HOSE END,FEMALE SWIVEL,SEAL LOK			
48834	1J943-10-10	HOSE END,90° FEMALE SWIVEL,SEAL LOK			
48835	1JS43-10-12	HOSE END,FEMALE SWIVEL,SEAL LOK			
48836	1JC43-12-8	HOSE END,FEMALE SWIVEL,SEAL LOK			
48837	1JS43-12-8	HOSE END,FEMALE SWIVEL,SEAL LOK			
48838	1J743-12-8	HOSE END,45° FEMALE SWIVEL,SEAL LOK			
48839	1J943-12-8	HOSE END,90° FEMALE SWIVEL,SEAL LOK			
48840	1J943-12-10	HOSE END,90° FEMALE SWIVEL,SEAL LOK			
48841	1JC43-12-12	HOSE END,FEMALE SWIVEL,SEAL LOK			
48842	1JO43-12-12	HOSE END,MALE,SEAL LOK			
48843	1J143-12-12	HOSE END,90° FEMALE SWIVEL,SEAL LOK			
48844	1J543-12-12	HOSE END,90° FEMALE SWIVEL,SEAL LOK			
48845	1J743-12-12	HOSE END,45° FEMALE SWIVEL,SEAL LOK			
48846	1J943-12-12	HOSE END,90° FEMALE SWIVEL,SEAL LOK			

Fitting Cross References (Continued)

Genie PN	Parker PN	Description	Genie PN	Parker PN	Description
48892	6 C6LO-S	ELBOW,90°,SWIVEL NUT ORFS	48938	8 R6LO-S	RUN TEE,SWIVEL NUT,ORFS
48893	6 F5OHAO-S	UNION,STRAIGHT THREAD	48939	8 S6LO-S	BRANCH TEE,SWIVEL NUT TO ORFS
48894	8 WLO-WLNL-S	UNION,BULKHEAD,ORFS	48940	8 WJLO-WLNL-S	RUN TEE, BULKHEAD,ORFS
48895	DT-370-MSMO-5	VALVE,CHECK	48941	8-4 TRLO-S	REDUCER,TUBE END TO SWIVEL,ORFS
48896	6 JLO-S	UNION,TEE,ORFS	48942	8-6 C5OLO-S	ELBOW,90°,STRAIGHT THREAD TO ORFS
48897	DT-750-MSMS-5	VALVE,CHECK	48943	8-6 F5OLO-S	CONNECTOR,STRAIGHT THREAD TO ORFS
48898	DT-750-MOMS-5	VALVE,CHECK	48944	8-8 FLO-S	CONNECTOR,MALE PIPE TO ORFS
48899	DT-620-MOMS-5	VALVE,CHECK	48945	8 FTX-S	CONNECTOR,MALE PIPE TO FLARE TUBE
48900	4-6 F5OLO-SW/.035	CONNECTOR,STRAIGHT THREAD TO ORFS, W/.035 ORI	48946	8-10 F5OLO-S	CONNECTOR,STRAIGHT THREAD TO ORFS
48902	16-1 AOE4G-S	ELBOW,90° LONG,FEMALE PIPE TO STRAIGHT THREAD	48947	8-12 C5OLO-S	ELBOW,90°,STRAIGHT THREAD TO ORFS
48903	1 FF-S	NIPPLE,PIPE	48948	8-12 F5OLO-S	CONNECTOR,STRAIGHT THREAD TO ORFS
48904	4 C5OLO-S	ELBOW,90°,STRAIGHT THREAD TO ORFS	48949	8-16 F5OLO-S	CONNECTOR,STRAIGHT THREAD TO ORFS
48905	4 F5OLO-S	CONNECTOR,STRAIGHT THREAD TO ORFS	48950	10 C5OLO-S	ELBOW,90°,STRAIGHT THREAD TO ORFS
48906	4 R5OLO-S	RUN TEE,STRAIGHT THREAD	48951	10 CC5OLO-S	ELBOW,90° LONG,STRAIGHT THREAD TO ORFS
48907	4 V5OLO-S	ELBOW,45°,STRAIGHT THREAD TO ORFS	48952	10 F5OLO-S	CONNECTOR,STRAIGHT THREAD TO ORFS
48908	4 R6LO-S	RUN TEE,SWIVEL NUT,ORFS	48953	10 R5OLO-S	RUN TEE,STRAIGHT THREAD
48909	4 WJLO-WLNL-S	RUN TEE, BULKHEAD,ORFS	48954	10 S5OLO-S	BRANCH TEE,STRAIGHT THREAD TO ORFS
48910	4 GTX-S W/.030	CONNECTOR,FEMALE PIPE TO FLARE TUBE	48955	10 R6LO-S	RUN TEE,SWIVEL NUT,ORFS
48911	4-6 C5OLO-S	ELBOW,90°,STRAIGHT THREAD TO ORFS	48956	10-4 TRLO-BL-S	REDUCER,TUBE END TO SWIVEL,ORFS
48912	4-6 F5OLO-S	CONNECTOR,STRAIGHT THREAD TO ORFS	48957	10-6 TRLO-BL-S	REDUCER,TUBE END TO SWIVEL,ORFS
48913	4-6 F5OLO-SW/.030	CONNECTOR,STRAIGHT THREAD TO ORFS, W/.030 ORI	48958	10-12 F5OLO-S	CONNECTOR,STRAIGHT THREAD TO ORFS
48914	4-8 F5OLO-S	CONNECTOR,STRAIGHT THREAD TO ORFS	48959	12 C5OLO-S	ELBOW,90°,STRAIGHT THREAD TO ORFS
48915	6 C5OLO-S	ELBOW,90°,STRAIGHT THREAD TO ORFS	48960	12 F5OLO-S	CONNECTOR,STRAIGHT THREAD TO ORFS
48916	6 F5OLO-S	CONNECTOR,STRAIGHT THREAD TO ORFS	48961	12 R5OLO-S	RUN TEE,STRAIGHT THREAD
48917	6 FF5OLO-S	CONNECTOR,LONG,STRAIGHT THREAD TO ORFS	48962	12 S5OLO-S	BRANCH TEE,STRAIGHT THREAD TO ORFS
48918	6 R5OLO-S	RUN TEE,STRAIGHT THREAD	48963	12 V5OLO-S	ELBOW,45°,STRAIGHT THREAD TO ORFS
48919	6 S5OLO-S	BRANCH TEE,STRAIGHT THREAD TO ORFS	48964	12 R6LO-S	RUN TEE,SWIVEL NUT,ORFS
48920	6 V5OLO-S	ELBOW,45°,STRAIGHT THREAD TO ORFS	48965	12 CLO-S	ELBOW,90°,MALE PIPE TO ORFS
48921	6 FLO-S	CONNECTOR,MALE PIPE TO ORFS	48966	12 FLO-S	CONNECTOR,MALE PIPE TO ORFS
48922	6-6 FLO-S	CONNECTOR,MALE PIPE TO ORFS	48967	12 JLO-S	UNION TEE,ORFS
48923	6 P5ON-S	PLUG,STRAIGHT THREAD	48968	12 WLO-WLNL-S	UNION,BULKHEAD,ORFS
48925	6 WELO-S	UNION,90° BULKHEAD,ORFS	48969	12 WJLO-WLNL-S	RUN TEE, BULKHEAD,ORFS
48926	6-4 C5OLO-S	ELBOW,90°,STRAIGHT THREAD TO ORFS	48970	12 WELO-WLNL-S	UNION,90° BULKHEAD W/NUT,ORFS
48927	6-4 F5OLO-S	CONNECTOR,STRAIGHT THREAD TO ORFS			
48928	6-4 V5OLO-S	ELBOW,45°,STRAIGHT THREAD TO ORFS			
48929	6-8 C5OLO-S	ELBOW,90°,STRAIGHT THREAD TO ORFS			
48930	6-8 F5OLO-S	CONNECTOR,STRAIGHT THREAD TO ORFS			
48931	6-10 F5OLO-S	CONNECTOR,STRAIGHT THREAD TO ORFS			
48932	8 C5OLO-S	ELBOW,90°,STRAIGHT THREAD TO ORFS			
48933	8 F5OLO-S	CONNECTOR,STRAIGHT THREAD TO ORFS			
48934	8 FF5OLO-S	CONNECTOR,LONG,STRAIGHT THREAD TO ORFS			
48935	8 R5OLO-S	RUN TEE,STRAIGHT THREAD			
48936	8 S5OLO-S	BRANCH TEE,STRAIGHT THREAD TO ORFS			
48937	8 V5OLO-S	ELBOW,45°,STRAIGHT THREAD TO ORFS			

Fitting Cross References (Continued)

Genie PN	Parker PN	Description	Genie PN	Parker PN	Description
48971	12 G5G5JG5-S	TEE,FEMALE STRAIGHT THREAD	49612	PKT02586	O-RING KIT (ORFS FITTINGS)
48972	12 XHL6-S	ADAPTER, 37° MALE TO SWIVEL ORFS	49613	PKT06276	PLUG AND CAP KIT-SERVICE,ORFS
48973	12-1/2 F5OG-S	ADAPTER,FEMALE PIPE TO STRAIGHT THREAD	49728	10143-12-12	HOSE END, MALE PIPE
48974	12-10 C5OLO-S	ELBOW,90°,STRAIGHT THREAD TO ORFS	49729	16-1 F5OG-S	ADAPTER,FEMALE PIPE TO STRAIGHT THREAD
48975	12-10 F5OLO-S	CONNECTOR,STRAIGHT THREAD TO ORFS	49814	12-8 FLO-S	CONNECTOR,MALE PIPE TO ORFS
48976	12-16 C5OLO-S	ELBOW,90°,STRAIGHT THREAD TO ORFS	49829	DT-500-MOMF-5	VALVE,CHECK
48977	12-16 F5OLO-S	CONNECTOR,STRAIGHT THREAD TO ORFS	49831	881-12	HOSE,3/4 INCH ID
48978	12-16 V5OLO-S	ELBOW,45°,STRAIGHT THREAD TO ORFS	49834	16 JLO-S	UNION TEE,ORFS
48980	12-16 FLO-S	CONNECTOR,MALE PIPE TO ORFS	49838	12-8 TRLO-BL-S	REDUCER,TUBE END TO SWIVEL,ORFS
48983	16 C5OLO-S	ELBOW,90°,STRAIGHT THREAD TO ORFS	49840	8 JLO-S	UNION TEE,ORFS
48984	16 F5OLO-S	CONNECTOR,STRAIGHT THREAD TO ORFS	49844	10-8 TRLO-BL-S	REDUCER,TUBE END TO SWIVEL,ORFS
48985	16 V5OLO-S	ELBOW,45°,STRAIGHT THREAD TO ORFS	49854	8 P5ON-S	PLUG,STRAIGHT THREAD
48986	16 FLO-S	CONNECTOR,MALE PIPE TO ORFS	49855	1JC43-16-12	HOSE END,FEMALE SWIVEL,SEAL LOK
48988	16 CD45-S	ELBOW,45°,MALE TO FEMALE PIPE	49859	4 P5ON-S	PLUG,STRAIGHT THREAD
48989	12 CD45-S	ELBOW,45°,MALE TO FEMALE PIPE	49861	4 FF5OLO-S	CONNECTOR,LONG,STRAIGHT THREAD TO ORFS
48990	8 CD45-S	ELBOW,45°,MALE TO FEMALE PIPE	49867	12-3/4 F5OG-S	ADAPTER,FEMALE PIPE TO STRAIGHT THREAD
48991	16-12 FLO-S	CONNECTOR,MALE PIPE TO ORFS	51152	6 R6X-S	RUN TEE,SWIVEL NUT,ORFS
48992	16-12 V5OLO-S	ELBOW,45°,STRAIGHT THREAD TO ORFS	51153	6-4 TRTX-S	REDUCER,TUBE END TO SWIVEL,ORFS
48993	XV501-12	BALL VALVE	51154	4-4 GTX	CONNECTOR,FEMALE PIPE TO FLARE TUBE
48994	XV501-16	BALL VALVE	51264	881-12	HOSE,3/4 INCH ID
48995	XV510P-12	BALL VALVE	51265	8 JLO-S	UNION TEE,ORFS
48996	XV510P-16	BALL VALVE	51508	6 BTX-S	NUT,FLARE TUBE
48997	PD341	DIAGNOSTIC NIPPLE, STRAIGHT THREAD	51580	12-8 TRLO-BL-S	TUBE END REDUCER,ORFS
48998	PD 361	DIAGNOSTIC NIPPLE, STRAIGHT THREAD	51628	6 R6X-S	RUN TEE,SWIVEL NUT,ORFS
48999	DT-500-MOMS-5	VALVE,CHECK	51735	3/8 HHP	PLUG,PIPE THREAD
49201	10 V5OLO-S	ELBOW,45°,STRAIGHT THREAD TO ORFS	51803	1J943-6-8	HOSE END,90° FEMALE SWIVEL,SEAL LOK
49202	1JC43-12-10	HOSE END,FEMALE SWIVEL,SEAL LOK	53023	125HBL-5-4	FITTING,HOSE BARB TO MALE PIPE
49203	10-8 V5OLO-S	ELBOW,45°,STRAIGHT THREAD TO ORFS	53497	PKT02585	O-RING KIT
49205	6 F5OHAO-S	UNION,STRAIGHT THREAD	53499	1JC71-16-16	HOSE END,FEMALE SWIVEL,SEAL LOK
49207	PD34BTL	DIAGNOSTIC NIPPLE,SEAL-LOK SWIVEL	53500	3-904	O-RING,STRAIGHT THREAD,-4
49209	8M18F870MX-S	CONNECTOR,METRIC,STRAIGHT THREAD TO FLARE TUBE	53501	3-906	O-RING,STRAIGHT THREAD,-6
49212	8 WGTX-WLN-S	CONNECTOR,BULKHEAD,FEMALE PIPE TO FLARE TUBE	53502	3-908	O-RING,STRAIGHT THREAD,-8
49213	30682-8-8	HOSE END,FEMALE SWIVEL,JIC	53503	3-910	O-RING,STRAIGHT THREAD,-10
49216	831-8	HOSE,1/2 INCH ID			
49217	33982-8-8	HOSE END,90° FEMALE SWIVEL,JIC			
49219	PS-B-35	SLEEVE,NYLON,2.19" ID			
49418	4-6 V5OLO-S	ELBOW,45°,STRAIGHT THREAD TO ORFS			
49511	DT370-MOMS-5	VALVE,CHECK			
49512	1 DD-S	ELBOW,90°,FEMALE PIPE			
49513	1 FF-S	NIPPLE,PIPE			
49514	10 HP5ON-S	PLUG,STRAIGHT THREAD			
49515	12-16 CLO-S	ELBOW,90°,MALE PIPE TO ORFS			
49517	6 HP5ON-S	PLUG,STRAIGHT THREAD			
49519	16-12 F5OLO-S	CONNECTOR,STRAIGHT THREAD TO ORFS			
49520	4 VTX-S	ELBOW,45°,MALE PIPE TO FLARE TUBE			
49530	16 C6LO-S	ELBOW,90°,SWIVEL NUT ORFS			

Fitting Cross References (Continued)

Genie PN	Parker PN	Description	Genie PN	Parker PN	Description
53535	3-912	O-RING, STRAIGHT THREAD, -12	61083	24 F5OLO-S	CONNECTOR, STRAIGHT THREAD TO ORFS
53536	4-PNLO-S	PLUG, TUBE END, ORFS	61086	20 R5OLO-S	RUN TEE, STRAIGHT THREAD
53537	6 PNLO-S	PLUG, TUBE END, ORFS	61090	24-20 F5OLO-S	CONNECTOR, STRAIGHT THREAD TO ORFS
53538	8 PNLO-S	PLUG, TUBE END, ORFS	61091	1J943 24-24	HOSE END, 90° FEMALE SWIVEL, SEAL LOK
53539	10 PNLO-S	PLUG, TUBE END, ORFS	61093	1J978-12-12	HOSE END, 90° FEMALE SWIVEL, JIC
53540	12 PNLO-S	PLUG, TUBE END, ORFS	61095	1JS43-20-16	HOSE END, FEMALE SWIVEL, SEAL LOK
53946	129HB-5-4	FITTING, 90° HOSE BARB TO MALE PIPE	61100	811-24	HOSE, 1 1/2 INCH ID
53951	8-1/4F50G-S	ADAPTER, FEMALE PIPE TO STRAIGHT THREAD	61130	1JS43-24-24	HOSE END, FEMALE SWIVEL, SEAL LOK
53980	6 S6LO-S	BRANCH TEE, SWIVEL NUT TO ORFS	61131	1JS78 12-12	HOSE END, FEMALE SWIVEL, SEAL LOK
54132	4 C6LO-S	ELBOW, 90°, SWIVEL NUT ORFS	61132	1J778-12-12	HOSE END, 45° FEMALE SWIVEL, JIC
54135	11343-16-16	HOSE END, MALE SWIVEL, PIPE	61152	139HB-6-4	ELBOW, 45°, BARB TO MALE PIPE
54283	8-10 C5OLO-S	ELBOW, 90°, STRAIGHT THREAD TO ORFS	61251	BV-0750	BALL VALVE
54428	8M18C870MLO-S	ELBOW, 90° METRIC, STRAIGHT THREAD TO ORFS	61259	4 CC5OLO-S	ELBOW, 90° LONG, STRAIGHT THREAD TO ORFS
54803	FS-F-16-10	SLEEVE, FIRE, .96" ID	61260	20-12 TRLO-BL	REDUCER, TUBE END TO SWIVEL, ORFS
54954	10143-2-4	HOSE END, MALE PIPE	61262	12 C6LO-S	ELBOW, 90°, SWIVEL NUT ORFS
55190	3/8 HP-S	PLUG, PIPE THREAD	61263	20 F5OHAO-S	UNION, STRAIGHT THREAD
55448	8 HLO-S	UNION, ORFS	61264	6-10 C5OLO-S	ELBOW, 90°, STRAIGHT THREAD TO ORFS
55839	6 F65OX-S	CONNECTOR, STRAIGHT THREAD TO 37° SWIVEL	61265	6 WNLO-WLNL-S	UNION, BULKHEAD 45°, ORFS
55968	10 C5OX-S	ELBOW, 90°, STRAIGHT THREAD TO FLARE TUBE	61268	4 WNLO-WLNL-S	UNION, BULKHEAD 45°, ORFS
56003	6 CC5OLO-S	ELBOW, 90° LONG, STRAIGHT THREAD TO ORFS	61269	4 WLO-WLNL-S	UNION, BULKHEAD, ORFS
56166	BV-0837	BALL VALVE, 90°	61272	12 AOEL6	ELBOW, 90°, STRAIGHT THREAD TO ORFS SWIVEL
56188	10143-8-6	HOSE END, MALE PIPE	61316	482TC-16	HOSE, 1 INCH ID
56233	2-011	O-RING, ORFS, -4	61321	6 JLO-S	UNION TEE, ORFS
56234	2-012	O-RING, ORFS, -6	61327	782-12	HOSE, 3/4 INCH ID
56235	2-014	O-RING, ORFS, -8	61328	881-24	HOSE, 1 1/2 INCH ID
56236	2-016	O-RING, ORFS, -10	61336	11943-20-24	HOSE END, 90° FLANGE HEAD
56237	2-018	O-RING, ORFS, -12	61345	12 WJLO-WLNL-S	RUN TEE, BULKHEAD, ORFS
56238	2-021	O-RING, ORFS, -16	61346	8 WNLO-WLNL-S 4	UNION, BULKHEAD 45°, ORFS
56352	6 WLNL-S	LOCKNUT, BULKHEAD	61569	33782-8-8	HOSE END, 45° FEMALE SWIVEL, JIC
56353	3J782-12-12	HOSE END, 45° FEMALE SWIVEL, SEAL LOK	61610	12 FF5OLO-S	CONNECTOR, LONG, STRAIGHT THREAD TO ORFS
56354	3J982-12-12	HOSE END, 90° FEMALE SWIVEL, SEAL LOK	61742	1/8 X 1.5 FFF	NIPPLE, PIPE
56604	10-8 F5OLO-S	CONNECTOR, STRAIGHT THREAD TO ORFS	63426	8 PNTX-S	PLUG, FLARE TUBE
56639	3JC82-10-10	HOSE END, FEMALE SWIVEL, SEAL LOK			
56640	3J982-10-10	HOSE END, 90° FEMALE SWIVEL, SEAL LOK			
56655	3JC82-8-10	HOSE END, FEMALE SWIVEL, SEAL LOK			
56676	10-8 C5OLO-S	ELBOW, 90°, STRAIGHT THREAD TO ORFS			
56776	471TC-6	HOSE, 3/8 INCH ID			
56777	471TC-8	HOSE, 1/2 INCH ID			
56789	811-16	HOSE, 1 INCH ID			
57884	3/8 FF	NIPPLE, PIPE			
59335	6 FNL-S	CAP, TUBE END			
59342	4 FNL-S	CAP, TUBE END			
59371	8 HP5ON-S	PLUG, STRAIGHT THREAD			
60653	BV-0751	BALL VALVE			
60806	125HB-3-4	FITTING, HOSE BARB TO MALE PIPE			
61064	5-1/4 F50G-S	ADAPTER, FEMALE PIPE TO STRAIGHT THREAD			
61079	4 WELO-WLNL-S	UNION, 90° BULKHEAD W/NUT, ORFS			
61080	6 WLO-WLNL-S	UNION, BULKHEAD, ORFS			

Fitting Cross References (Continued)

Genie PN	Parker PN	Description	Genie PN	Parker PN	Description
64271	4 WLO-WLNL-S	UNION,BULKHEAD,ORFS	75631	801-6	HOSE,3/8 INCH ID
64272	6 WLO-WLNL-S	UNION,BULKHEAD,ORFS	75654	20 F5OLO-S	CONNECTOR,STRAIGHT THREAD TO ORFS
65776	8 F65OL-S	CONNECTOR,STRAIGHT THREAD TO ORFS SWIVEL	75655	1J943-20-20	HOSE END,90° FEMALE SWIVEL,SEAL LOK
65880	6001012	O-RING KIT	75656	881-20	HOSE,1-1/4 INCH ID
66154	6 WTX-WLNS	UNION,BULKHEAD,FLARE TUBE	75971	8 F5OHAO-S	UNION,STRAIGHT THREAD
66155	6 WETX-S	UNION,BULKHEAD 90°,FLARE TUBE	77307	1JB43-8-8	HOSE END,BULKHEAD,SEAL LOK
66156	6 WLN-S	BULKHEAD LOCKNUT	77309	8 WLNL-S	BULKHEAD LOCKNUT
66389	6-8 F5OX-S	CONNECTOR,STRAIGHT THREAD TO FLARE TUBE	77379	8M18C87OMX-S	ELBOW,90° METRIC,STRAIGHT THREAD TO FLARE TUBE
66392	6 R5OX-S	RUN TEE,STRAIGHT THREAD	77703	3J982-8-8	HOSE END,90° FEMALE SWIVEL,SEAL LOK
66396	811-12	HOSE,3/4 INCH ID	77711	801-10	HOSE,5/8 INCH ID
66829	H3174PP	CLAMP,TUBE	77758	12 WNLO-WLNL-S	UNION,BULKHEAD 45°,ORFS
67217	4 KLO-S	UNION,CROSS,ORFS	78091	6 C6X-S	ELBOW,90°,SWIVEL NUT TO FLARE TUBE
67339	10-6 F5OX-S	CONNECTOR,STRAIGHT THREAD TO FLARE TUBE	78684	30582-8-8B	HOSE END,PUSH LOK,MALE
67357	13943-8-6	HOSE END,90° FEMALE SWIVEL,JIC	78852	549-2	HOSE,1/8 INCH ID
67358	10 HP5ON-S	PLUG,STRAIGHT THREAD	78855	10657-4-2	HOSE END,FEMALE SWIVEL,JIC
67371	12 S6LO-S	BRANCH TEE,SWIVEL NUT TO ORFS	79138	PS-B-37	SLEEVE,NYLON,2.38" ID
67498	4 FNL-S	CAP, TUBE END	79476	1JS43-6-8	HOSE END,FEMALE SWIVEL,SEAL LOK
67906	DC-370-F0F0-5	VALVE,CHECK	79847	12-3/4 A0EG-S	ELBOW,90°,STRAIGHT THREAD TO FEMALE PIPE
69316	8 FLO-S	CONNECTOR,MALE PIPE TO ORFS	80044	8 CLO-S	ELBOW,90°,MALE PIPE TO ORFS
69333	H3174PP	CLAMP,HYDRAULIC HOSE	80502	8 F5OX-S	CONNECTOR,STRAIGHT THREAD TO FLARE TUBE
69503	4 F65OX-S	CONNECTOR,STRAIGHT THREAD TO 37° SWIVEL	80503	8 C5OX-S	ELBOW,90°,STRAIGHT THREAD TO FLARE TUBE
69775	8 FNL-S	CAP, TUBE END	81010	AS-B-27	SLEEVE,NYLON,1.63" ID
71038	1/4X1/4F3HG-S	ADAPTER,CONVERSION	83052	821-6	HOSE,3/8 INCH ID
71196	12-8 F5OLO-S	CONNECTOR,STRAIGHT THREAD TO ORFS	83053	821-8	HOSE,1/2 INCH ID
71383	1/4 CD45-S	ELBOW,45°,MALE TO FEMALE PIPE	83054	821-12	HOSE,3/4 INCH ID
72270	12FNL-S	CAP, TUBE END	83055	30682-6-6	HOSE END,FEMALE SWIVEL,JIC
73436	60C-4	SLEEVE,COMPRESSION	83056	30682-12-12	HOSE END,FEMALE SWIVEL,JIC
73437	61C-4	NUT,COMPRESSION	83057	33782-6-6	HOSE END,45° FEMALE SWIVEL,JIC
73438	33482-4-4B	HOSE END,PUSH LOK,MALE	83058	33982-6-6	HOSE END,90° FEMALE SWIVEL,JIC
73767	1CD-S	ELBOW,90°,MALE TO FEMALE PIPE	83060	33982-12-12	HOSE END,90° FEMALE SWIVEL,JIC
73768	20-16-F5OG5-S	ADAPTER,FEMALE PIPE TO STRAIGHT THREAD	83063	13743-4-4	HOSE END,45° FEMALE SWIVEL,JIC
73769	16-20 F5OLO-S	CONNECTOR,STRAIGHT THREAD TO ORFS			
74660	6-8 F42EDMLO-S	CONNECTOR,MALE BSPP TO ORFS			
74661	8-8 F42EDMLO-S	CONNECTOR,MALE BSPP TO ORFS			
75007	4 FLO-S	CONNECTOR,MALE PIPE TO ORFS			
75008	1/8 HP-S	PLUG,PIPE THREAD			
75014	1/2 HP-S	PLUG,PIPE THREAD			
75042	8 WELO-WLNL-S	UNION,90° BULKHEAD W/NUT,ORFS			
75043	3/4 FF-S	NIPPLE,PIPE			
75254	24 F5OHAO-S	UNION,STRAIGHT THREAD			
75255	12 F5OHAO-S	UNION,STRAIGHT THREAD			
75256	XV506P-24	BALL VALVE			
75574	4 WLNL-S	BULKHEAD LOCKNUT			
75612	8 WJLO-WLNL-S	RUN TEE, BULKHEAD,ORFS			
75613	12-8 F5OG5-S	ADAPTER,FEMALE PIPE TO STRAIGHT THREAD			
75614	8 CC5OLO-S	ELBOW,90° LONG,STRAIGHT THREAD TO ORFS			
75628	1JB43-4-4	HOSE END,BULKHEAD,SEAL LOK			

Fitting Cross References (Continued)

Genie PN	Parker PN	Description	Genie PN	Parker PN	Description
83064	13743-8-8	HOSE END,45° FEMALE SWIVEL,JIC	89449	6 WJLO-WLNL-S	RUN TEE, BULKHEAD,ORFS
83065	13743-12-12	HOSE END,45° FEMALE SWIVEL,JIC	89489	4 WJMLO-S	BRANCH TEE,BULKHEAD,ORFS
83066	13943-8-8	HOSE END,90° FEMALE SWIVEL,JIC	89551	1JB43-6-6	HOSE END,BULKHEAD,SEAL LOK
83067	14143-6-6	HOSE END,90° FEMALE SWIVEL,JIC	89552	1JB43-8-8	HOSE END,BULKHEAD,SEAL LOK
83068	14143-8-8	HOSE END,90° FEMALE SWIVEL,JIC	89593	20 C5OLO-S	ELBOW,90°,STRAIGHT THREAD TO ORFS
83069	14143-12-12	HOSE END,90° FEMALE SWIVEL,JIC	94161	8-8 CLO-S	ELBOW,90°,MALE PIPE TO ORFS
83070	772-8	HOSE,1/2 INCH ID	94358	351TC-12	HOSE,3/4 INCH ID
83071	10671-8-8	HOSE END,FEMALE SWIVEL,JIC	94418	20 FLO-S	CONNECTOR,MALE PIPE TO ORFS
83072	10671-12-12	HOSE END,FEMALE SWIVEL,JIC	96358	12 TX-S	SLEEVE,FLARE TUBE
83073	13771-8-8	HOSE END,45° FEMALE SWIVEL,JIC	96359	12 BTX-S	NUT,FLARE TUBE
83074	13771-12-12	HOSE END,45° FEMALE SWIVEL,JIC	96397	8 F5OX-S	CONNECTOR,STRAIGHT THREAD TO FLARE TUBE
83075	13971-8-8	HOSE END,90° FEMALE SWIVEL,JIC	96398	12-8 F5OX-S	CONNECTOR,STRAIGHT THREAD TO FLARE TUBE
83076	13971-12-12	HOSE END,90° FEMALE SWIVEL,JIC	96402	10343-6-6	HOSE END,MALE,JIC
83077	14171-8-8	HOSE END,90° FEMALE SWIVEL,JIC	96407	30382-6-6B	HOSE END,MALE,JIC
83078	14171-12-12	HOSE END,90° FEMALE SWIVEL,JIC			
83080	13943-16-16	HOSE END,90° FEMALE SWIVEL,JIC			
83103	10671-16-12	HOSE END,FEMALE SWIVEL,JIC			
83104	10671-10-12	HOSE END,FEMALE SWIVEL,JIC			
83112	1JC71-8-8	HOSE END,FEMALE SWIVEL,SEAL LOK			
83113	1JS71-16-12	HOSE END,FEMALE SWIVEL,SEAL LOK			
83114	1JS71-10-12	HOSE END,FEMALE SWIVEL,SEAL LOK			
83115	1J971-8-8	HOSE END,90° FEMALE SWIVEL,SEAL LOK			
83116	1J171-8-8	HOSE END,90° FEMALE SWIVEL,SEAL LOK			
83117	1J771-8-8	HOSE END,45° FEMALE SWIVEL,SEAL LOK			
83127	1J543-6-8	HOSE END,90° FEMALE SWIVEL,JIC			
83128	1JC43-6-8	HOSE END,FEMALE SWIVEL,SEAL LOK			
87033	12-6 TRLO-S	REDUCER,TUBE END TO SWIVEL,ORFS			
87034	3J782-8-8	HOSE END,45° FEMALE SWIVEL,SEAL LOK			
87172	12 HP5ON-S	PLUG,STRAIGHT THREAD			
87185	8 WNLO-WLNL-S	UNION,BULKHEAD 45°,ORFS			
87246	4 C6X-S	ELBOW,90°,SWIVEL NUT TO FLARE TUBE			
87679	6 LHP-S	FLANGE SEAL FITTING, MALE			
87681	6PLS N0702	BONDED SEAL			
88100	SR88100	ADAPTER,OIL DRAIN,GM 3.0L			
88311	1JS43-20-20	HOSE END,FEMALE SWIVEL,SEAL LOK			
88353	20 V5OLO-S	ELBOW,45°,STRAIGHT THREAD TO ORFS			
88474	10081-20	Crimp Shell, 1.25"			
88475	1988-20-24	HOSE END,90° FLANGE HEAD			
88476	JS88-24-24	HOSE END,FEMALE SWIVEL,SEAL LOK			
88477	1JC88-20-20	HOSE END,FEMALE SWIVEL,SEAL LOK			
88478	811-20	HOSE,11/4 INCH ID			
88936	20-16 F5OLO-S	CONNECTOR,STRAIGHT THREAD TO ORFS			
88937	20-16 FLO-S	CONNECTOR,MALE PIPE TO ORFS			
88938	1JC88-16-16	HOSE END,FEMALE SWIVEL,SEAL LOK			
88939	1J988-16-16	HOSE END,90° FEMALE SWIVEL,ORFS			
88940	811-16	HOSE,1 INCH ID			
88944	1J988-20-20	HOSE END,90° FEMALE SWIVEL,ORFS			
89403	16 VLO-S	ELBOW,45°,MALE PIPE TO ORFS			

California Proposition 65



WARNING

Operating, servicing and maintaining this equipment can expose you to chemicals including engine exhaust, carbon monoxide, phthalates, and lead, which are known to the State of California to cause cancer and birth defects or other reproductive harm. These chemicals can be emitted from or contained in other various parts and systems, fluids and some component wear by-products. To minimize exposure, avoid breathing exhaust, do not idle the engine except as necessary, service your equipment and vehicle in a well-ventilated area and wear gloves or wash your hands frequently when servicing your equipment or vehicle and after operation. For more information go to www.P65Warnings.ca.gov/passenger-vehicle.

Breathing diesel engine exhaust exposes you to chemicals known to the State of California to cause cancer and birth defects or other reproductive harm.

- Always start and operate the engine in a well-ventilated area.
- If in an enclosed area, vent the exhaust to the outside.
- Do not modify or tamper with the exhaust system.
- Do not idle the engine except as necessary.

For more information go to www.P65warnings.ca.gov/diesel.

Parts Manual

Z-45/25 IC

Z-45/25J IC

*from SN Z452507A-3401 1 to Z452513A-47000
from SN Z452507B-101 to Z452513B-3300*

Part No.
147545

Rev C3

Genie
A TEREX BRAND